



**-powerBreaker-**  
H22MPA - 30mA trip

# RESIDUAL CURRENT DEVICES

# RCD Sockets - Unswitched

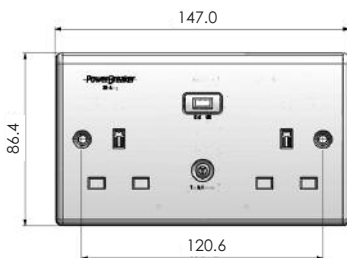


- Mechanically latched (does not need resetting after a power loss)
  - High intensity LED power on indicator
  - Twin earth terminals
  - Conforms to BS 7288:1990 Amd 1, BS 1363-2:1995 Amd 1-3
- EMC Emissions - EN 55014-1:2006 & EN 55014-1:2000 inc A1:2001 & A2:2002  
 EMC Immunity - EN 61543:1995 inc A11:2003, A12:2005 & A2:2006

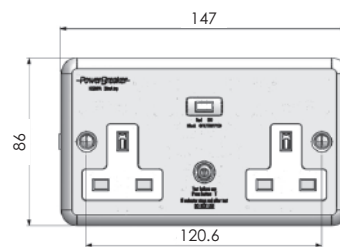
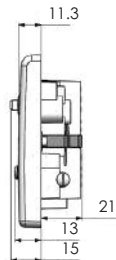
### Technical Data

Rated voltage	230V AC 50Hz
Max operating current	13A (13A inductive)
Rated trip current	30mA
Typical trip speed	Less than 20mS (typical)
RCD contact break	Double pole
Latching	Mechanical, no need to reset after power loss
Responsive to	Pulsating DC earth faults

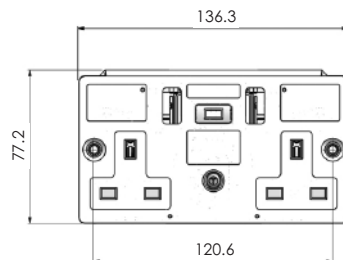
	PART NO.	DESCRIPTION	COLOUR
	<b>H22WPSA-C</b>	RCD Twin Socket Slim profile Scratch resistant urea front plate Fits standard 25mm back box	White
	<b>H22SPA</b>	Moulded front plate Mounting RCD Twin Socket Product is ready for your choice of front plate	White
	<b>H22MPA-C</b>	RCD Twin Socket Complete with metal backbox	Metalclad



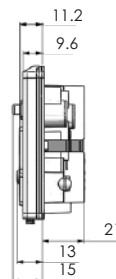
H22WPSA-C



H22MPA-C



H22SPA



The K range RCD switched sockets are available in single or twin outlets, in white or metalclad with mechanical latching. These sockets replace standard sockets to provide added protection against electrocution in commercial, domestic and industrial environments.

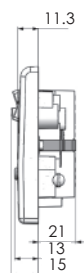
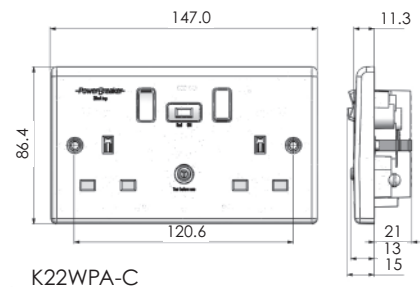
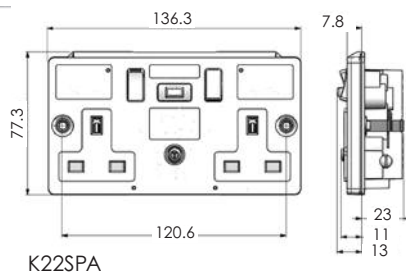
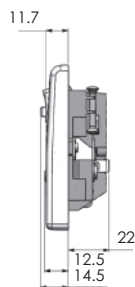
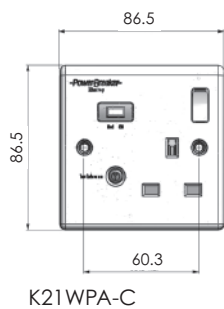


- Mechanically latched (does not need resetting after a power loss)
  - High intensity LED power on indicator
  - Twin sockets fitted with twin earth terminals
  - Conforms to BS 7288:1990, Amd 1 and BS 1363-2:1995 Amd 1-3
- EMC Emissions - EN 55014-1:2006 & EN 55014-1:2000 inc A1:2001 & A2:2002  
 EMC Immunity - EN 61543:1995 inc A11:2003, A12:2005 & A2:2006

**Technical Data**

Rated voltage	230V AC 50Hz
Max operating current	13A (13A inductive)
Rated trip current	30mA
Typical trip speed	Less than 20mS (typical)
RCD contact break	Double pole
Latching	Mechanical, no need to reset after power loss
Responsive to	Pulsating DC earth faults

PART NO.	DESCRIPTION	COLOUR	
<b>K21WPA-C</b>	RCD Single Switched Socket Slim profile Moulded front plate Fits standard 25mm back box	White	
<b>K22WPA-C</b>	RCD Twin Socket Slim profile Moulded front plate Fits standard 25mm back box	White	
<b>K22SPA</b>	Panel Mounting RCD Twin Switched Socket Moulded front plate Product is ready for your choice of front plate	White	



# RCD Sockets - Switched ~~PowerBreaker~~

THE FIRST SINCE 1975





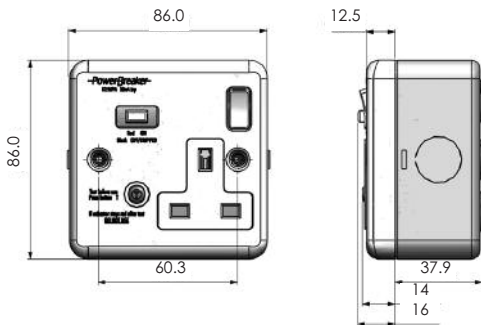
The K range RCD switched sockets are available in single or twin outlets, in white or metalclad with mechanical latching. These sockets replace standard sockets to provide added protection against electrocution in commercial, domestic and industrial environments.

- Mechanically latched (does not need resetting after a power loss)
- High intensity LED power on indicator
- Twin sockets fitted with twin earth terminals
- Conforms to BS 7288:1990, Amd 1 and BS 1363-2:1995 Amd 1-3  
EMC Emissions - EN 55014-1:2006 & EN 55014-1:2000 inc A1:2001 & A2:2002  
EMC Immunity - EN 61543:1995 inc A11:2003, A12:2005 & A2:2006

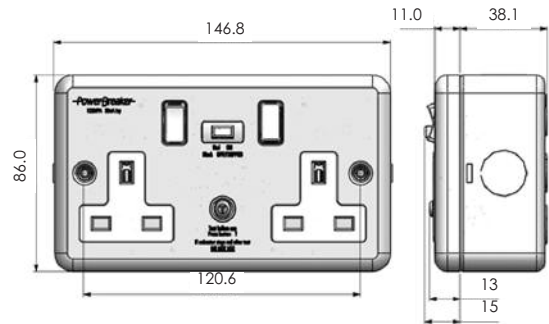
### Technical Data

Rated voltage	230V AC 50Hz
Max operating current	13A (13A inductive)
Rated trip current	30mA
Typical trip speed	Less than 20mS (typical)
RCD contact break	Double pole
Latching	Mechanical, no need to reset after power loss
Responsive to	Pulsating DC earth faults

	PART NO.	DESCRIPTION	COLOUR
	<b>K21MPA-C</b>	RCD Single Switched Socket Complete with metal backbox	Metalclad
	<b>K22MPA-C</b>	RCD Twin Switched Socket Complete with metal backbox	Metalclad



K21MPA-C



K22MPA-C



Suitable for use with all electrical appliances, in public washrooms and areas where water is present, plus fixed electric appliances such as domestic machines in the home, cold drink dispensers and hotel hairdryers.

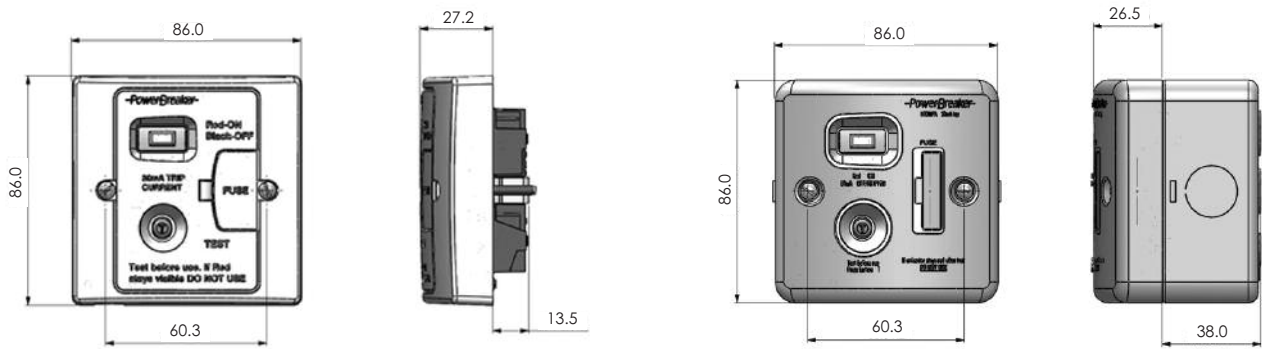
- Mechanically latched (does not need resetting after a power loss)
  - High intensity LED power on indicator
  - Mechanical flag trip indicator
  - Integral cord outlet and cable clamp
  - Fuse holder can be locked out for safety
  - Twin earth terminals
  - Conforms to BS 1363-4:1995 Amd 1, 2, 3 and BS 7288:1990 Amd 1
- EMC Emissions - EN 55014-1:2006 & EN 55014-1:2000 inc A1:2001 & A2:2002  
 EMC Immunity - EN 61543:1995 inc A11:2003, A12:2005 & A2:2006



**Technical Data**

Rated voltage	230V AC 50Hz
Max operating current	13A (13A inductive)
Rated trip current	30mA
Typical trip speed	Less than 20mS (typical)
RCD contact break	Double pole
Latching	Mechanical, no need to reset after power loss
Responsive to	Pulsating DC earth faults

PART NO.	DESCRIPTION	Colour	
<b>H92WPA-C</b>	RCD Spur Scratch resistant urea front plate Fits 25mm standard back box	White	
<b>H92MPA-C</b>	RCD Spur Complete with metal back box	Metalclad	



H92WPA-C

H92MPA-C

# RCD Plugs & Adaptors



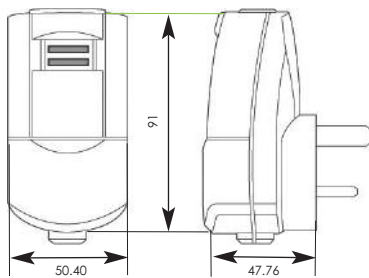
All PowerBreaker RCD plugs and adaptors feature -

- Electrically latched (needs resetting after power loss)
- Single button test/reset operation
- Large easy to see trip indicator
- Conforms to BS 7071, BS 1363

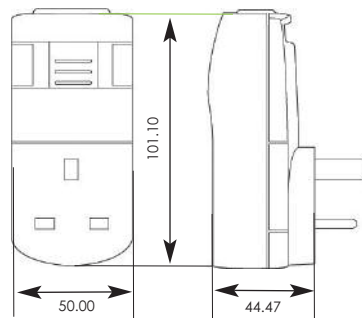
**Technical Data**

Rated voltage	230V AC 50Hz
Max operating current	13A (3A inductive)
Rated trip current	30mA
Typical trip speed	<40mS
RCD contact break	Double pole
Latching	Electrical. Needs resetting after power loss
Responsive to	Pulsating DC earth faults

	PART NO.	DESCRIPTION	COLOUR
	<b>J72G-C</b>	RCD Plug	Grey
	<b>J02-C</b>	RCD Adaptor	White



J72G-C



J02-C

The PowerBreaker J62 provides added personal protection against electrocution when using electrical equipment in adverse conditions. The unit has double pole protection and is re-wireable. For use in adverse conditions, such as building sites, plant applications, industrial manufacturing, where water presents a danger and rough handling is expected. Also trips on loss of power supply, preventing unexpected start up of equipment.

- Suitable for BS/European power supply systems
- Robust construction
- Double pole breaking
- Mechanical flag to indicate contact position
- Separate test and reset buttons
- Conforms to IEC 61540



**Technical Data**

Rated trip current	30mA
Typical trip speed	<40mS
RCD contact break	Double pole
Latching	Electrical. Needs resetting after power loss
Responsive to	Pulsating DC earth faults

PART NO.	DESCRIPTION	COLOUR	
<b>J62-T</b>	In-Line RCD Heavy Duty, IP65 Re-wirable terminals	230V AC 50Hz Max operating current 16A (3A inductive)	
<b>J62-Y</b>	In-Line RCD Heavy Duty, IP65 Re-wirable terminals	110V AC 50Hz Max operating current 16A (3A inductive)	
<b>J63-X</b>	In-Line RCD with IEC Lead Indoor use only, IP20 Fully portable	230V AC 50Hz Max operating current 10A (3A inductive)	

