

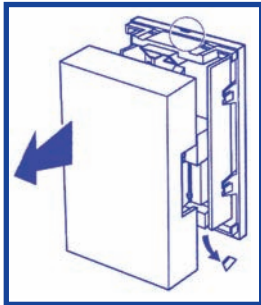
INSTRUCTIONS FOR USE DOORCHIME WITH BUILT-IN TRANSFORMER AND BELL PUSH

MODEL NUMBER: DHT01A-C

- Dual tone chime
- Powered by internal transformer
- Bellpush and woodscrews are supplied

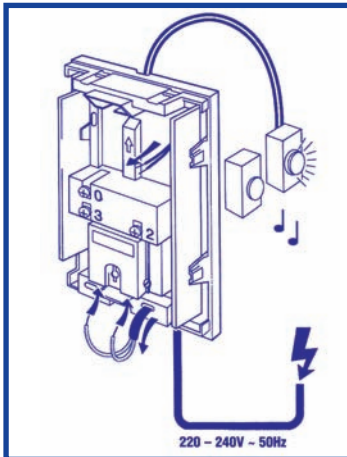
**SWITCH OFF THE MAINS AND
ISOLATE THE SUPPLY BY REMOVING THE
APPROPRIATE FUSE BEFORE STARTING
THE INSTALLATION**

Diagram 1



1. Remove front cover by unscrewing the small screw at the base of cover.

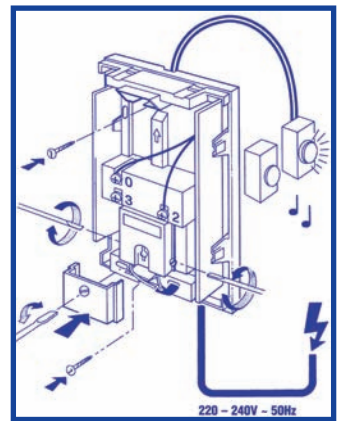
Diagram 2



2. Feed bell-push wire into top of chime base and connect to terminals 0 and 2.

3. Remove transformer cover (Dia 3).

Diagram 3



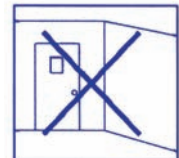
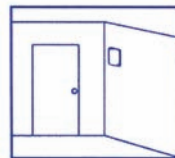
4. Feed 230V mains Supply cable into the bottom of the chime base (Dia 2)

5. Connect the Live (Brown) wire to the "L" terminal and the Neutral (Blue) wire to the "N" terminal (Dia 3)

6. Replace the transformer cover and front cover.

7. Test unit by pushing bell push.

Do not mount chime on door



**Recommended maximum overall
length of bell wire for doorchime
with built-in transformer:**

SWG 21 (0.5mm²) - 30 metres

SWG 19 (0.75mm²) - 45 metres

**PLEASE KEEP THESE
INSTRUCTIONS SAFE
FOR FUTURE REFERENCE**

GREENBROOK
ELECTRICAL PLC

West Road, Harlow, Essex
CM20 2BG

E mail gbe@greenbrook.co.uk
Web page www.greenbrook.co.uk



Issue number: 701403