

NOVA14 & NOVA22 Range - IP65, LED Circular Bulkheads



- + Opal Polycarbonate diffuser
- + Supplied with Matt Black narrow bezel
- + Conduit entry points for through wiring
- + Additional bezels are available in Matt Black complete with tamper-proof screws or a Gloss white clip on bezel
- + Range consists of Standard / Emergency / Microwave Presence Detector / Emergency with Microwave Presence Detector



Shown with White Gloss White
Clip on Bezel

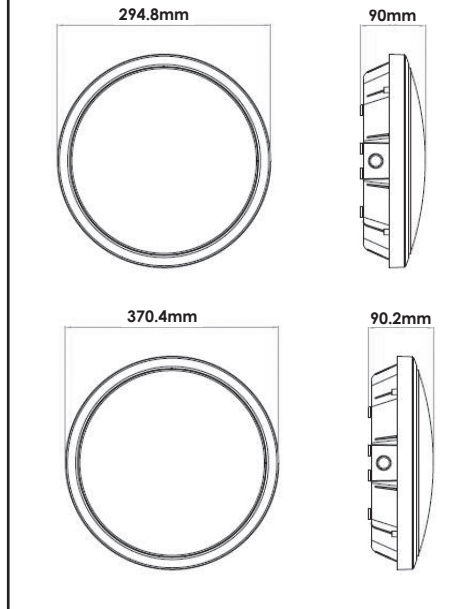
NV14WT - 330mm dia x 90mm high
NV22WT - 405mm dia x 90.2mm high



Shown with Matt Black
Tamper-proof Screws Bezel

NV14BT - 320mm dia x 90mm high
NV22BT - 395mm dia x 90.2mm high

Dimensions:



Standard	NV14	NV22
Wattage	12W	21W
Barcode	5012739650956	5012739651014
Power Rating	230V AC ~50Hz	
Class	Class II	
Running Current	300mA	500mA
Lumen Output (Lm)	1100	2200
Lumens per Watt	92	105
IP Rating	IP65	
Power Factor	>0.5	>0.9
CRI	>80	
Life Expectancy	50,000 hrs	
SDCM*	<6	
Beam Angle	120°	
Colour Temperature	4,000K	
Operating Temperature	-10°C to +40°C	
Weight	832g	1325g
Dimensions	294.8mm Diameter X 90mm high	370.4mm Diameter X 90.2mm high
Guarantee	3 Years	
Conforms To	BS EN60598-1	