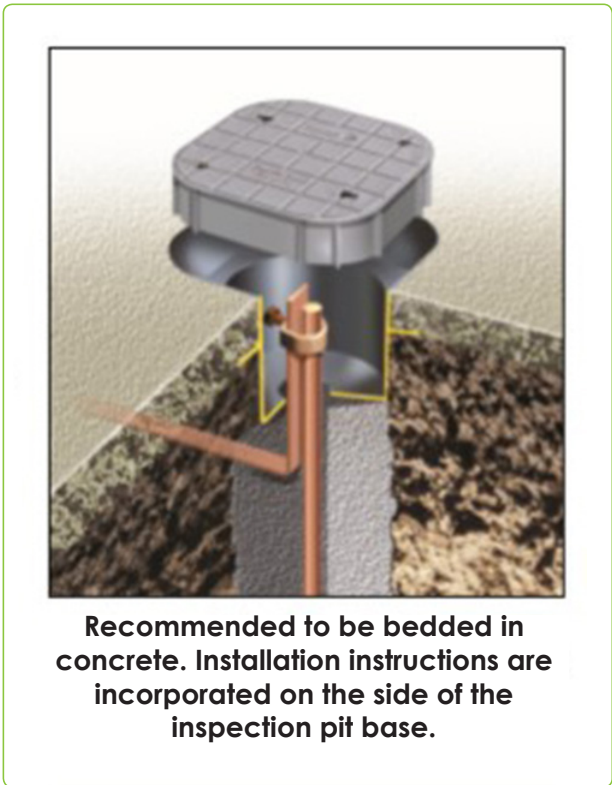
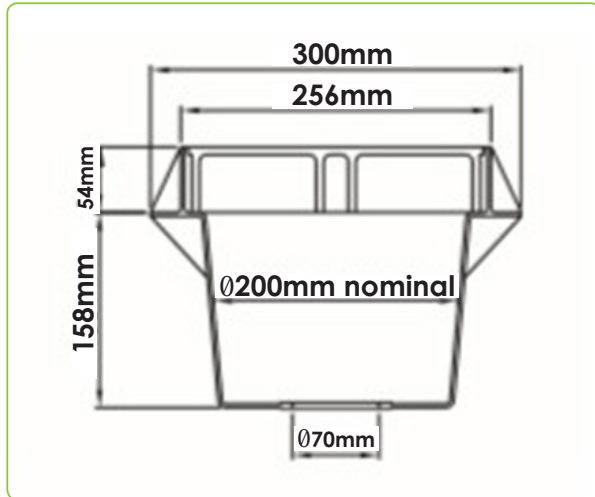


HEAVY DUTY EARTH INSPECTION PIT

NORSLO

- + High performance polymer
- + UV stable and chemical resistant
- + Supplied with hexagon bolts to secure lid
- + Stackable design for ease of storage/handling



PT205

Description	Heavy Duty Earth Pit
Pack Quantity	1
Barcode	5012739623882
Weight	1.8kg
Working Load	5,000Kg
Rod Location Hole	Central 70mm
Conforms To	BS EN 62305-3
Tested To	IEC 62561-5