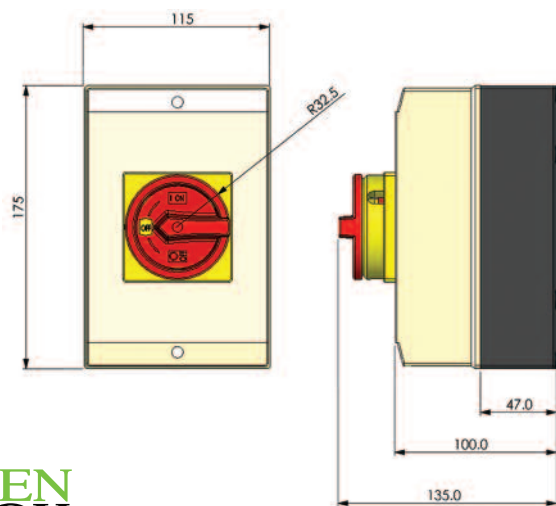
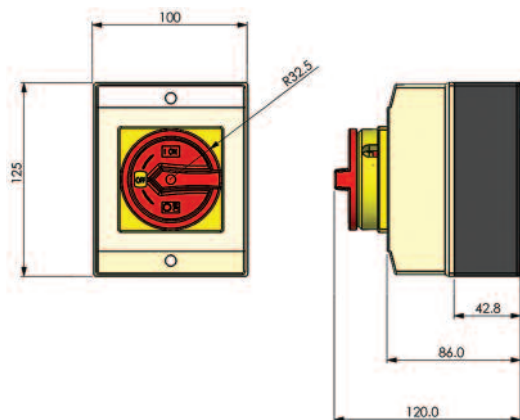


IP65 ROTARY ISOLATORS

- Red padlock control on yellow flange
- Cable knockouts for ease of installation
- Interlocking lid ensures removal in 'OFF' position only
- Handles can be padlocked
- Easy access & switch removal
- Flame retardant material



	ROT3P16A	ROT4P16A	ROT3P32A	ROT4P32A	ROT3P63A	ROT4P63A
Product Finish	Grey/Black					
Product Dimensions	125 x 100 x 86mm	125 x 100 x 86mm	125 x 100 x 86mm	125 x 100 x 86mm	175 x 115 x 100mm	175 x 115 x 100mm
Product weight	355g				467g	
Barcode	5012739627354	5012739627361	5012739627378	5012739627385	5012739627392	5012739627408
IP Rating	IP65					
Voltage	440V ~	440V ~	440V ~	440V ~	440V ~	440V ~
Max Wattage	-	-	-	-	-	-
Operating Temp	-25 +55					
Main housing material	Thermo Plastic					
Fixings	-	-	-	-	-	-
Guarantee	1 Year					
Certification & Conformity	EN 60947-3					