

**GREEN
BROOK**

Lighting

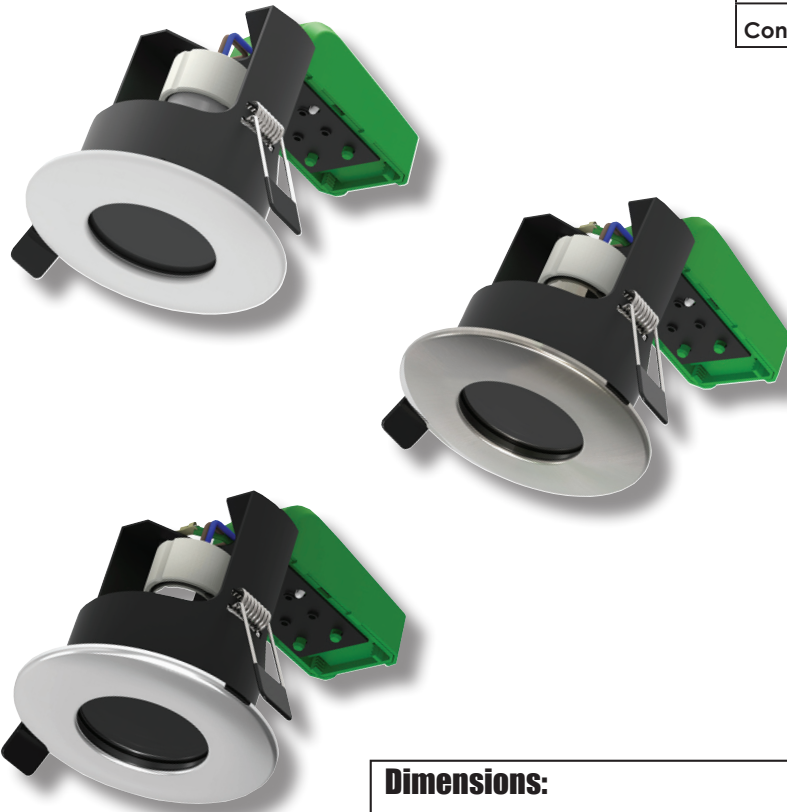
LED Fire Rated Dimmable Downlights

Dimmable

- ✓ IP65
- ✓ Certified for 30, 60 or 90 minute fire rated ceilings
- ✓ Screw-less 'Quick Connect' terminal block & housing
- ✓ Push-fit terminals and cable clamps
- ✓ Compact low profile
- ✓ No Lamp supplied
- ✓ Compliant to Building Regulations Part B, C & E



**Quick fit,
Push in terminals**



TECHNICAL INFORMATION	
Lamp Type	Maximum wattage 50W - GU10
IP Rating	IP65
Power Rating	230V AC - 50Hz
Cut Out	70mm
Class	I
IP Rating	IP65 - from front of fitting IP20 - from back of fitting
Terminals	Earth / Neutral / Live / Loop in Loop out
Operating Range	(Typical) -20°C - +40°C
Main Housing	Black steel flange & Bezel with Borosilicate glass
Dimensions	H106.5 x W85 (Bezel) x L130mm
Guarantee	3 Years
Conforms to	BS 476-21, EN60598-2-2

VEFW1

VELA ECO Fire - White Bezel

LED Fire Rated Downlight
Open Back with GU10 Holder

VEFPC1

VELA ECO Fire - Polished Chrome Bezel

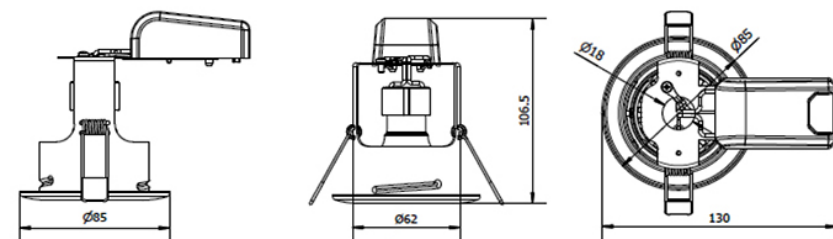
LED Fire Rated Downlight
Open Back with GU10 Holder

VEFSC1

VELA ECO Fire - Satin Chrome Bezel

LED Fire Rated Downlight
Open Back with GU10 Holder

Dimensions:





7W LED Fire Rated Dimmable Downlights

- ✓ Low profile downlight for shallow ceiling voids
- ✓ Certified for 30, 60 or 90 minute fire rated ceilings
- ✓ Quick Connect - Loop in/Loop out driver
- ✓ Additional bezels for the Fixed fittings -
Satin Chrome LEDDLCBEZSC & Polished Chrome LEDDLCBEZPC
- ✓ Choice of bezel finishes in the Tilt - White, Satin Chrome & Polished Chrome

Dimmable

VCT3KW

LED 7W Tilt - White

3,000K, 620 Lumens
76mm Cut out
H40mm x W86.5mm

VCT3KSC

LED 7W Tilt - Satin Chrome

3,000K, 620 Lumens
76mm Cut out
H40mm x W86.5mm

VCT3KPC

LED 7W Tilt - Polished Chrome

3,000K, 620 Lumens
76mm Cut out
H40mm x W86.5mm

VC3KW

LED 7W Fixed - White

3,000K, 620 Lumens
60mm Cut out
H51mm x W80mm

VC4KW

LED 7W Fixed - White

4,000K, 640 Lumens
60mm Cut out
H51mm x W80mm



VCT4KW

LED 7W Tilt - White

4,000K, 640 Lumens
76mm Cut out
H40mm x W86.5mm

VCT4KSC

LED 7W Tilt - Satin Chrome

4,000K, 640 Lumens
76mm Cut out
H40mm x W86.5mm

VCT4KPC

LED 7W Tilt - Polished Chrome

4,000K, 640 Lumens
76mm Cut out
H40mm x W86.5mm



Replacement Compact Bezels

LEDDLCEZSC

Replacement Bezel for Fixed Fitting

- Satin Chrome

LEDDLCEZPC

Replacement Bezel for Fixed Fitting

- Polished Chrome



7W LED Fire Rated Dimmable Downlights



**Fixed
IP65**

Improved Technology
Dimmable



**Tilt
IP44
Low Profile
Depth 40mm**



	VC3KW	VCT3KW	VCT3KSC	VCT3KPC	VC4KW	VCT4KW	VCT4KSC	VCT4KPC
Description	White Fixed	White Tilt	Satin Chrome Tilt	Polished Chrome Tilt	White Fixed	White Tilt	Satin Chrome Tilt	Polished Chrome Tilt
Barcode	5012739 653223	5012739 653261	5012739 653254	5012739 653247	5012739 653230	5012739 653292	5012739 653285	5012739 653278
Cut Out	60mm	76mm			60mm	76mm		
Dimensions	W80 x H51mm	W86.5 x H40mm			W80 x H51mm	W86.5 x H40mm		
IP rating	IP65	IP44			IP65	IP44		
Lamp Type	LED COB							
Tilt Angle	n/a	50° inclusive (25° each side)			n/a	50° inclusive (25° each side)		
Beam Angle	60°	40°			60°	40°		
Class Type	Class II Driver, Class III Fitting							
Colour Temp	3,000K	3,000K			4,000K	4,000K		
Lumen Output	620	620			640	640		
Energy Class	F							
CRI	>80							
Standby Power	0.2W							
MacAdam Steps	<3							
Wattage	7W							
Ballast Type	LED Driver							
Voltage	230V ~ 50Hz							
Product Weight	180g	220g			180g	220g		
Guarantee	3 Years							
Conforms To	BS EN 60598-1							

7W LED Fire Rated Dimmable Downlights

Dimmers

The VELA COMPACT Range of downlights are designed to be compatible with trailing edge dimmers.



Fixed
IP65

Dimmer Compatibility Chart

Dimmer Specification		Number of Fittings											
Manufacturer Name	Dimmer Model	1	2	3	4	5	6	7	8	9	10	11	12
Zano	ZGRIDLED	✓	✓	✓	✓	✓	✓	✓	✓	✓	✓	✓	✓
Schneider	GU6012C	✓	✓	✓	✓	✓	✓	✓	✓	✓	✓	✓	✓
Danlers	DQDGEU400W	✓	✓	✓	✓	✓	✓	✓	✓	✓	✓	✓	✓
Zano	ZM0250	✓	✓	✓	✓	✓	✓	✓	✓	✓	✓	✓	✓
Zano	ZM0150	✓	✓	✓	✓	✓	✓	✓	✓	✓	✓	✓	✓
Schneider	4G 2 Way dimmer	✓	✓	✓	✓	✓	✓	✓	✓	✓	✓	✓	✓
Schneider	Ultimate	✓	✓	✓	✓	✓	✓	✓	✓	✓	✓	✓	✓
BG	400AP	✓	✓	✓	✓	✓	✓	✓	✓	✓	✓	✓	✓
V-PRO	Version 14A	✓	✓	✓	✓	✓	✓	✓	✓	✓	✓	✓	✓

N.B. GreenBrook are not responsible for any changes of specification of these dimmer models since the time of testing. Any component tolerances or changes of specification remain the responsibility of the dimmer manufacturer and are beyond our control.

9W LED Fire Rated Dimmable Downlights

9W

**5 Year
Guarantee**

- ✓ Certified for 30, 60 or 90 minute fire rated ceilings
- ✓ Available in Fixed, Tilt & Anti-glare fittings
- ✓ Complete with quick connect driver
- ✓ Loop in, loop out connections on driver
- ✓ Additional bezels available - Gold, Matt Black, Satin Chrome & Polished Chrome

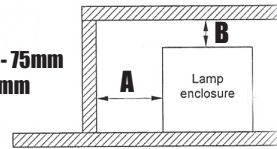
Dimmable
Improved Technology

TECHNICAL INFORMATION	
Voltage	230V AC ~ 50Hz
Wattage	9W
IP Rating	IP65
CRI Rating	>80
Ballast Type	LED Driver
Beam Angle	55°
Class	II
Conforms to	BS EN 60598-1

Air Circulation Information -

To prevent accidental damage to the luminaire and to ensure good air flow around the fitting we recommend the minimum clearances as shown.

A = 50 - 75mm
B = 25mm



**Fixed
IP65**

ADV3KW

LED 9W Fixed - White

3,000K, 820 Lumens
73mm Cut out, Weight 330g
D85mm x H61mm

ADV4KW

LED 9W Fixed - White

4,000K, 850 Lumens
73mm Cut out, Weight 330g
D85mm x H61mm



**Tilt
IP65**

ADVT3KW

LED 9W Tilt - White

3,000K, 820 Lumens
83mm Cut out, Weight 395g
D95mm x H70mm

ADVT4KW

LED 9W Tilt - White

4,000K, 850 Lumens
83mm Cut out, Weight 395g
D95mm x H70mm

9W

9W LED Fire Rated Dimmable Downlights

5 Year Guarantee

Dimmable
Improved Technology

ADVAG3KW

LED 9W Anti-glare - White

3,000K, 710 Lumens

73mm Cut out, Weight 380g

D85mm x H72mm

ADVAG4KW

LED 9W Anti-glare - White

4,000K, 740 Lumens

73mm Cut out, Weight 380g

D85mm x H72mm



**Anti-Glare
IP65**



Replacement Bezels

For Fixed Fittings

ADVBEZSC - **Satin Chrome**

ADVBEZPC - **Polished Chrome**

ADVBEZMB - **Matt Black**

ADVBEZG - **Gold**

For Tilt Fittings

ADVTBEZSC - **Satin Chrome**

ADVTBEZPC - **Polished Chrome**

ADVTBEZMB - **Matt Black**

ADVTBEZG - **Gold**

For Anti-Glare Fittings

ADVAGBEZSC - **Satin Chrome**

ADVAGBEZPC - **Polished Chrome**

ADVAGBEZMB - **Matt Black**

ADVAGBEZG - **Gold**



Bezels shown on Tilt version



The Vela *Advance* range of downlights are designed to be compatible with both leading edge and trailing edge dimmers.

9W LED Fire Rated Dimmable Downlights

**5 Year
Guarantee**



**Tilt
IP65**



**Fixed
IP65**

**Dimmable
Improved Technology**



**Anti-Glare
IP65**

	ADV3KW	ADVT3KW	ADVAG3KW	ADV4KW	ADVT4KW	ADVAG4KW
Description	White Fixed	White Tilt	White Anti-Glare	White Fixed	White Tilt	White Anti-Glare
Barcode	5012739 653155	5012739 653209	5012739 653186	5012739 653247	5012739 653216	5012739 653193
Cut Out	73mm	83mm	73mm	73mm	83mm	73mm
Dimensions	W85 x H61mm	W95 x H70mm	W85 x H72mm	W85 x H61mm	W95 x H70mm	W85 x H72mm
IP rating	IP65					
Lamp Type	LED COB					
Tilt Angle	n/a	30° inclusive (15° each side)	n/a	n/a	30° inclusive (15° each side)	n/a
Beam Angle	55°					
Class Type	II					
Colour Temp	3,000K			4,000K		
Lumen Output	820	820	710	850	850	740
Energy Class	F					
CRI	>80					
Standby Power	0.3W					
MacAdam Steps	<3					
Wattage	9W					
Ballast Type	LED Driver					
Voltage	230V ~ 50Hz					
Product Weight	360g	420g	380g	360g	420g	380g
Guarantee	5 Years					
Conforms To	BS EN 60598-1					

9W LED Fire Rated Dimmable Downlights

Dimmers

The VELA *Advance* Range of downlights are designed to be compatible with trailing edge dimmers. GreenBrook have tested a selection of dimmers for compatibility with our product range...



N.B. GreenBrook are not responsible for any changes of specification of these dimmer models since the time of testing. Any component tolerances or changes of specification remain the responsibility of the dimmer manufacturer and are beyond our control.

LED Fire Rated Dimmable Downlights

- ✓ Certified for 30, 60 or 90 minute fire rated ceilings
- ✓ Switchable colour change - from 3,000K to 4,000K
- ✓ Integrated driver
- ✓ Available with clear or frosted lens
- ✓ Quick connections, loop in, loop out
- ✓ Additional bezels available - Gold, Matt Black, Satin Chrome & Polished Chrome
- ✓ 3 Year Guarantee



Fixed 7.5W
- Switch from 3,000K & 4,000K



**Fixed
IP65**

TECHNICAL INFORMATION	
Voltage	230V AC ~ 50Hz
Wattage	7.5W
IP Rating	IP65
CRI Rating	>80
Energy Class	G
Ballast Type	LED Driver
Class	II
Operating Temp	-20°C - +40°C
Life Span	50,000 hours
Conforms to	BSEN 60598

Warm White Cool White



VSWITCHC

LED 7.5W Fixed - Clear Lens

73mm Cut out, Weight 277g

D85mm x H83mm

VSWITCHF

LED 7.5W Fixed - Frosted Lens

73mm Cut out, Weight 277g

D85mm x H83mm

Bezels for Switch Fittings

ADVBEZSC - **SATIN CHROME**

ADVBEZPC - **POLISHED CHROME**

ADVBEZMB - **MATT BLACK**

ADVBEZG - **GOLD**

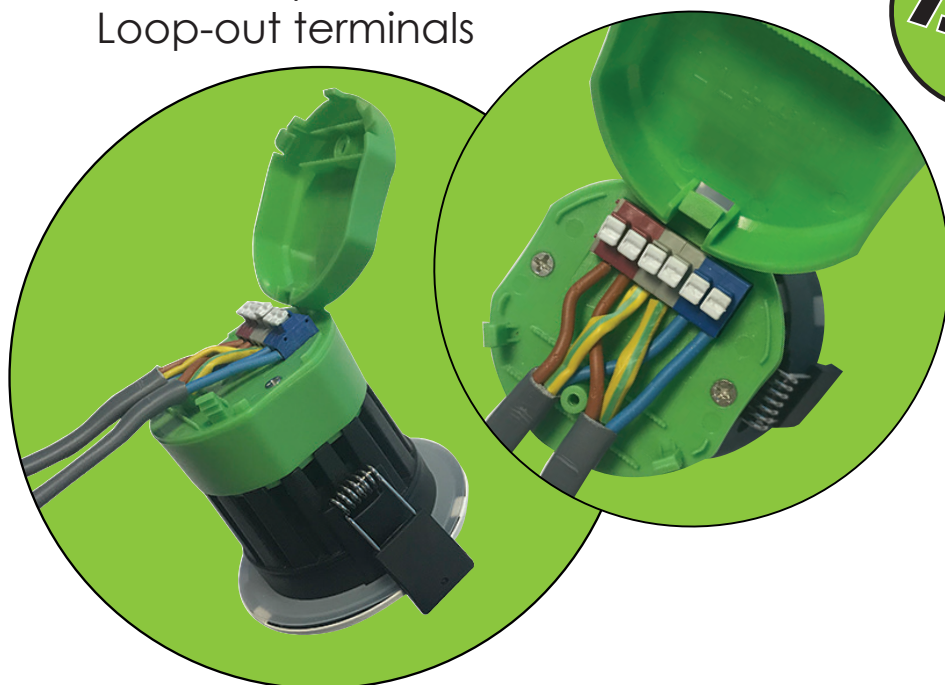


the **LIA**
MEMBER

LED Fire Rated 'Colour Change' Downlights

Showing

- Loop-in,
Loop-out terminals



7.5W

Dimmers

- The **VELA *Switch*** range of downlights are designed to be compatible with most leading edge and trailing edge dimmers

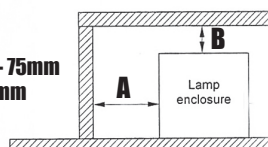


	VSWITCHC - Clear Lens	VSWITCHF - Frosted Lens
Product Finish	White	
Downlight Style	Fixed	
Cut Out	73mm	
Size	D85 x H83mm	
Product Weight	277g	
Barcode	5012739 645983	5012739 645990
IP Rating	IP65	
Lamp Type	SMD LED	
Beam Angle	70°	95°
Colour Temp	3,000K / 4,000K	
Class	II	
Luminaire Lumens Output 3,000K	623	622
Luminaire Lumens Output 4,000K	681	647
Useful Luminous Flux	3,000K - 515lm 4,000K - 532lm	3,000K - 519lm 4,000K - 539lm
Voltage	230V ~ 50Hz	
Wattage	7.5W	
Ballast Type	LED Driver	
Guarantee	3 Years	
Certification & Conformity	BS EN 60598	

Air Circulation Information -

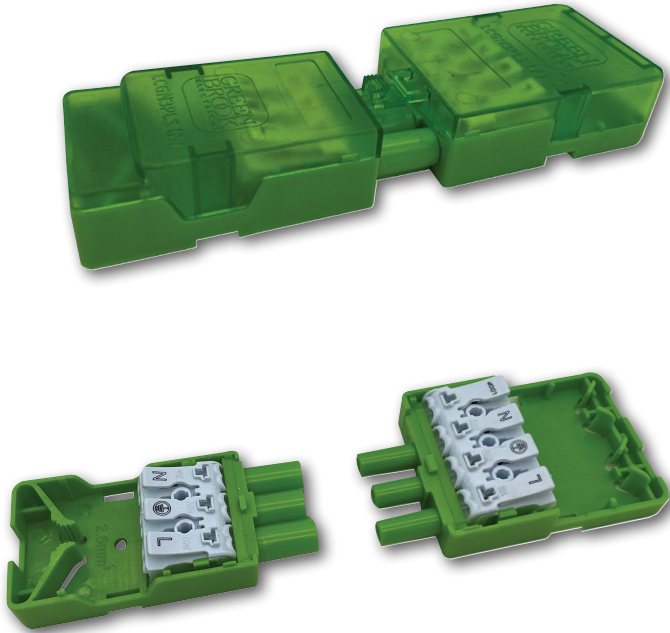
To prevent accidental damage to the luminaire and to ensure good air flow around the fitting we recommend the minimum clearances as shown.

A = 50 - 75mm
B = 25mm



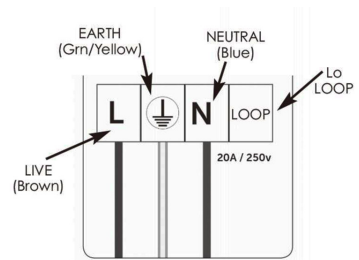
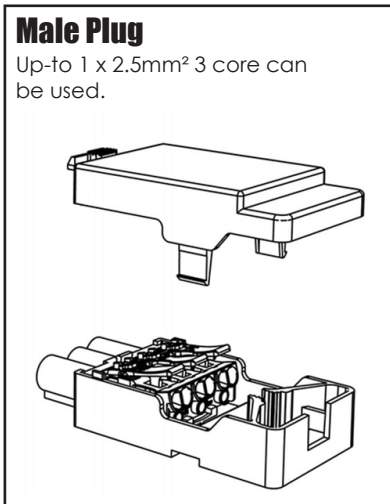
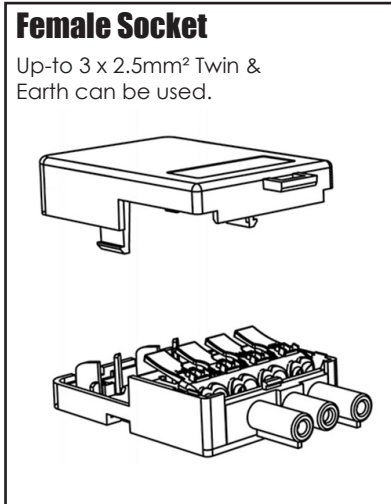
20 Amp Lighting Connector with Quick Click Push-Fit Terminals

- ✓ IP20
- ✓ 250 Volt / 20Amp Plug-in Connector
- ✓ Easy lock and release system
- ✓ Push-fit cord grips
- ✓ Large terminal for easy access
- ✓ Designed and manufactured by GreenBrook



LCGN3PLS
20 Amp Lighting Connector
Quick Click Push-Fit Terminals

TECHNICAL INFORMATION	
Barcode	5012739 647567
Max Voltage	250V / 20Amp
Male Connector	1 x 2.5mm ² 3 core flex, screw cord grip
Female Connector	3 x 2.5mm ² Twin & Earth, loop terminal
Housing Material	Nylon 66 (PA66)
Product Finish	Polypropylene Enclosure, Nylon Connector
IP Rating	IP20
Terminal Material	Solid Ni Plated Brass
Box Qty	50
Dimensions	L142.5 x W45.5 x H21.6mm
Product Weight	68.5g
Guarantee	1 year
Conforms to	EN 61535



20 Amp Lighting Connector - For 3 & 4 Way Flex

- ✓ Easy lock and release system
- ✓ Large terminal for easy access
- ✓ Designed and manufactured by GreenBrook

TECHNICAL INFORMATION		
Description	3 Way Connector	4 Way Connector
Barcode	5012739 641404	5012739 645754
Max Voltage	400V	
Male Connector	1 x 2.5mm ² 3 core flex	1 x 2.5mm ² 4 core flex
Female Connector	3 x 2.5mm ² flat Twin & Earth	3 x 2.5mm ² flat Twin & Earth
Housing Material	Nylon 66 (PA66)	
Product Finish	Polypropylene Enclosure, Nylon Connector	
IP Rating	IP20	
Box Qty	50	
Dimensions	L110x W42 x H22.3mm	L113x W55 x H22.5mm
Product Weight	0.55kg	0.79Kg
Guarantee	1 year	
Conforms to	EN 61535	

QUICK3 Connekt3



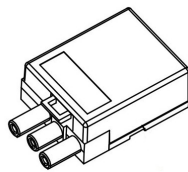
POS Display
Box Qty 50



LCGN3P
3 Way Connector
20 Amp Lighting
Connector

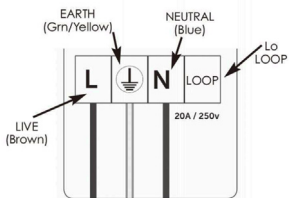
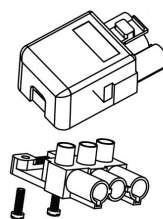
Female Socket

Up-to 3 x 2.5mm² Twin & Earth can be used.



Male Plug

Up-to 1 x 2.5mm² 3 core flex can be used.

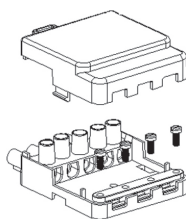


Note:

- These couplers are suitable for installation in NON-READY accessible areas
- This system is NOT a replacement for a domestic plug & socket outlet system.
- Installation couplers are intended for connection and disconnection without load.
- Any dangerous compatibility between manufacturer installation coupler system is not automatically prevented by Compliance with IEC EN61535.

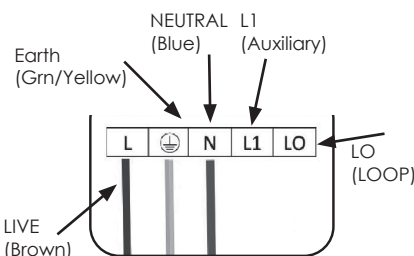
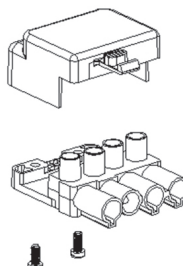
Female Socket

Up-to 3 x 2.5mm² Twin & Earth can be used.

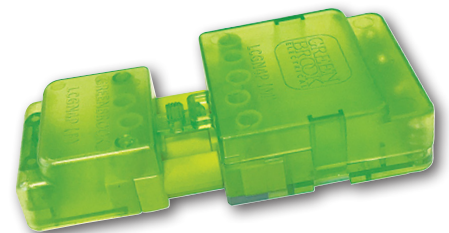


Male Plug

Up-to 1 x 2.5mm² 4 core flex can be used.



QUICK4 Connekt4



LCGN4P
4 Way Connector
20 Amp Lighting
Connector

- ✓ For protection or electrical connections
- ✓ External easy to use cable clamps
- ✓ Various fastening options
- ✓ Simple one piece snap cover with screw fixings
- ✓ Optional screw or cable tie box fixing
- ✓ Will pass through a 50mm diameter hole
- ✓ Fully assembled

CHOCBOX +

Registered Design



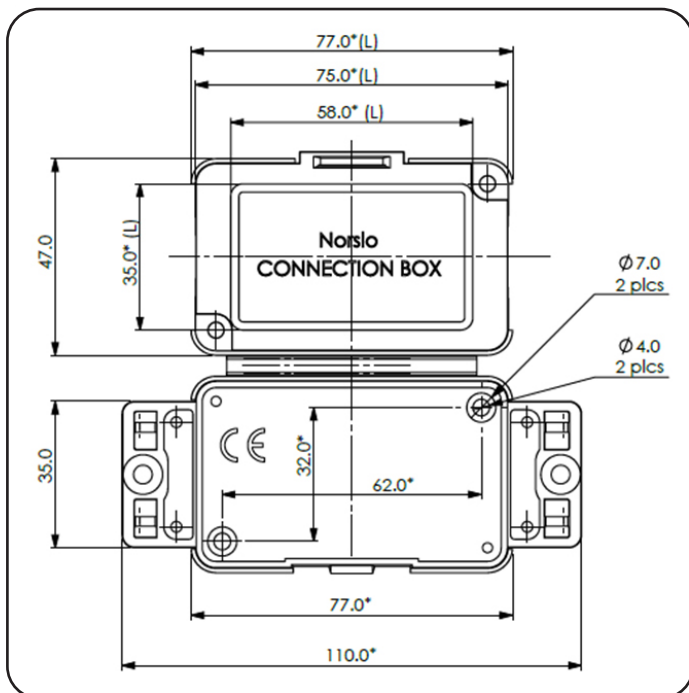
**CHOC30APLS
CHOCBOX+**
W47 x L110 x D29mm

TECHNICAL INFORMATION

Barcode	5012739 647574
Rated Voltage	250V
Terminal Block Size	20 Amp
Temperature Range	-5 to +60°C
Max Conductor Size	2.5mm ²
Normal Box Qty	50
Product Weight	41g
Dimensions	W47 x L110 x D29mm
Product Finish	Natural Polypropylene
Guarantee	1 Year
Conforms to	BS EN 60670-22

Complete with 4 Connection 20A Quick Connector Block

'Maintenance Free & Tamperproof'



**Complete with 20A
Quick release
connector block**

- ✓ For protection or electrical connections
- ✓ External easy to use cable clamps
- ✓ Simple one piece snap cover with screw fixings
- ✓ Optional screw or cable tie box fixing
- ✓ Will pass through a 50mm diameter hole
- ✓ Fully assembled

Registered Design

For 2A - 30A terminal strips



CHOC30A
Connection Box with cable clamps

Come with Free POS
Display as shown
H28 x W110 x D49mm
(including clamps)

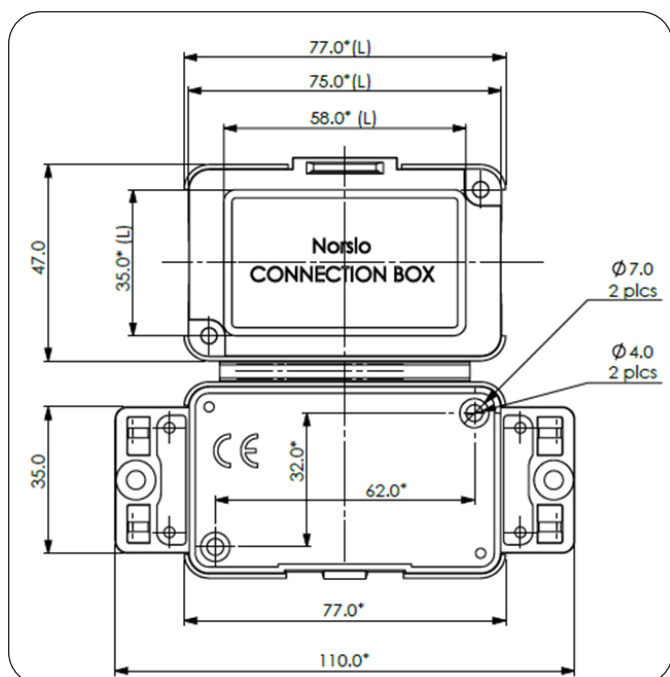


CHOC30A-10
Connection Box with cable clamps

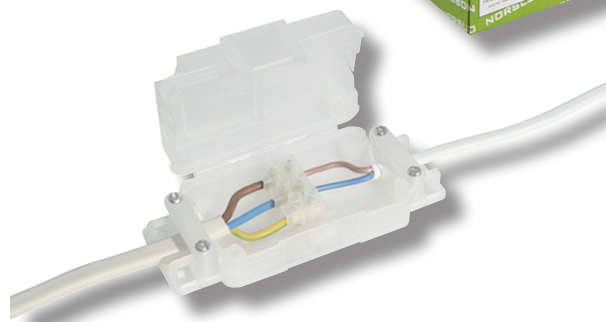
(in poly bag)
H28 x W110 x D49mm
(including clamps)

TECHNICAL INFORMATION	
Barcode	5012739 607370
Rated Voltage	250V
Number of Terminals that can fit inside CHOC30A, when located on peg	Horizontal Positioning
	2 Amp - 8 terminals 5 Amp - 6 terminals 15 Amp - 4 terminals 30 Amp - 4 terminals
	Vertical Positioning
	2 Amp - 4 terminals 5 Amp - 4 terminals 15 Amp - 2 terminals 30 Amp - 2 Terminals
Temperature Range	-5 to +60°C
Max Conductor Size	4mm ²
Box Qty	50
Product Weight	28g
Product Finish	Natural Polypropylene
Guarantee	1 Year
Conforms To	BS EN60670-22 (13.3.2) 650°C glow-wire

'Maintenance Free & Tamperproof'



CHOC30A- Comes with a Free POS Display



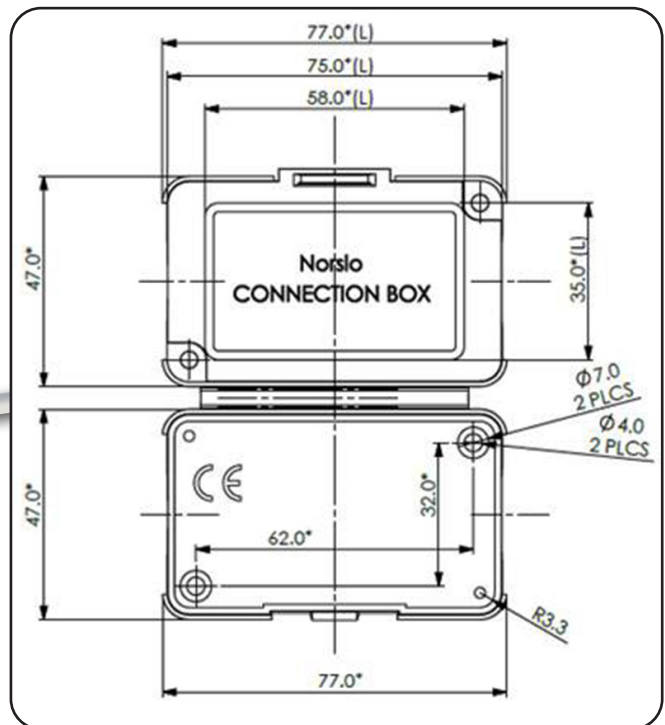
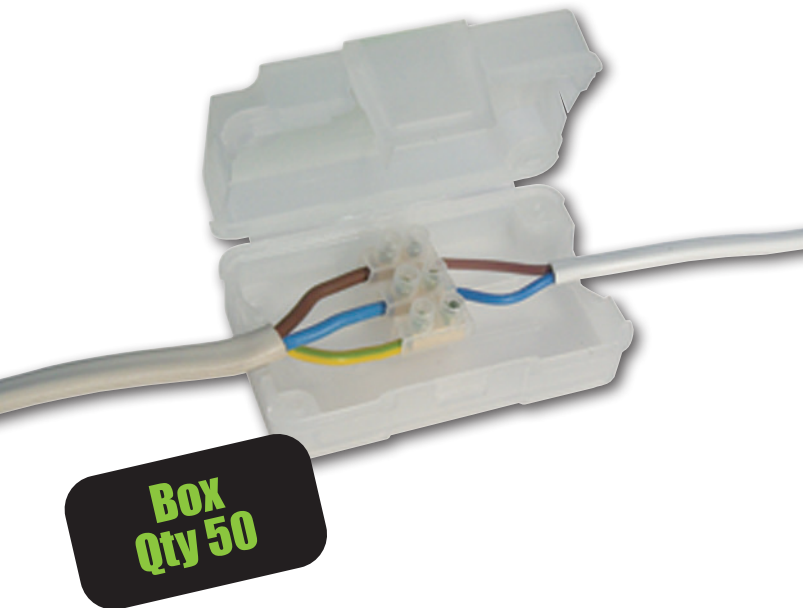
- ✓ For protection of electrical connections
- ✓ Simple One piece base / snap close lid / quick release
- ✓ Will pass through a 50mm diameter hole
- ✓ Fully assembled

For 2A - 30A terminal Strips



CHOC30E
Connection Box - Economy
 H27 x W77 x D49mm
 (without cable clamps)

TECHNICAL INFORMATION	
Barcode	5012739 617164
Rated Voltage	250V
Terminal Block Size	2 to 30 Amp
Temperature Range	-5 to +60°C
Max Conductor Size	4mm ²
Box Qty	50
Product Weight	22.5g
Product Finish	Natural Polypropylene
Guarantee	1 Year
Conforms to	BS EN 60670-22



Mixed Connectors in a Trade Counter Box

Mixed Connectors

Great for Trade Counters -
Contains 129 best selling
connectors!
Part Code: CONBOX1

CONBOX



POS Display

Supplied in a handy POS Box -
just fold the box lid in half and
you're ready to display!



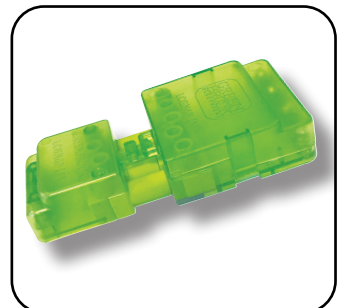
CHOC30APLS X 27



LCGN3P X 36



CHOC30E X 42



LCGN4P X 24

129 PIECES IN ONE BOX!

A selection of our best sellers for your trade counter!

LED 3W Emergency Driver

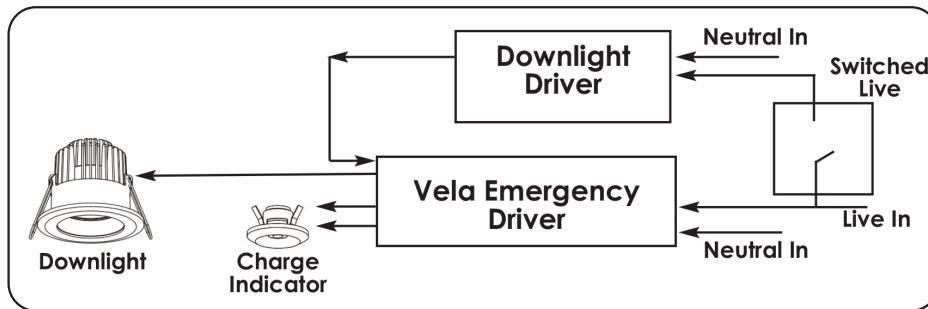
- ✓ Built-in battery supplying 3 hours emergency operation in light of a mains failure
- ✓ Maintained / Non-Maintained
- ✓ Quick & easy to connect
- ✓ Compact & lightweight - screw-less assembly
- ✓ Separate small green LED indicator giving status of battery charge
- ✓ Bezel mount for LED - for ease of installation in ceilings
- ✓ Conforms to BS EN 61347-1 and BS EN 61347-2-13

*Emergency Operation
- Duration 3 Hours*



LEDLEPN
LED 3W Emergency Driver
Maintained / Non Maintained
3 Hour emergency operation

LEDLEPN	
Description	LED 3W Emergency Driver
Product Finish	White
Barcode	5012739649004
Voltage	230V ~50Hz
Emergency Output Power	3W
Max Output Voltage	36V
Max Output Current	90mA
Battery Type	3.6V, 3,000Ah - Lithium ion
Emergency Operation	3 Hours
Emergency Switch Time	<1s
Battery Life	20,000 hours
Charge Time	>24 hours
Working Environment	-20°C - 50°C / 65+20% RH
Product Weight	150g
Dimensions	L150 x W40 x D30mm
Guarantee	1 Year
Conforms To	BS EN 61347-1 & BS EN 61347-2-13



60 Minute Fire-hood



FH1
60 Minute Fire-hood

Covers a wide range of mains & low voltage downlights. It is also ventilated to reduce heat build up.

Conforms to BS 476 part 23
ø 150 x 150mm



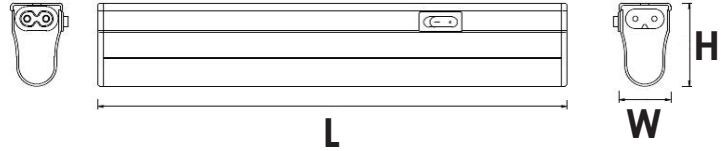
Would you like our help to merchandise your trade counter? Our Area Sales Manager would be pleased to talk you through the sales benefits of dressing your branch with a GreenBrook display.



LED Ultra Slim Link Light Fittings

This range of LED Ultra slim fittings add subtle down-lighting to your home, in a colour choice of 3,000K Warm White or 4,000K Cool White.

- ✓ Supplied with 2M power lead, 500mm link lead, butt connector & mounting brackets
- ✓ Flicker free quick start
- ✓ Link leads available separately
- codes UC250LLN / UC500LLN / UC1000LLN
- ✓ 3 Year Guarantee



	UCLED3WW (warm white) UCLED3CW (cool White)	UCLED5WW (warm white) UCLED5CW (cool white)	UCLED8WW (warm white) UCLED8CW (cool white)	UCLED14WW (warm white) UCLED14CW (cool white)	UCLED16WW (warm white) UCLED16CW (cool white)
Product Finish	Polycarbonate Body and Diffuser - White				
Max Wattage	3W	5W	8W	14W	16W
Product Dimensions	L222 x W23 x H37mm	L296 x W23 x H37mm	L525 x W23 x H37mm	L857 x W23 x H37mm	L1157 x W23 x H37mm
Product Weight	0.13kg	0.23kg	0.50kg	0.61kg	0.70kg
Barcode	5012739 645624 5012739 645617	5012739 645648 5012739 645631	5012739 645662 5012739 645655	5012739 645686 5012739 645679	5012739 645709 5012739 645693
Lumen Output	300 / 108 lm/W	500 / 108 lm/W	800 / 108 lm/W	1400 / 108 lm/W	1600 / 108 lm/W
Lamp Type	LED Array				
Beam Angle	120°				
IP Rating	IP20				
Life expectancy of fitting	30,000 hours				
Class Type	II				
LED Light Source	NDLS (Non-direction light source)				
CRI	>80				
Colour Temperature	4,000K (Cool White - CW) / 3,000K (Warm White - WW)				
Voltage	230V AC ~ 50Hz				
Operating Temp	-10°C - +40°C				
Main Housing material	Polycarbonate				
Switching Cycle	20,000				
Guarantee	3 Years				
Certification & Conformity	EN60598-1, EN 60598-2-1				

LED Ultra Slim Link Light Fittings

UCLED3WW - Warm White

3,000K, 108 lm/W, L222 x W23 x H37mm

UCLED3CW - Cool White

4,000K, 108 lm/W, L222 x W23 x H37mm

UCLED5WW - Warm White

3,000K, 108 lm/W, L296 x W23 x H37mm

UCLED5CW - Cool White

4,000K, 108 lm/W, L296 x W23 x H37mm

UCLED8WW - Warm White

3,000K, 108 lm/W, L525 x W23 x H37mm

UCLED8CW - Cool White

4,000K, 108 lm/W, L525 x W23 x H37mm

UCLED14WW - Warm White

3,000K, 108 lm/W, L857 x W23 x H37mm

UCLED14CW - Cool White

4,000K, 108 lm/W, L857 x W23 x H37mm

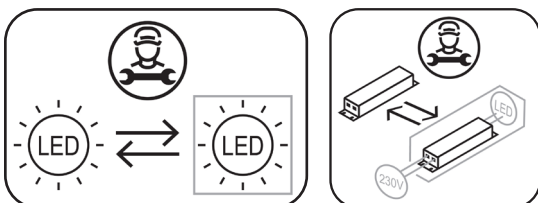
UCLED16WW - Warm White

3,000K, 108 lm/W, L1157 x W23 x H37mm

UCLED16CW - Cool White

4,000K, 108 lm/W, L1157 x W23 x H37mm

For Non-user replaceable light sources:
'The light source contained in this luminaire shall only be replaced by the manufacturer or their service agent or a similar qualified person'.



TECHNICAL INFORMATION

Voltage	230V ~ 50Hz
Max Operating current	IP20
Lamp Type	LED Array
Colour Temp	4,000K (Cool White - CW) 3,000K (Warm White - WW)
Lamp Expectancy of fitting	30,000 hrs
Operating Temp	-10°C - +40°C
Switching Cycle	20,000
CRI Rating	>80
Class	II
Conforms to	EN 60598-1, EN 60598-2-1



Each Libra link light comes complete with 2M power lead, 500mm link lead, Opal diffuser and mounting clips

**This product contains a light source of energy efficiency Class F.
 These fittings are not dimmable**

3000K Warm White



4000K Cool White



IP20 LED Battens - Standard & High Output Fittings

- ✓ Steel body construction, Opal polycarbonate diffuser
- ✓ Integrated driver
- ✓ High output options in the same footprint
- ✓ LED chips high luminous efficiency
- ✓ Instant start
- ✓ Compact design
- ✓ 3 Year Guarantee



High Output options

**LEDBAT4 -
4ft Batten Fitting**

**LEDBAT5 -
5ft Batten Fitting**

**LEDBAT6 -
6ft Batten Fitting**

**LEDBAT4H -
4ft Batten Fitting
High Output**

**LEDBAT5H -
5ft Batten Fitting
High Output**

**LEDBAT6H -
6ft Batten Fitting
High Output**



	LEDBAT4	LEDBAT5	LEDBAT6	LEDBAT4H	LEDBAT5H	LEDBAT6H
Description	4ft Batten	5ft Batten	6ft Batten	4ft Batten (High Output)	5ft Batten (High Output)	6ft Batten (High Output)
Voltage	220V ~ 240V AC					
Operating Temp	-15 deg / +50					
Product Dimensions	L1190 x W53 x H64mm	L1485 x W53 x H64mm	L1758 x W53 x H64mm	L1190 x W53 x H64mm	L1485 x W53 x H64mm	L1758 x W53 x H64mm
Product Weight	1030g	1281g	1510g	1106g	1342g	1674g
Barcode	5012739 645839	5012739 645853	5012739 645877	5012739 645846	5012739 645860	5012739 645884
Wattage	18W	24W	32W	36W	48W	64W
Lumens	1800	2400	3400	2900	4000	5200
Mounting Options	BESA mount or screw fixings					
Lamp Type	LED Non-replaceable					
Lamp Life Expectancy	>30,000 hrs					
Frequency	50 / 60 Hz					
IP Rating	IP20					
Knock-outs	2 x 20mm					
Colour Temperature	4,000K					
Beam Angle	120°					
Class Type	I					
CRI	>80					
Main housing material	Steel body with Polycarbonate Diffuser					
Guarantee	3 Years					
Certification & Conformity	BS EN 60598					



theLIA
MEMBER

IP20 LED Battens - Emergency Fittings

- ✓ IP20
- ✓ Steel body construction, Opal polycarbonate diffusers
- ✓ Integrated driver
- ✓ High output options in the same footprint
- ✓ High LED chip efficiency
- ✓ Compact design

Emergency Fittings

Greater than 3 hours emergency operation

	LEDBAT5EM	LEDBAT6EM	LEDBAT5HEM	LEDBAT6HEM
Description	5ft Emergency Batten	6ft Emergency Batten	5ft Emergency Batten (High Output)	6ft Emergency Batten (High Output)
Product Dimensions	L1485 x W53 x H64mm	L1758 x W53 x H64mm	L1485 x W53 x H64mm	L1758 x W53 x H64mm
Product Weight	1811g	2041g	1857.5g	2053g
Barcode	5012739 647741	5012739 647758	5012739 647840	5012739 647857
Wattage	24W	32W	48W	64W
Power Rating	220V / 240V AC ~ 50Hz			
Lumens	2400	4000	3400	5200
Mounting Options	BESA mount or screw fixings			
Lamp Type	LED Non-replaceable			
IP Rating	IP20			
Knock-outs	2 x 20mm at ends of fitting and 1 x 20mm at the back of fitting			
Colour Temperature	4,000K			
Beam Angle	120°			
Ballast Type	LED Driver			
Battery Type	Ni-Cd, 6V, 3,000mAh			
Emergency Duration	More than 3 hours			
Class Type	I			
Main housing material	Steel body with Polycarbonate Diffuser			
Guarantee	3 Years			
Certification & Conformity	BS EN 60598			

LEDBAT5EM -
5ft Emergency Batten

LEDBAT6EM -
6ft Emergency Batten

LEDBAT5HEM -
5ft Emergency Batten (High Output)

LEDBAT6HEM -
6ft Emergency Batten (High Output)



IP20 BATHROOM SHAVER LIGHT

The GreenBrook Shaver-light range offers a choice of LED versions in White and Chrome and two White fittings (A4NNL / STA4NL) supplied without lamps.

- ✓ **Dual voltage**
- ✓ **Shaver socket continuously live**
- ✓ **Pull switch operated light**
- ✓ **A4NNL and STA4NL supplied without lamps - can take 60W max LED or incandescent lamp**



STA4LEDN - WHITE
LED 8W Bathroom Shaver Light
 H60.5 x W500 x D49mm
 3 Year Guarantee



STA4LEDCHN - CHROME
LED 8W Bathroom Shaver Light
 H60.5 x W500 x D49mm
 3 Year Guarantee



A4NNL - WHITE
Shaver Light (Supplied without Lamp)
 H59 x W481 x D71mm
 1 Year Guarantee



STA4NL - WHITE
Shaver Light (Supplied without Lamp)
 H60 x W495 x D70mm
 1 Year Guarantee

	A4NNL	STA4NL	STA4LEDN	STA4LEDCHN
--	-------	--------	----------	------------

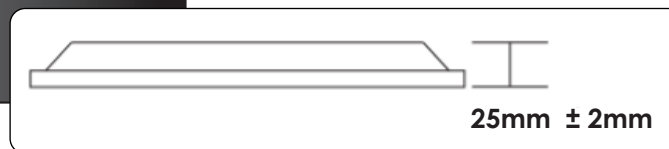
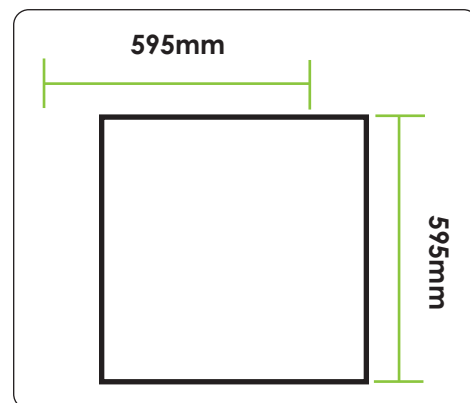
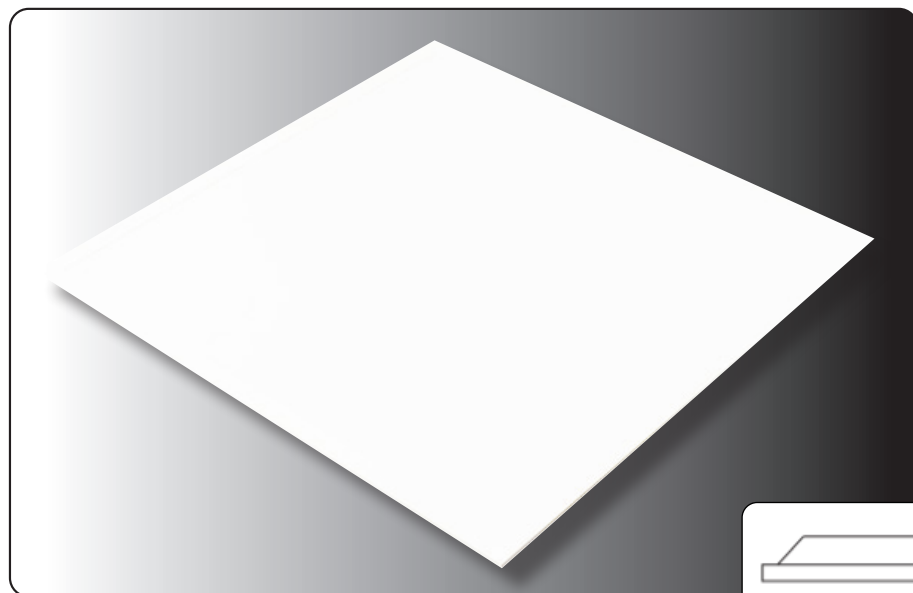
Product Finish	White		White	Chrome
Description	Shaver Light (Supplied without Lamps)		LED Shaver Light	
Voltage	230V AC ~ 50Hz			
Product Dimensions	H59 x W481 x D71mm	H60 x W495 x D70mm	H60.5 x W500 x D49mm	
Product Weight	993gms	995gms	200gms	
Barcode	5012739 645457	5012739 645440	5012739 644290	5012739 644306
IP Rating	IP20			
Lamp Type	60W Max, LED or incandescent (284mm S15 double cap)		LED Array	
Rated Voltage	230V AC ~ 50Hz			
Socket Voltage	115V AC / 230V AC			
Max Wattage	60W Max		8W	
Lumens Output	-		480	
Class	Class I construction			
F Marked	Suitable for installation on to normal flammable surfaces			
Main housing material	Polycarbonate base and Polycarbonate diffuser			
Guarantee	1 Year		3 Years	
Certification & Conformity	EN 60598-2-1			



LED Ceiling Panel

- ✓ 36W back lit Ceiling Panel
- ✓ To fit 600 x 600mm ceiling grids
- ✓ Conforms to BS EN 60598

IP20 LED Ceiling Panel



LEDPAN1N

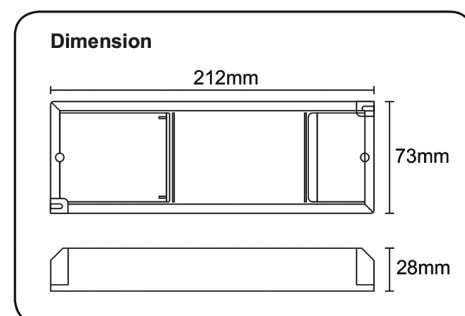
Description	36W LED Ceiling Panel
Barcode	5012739651366
Wattage	36W
Power Rating	220V/240V AC ~50Hz
Colour Temp	4,000K
Class Type	II
IP Rating	IP20
Lumens	3600 Lumens / 100 lm/W
Driver	LF-GIRO40YM 0900H
Operating Temp Range	-10°C - +40°C
Beam Angle	120°
Main Housing	0.3mm Metal Housing
Material	PMMA Lens & Polystyrene Diffuser
Finish	White / RAL 9016
Product Weight	1496g
Dimensions	595 x 595 x 25mm
Guarantee	3 Years
Conforms To	BS EN 60598

Remote Emergency Pack

- ✓ LED emergency converter to transfer LED fitting into emergency version
- ✓ For use with GreenBrook LED panel - LEDPAN1N
- ✓ Lithium iron phosphate battery
- ✓ Test switch & charge indicator



LEDPEP Remote Emergency Pack for LED Ceiling Panel



*5 Year
Guarantee
on Alfresco Range*

LED Up & Down Wall Light - IP54

- ✓ 10.5W, 500 Lumens
- ✓ Heavy Duty Aluminium body with Clear glass diffuser

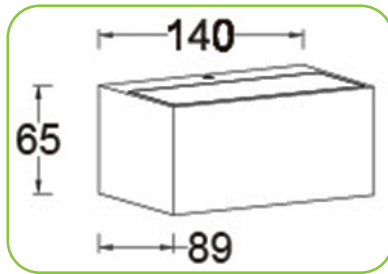


LEDAF2

LED Up & Down Wall Light - IP54
4,000K

LEDAF3

Up & Down Wall Light - IP54
3,000K



TECHNICAL INFORMATION

Voltage	230V ~ 240V - 50/60Hz
Wattage	10.5W
Lumens	500
IP rating	IP54
Lamp Type	LED
Class Type	I
No of LED's	14
CRI	>80
Housing	Heavy Duty Aluminium Body with Clear Diffuser
Conforms to	BS EN 60598

LED Up & Down Wall Light - IP54

- ✓ 20W, 1230 Lumens
- ✓ Heavy Duty Aluminium body with Clear glass diffuser

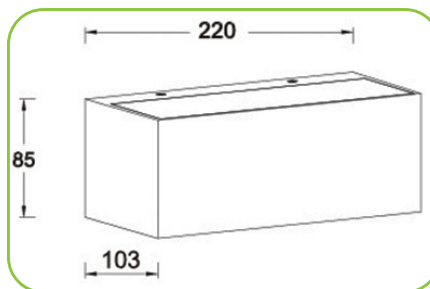


LEDAF4

LED Up & Down Wall Light - IP54
4,000K

LEDAF5

LED Up & Down Wall Light - IP54
3,000K



TECHNICAL INFORMATION

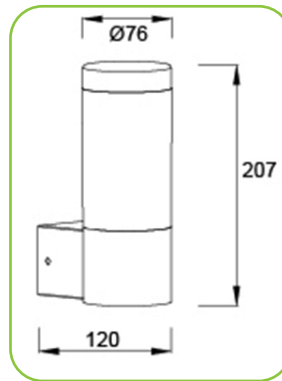
Voltage	230V ~ 240V - 50/60Hz
Wattage	20W
Lumens	1230
IP rating	IP54
Lamp Type	LED
Class Type	I
No of LED's	28
CRI	>80
Housing	Heavy Duty Aluminium Body with Clear Diffuser
Conforms to	BS EN 60598



Wall Light - IP44

- ✓ 3.7W, 350 Lumens
- ✓ 3,000K
- ✓ Stainless Steel body with Clear polycarbonate diffuser
- ✓ Matches Ground Bollard LEDAF7

TECHNICAL INFORMATION	
Voltage	230V ~ 240V - 50/60Hz
Wattage	3.7W
Lumens	350
IP rating	IP44
Colour Temperature	3,000K
Lamp Type	LED
Class Type	I
No of LED's	14
CRI	>80
Housing	Stainless Steel Body with Clear Diffuser
Conforms to	BS EN 60598-1

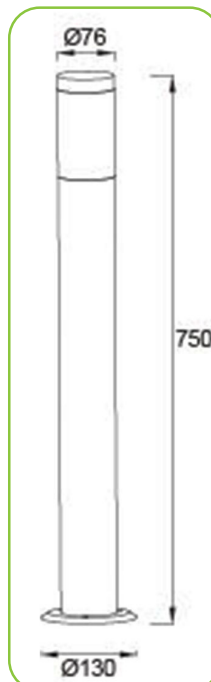


LEDAF6
Wall Light - IP44

LED Ground Bollard - IP44

- ✓ 3.7W, 350 Lumens
- ✓ 3,000K
- ✓ Stainless Steel body with Clear polycarbonate diffuser
- ✓ Matches Wall Downlight LEDAF6

TECHNICAL INFORMATION	
Voltage	230V ~ 240V - 50/60Hz
Wattage	3.7W
Lumens	350
IP rating	IP44
Colour Temperature	3,000K
Lamp Type	LED
Class Type	I
No of LED's	14
CRI	>80
Housing	Stainless Steel Body with Clear Diffuser
Conforms to	BS EN 60598



LEDAF7
LED Ground Bollard
- IP44

*5 Year
Guarantee
on Alfresco Range*

Wall Up & Down Light - IP44

- ✓ 2 x 35W Max
- ✓ GU10 Lamp (not supplied)
- ✓ Available in Graphite, Stainless Steel, Copper - Stainless steel body with glass diffuser

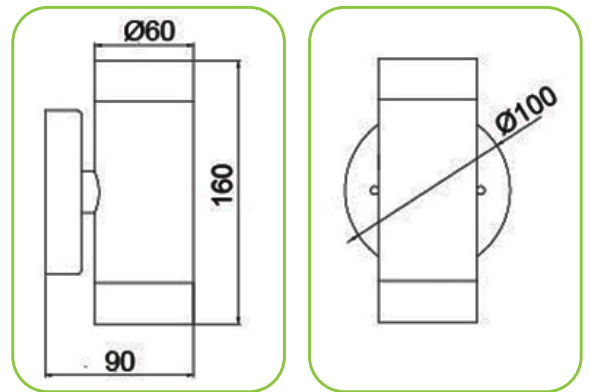


LEDAF24
Wall Up & Down
Light - IP44, Graphite

LEDAF22
Wall Up & Down
Light - IP44, Copper

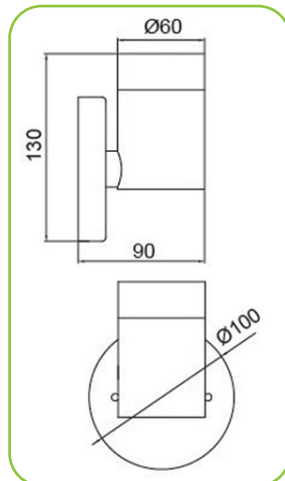
LEDAF17
Wall Up & Down
Light - IP44, Stainless Steel

TECHNICAL INFORMATION	
Voltage	230V ~ 240V - 50/60Hz
Wattage	2 x 35W Max
IP rating	IP44
Lamp Type	GU10
Class Type	I
Housing	Stainless Steel / Graphite / Copper Body with Glass Diffuser
Conforms to	BS EN 60598-1



Wall Down Light - IP44

- ✓ 1 x 35W Max
- ✓ GU10 Lamp (Not supplied)
- ✓ Stainless Steel body with glass diffuser



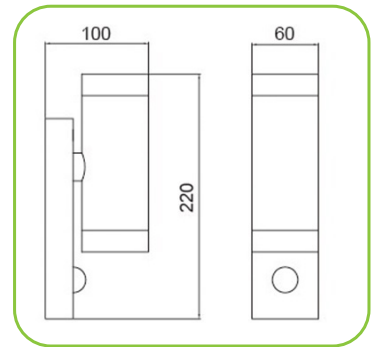
LEDAF18
Wall Down Light - IP44

TECHNICAL INFORMATION	
Voltage	230V ~ 240V - 50/60Hz
Wattage	1 x 35W Max
IP rating	IP44
Lamp Type	GU10
Class Type	I
Housing	Stainless Steel Body with Glass Diffuser
Conforms to	BS EN 60598-1



Up & Down Wall Light with PIR - IP44

- ✓ 2 x 35W Max
- ✓ GU10 Lamp (not supplied)
- ✓ Complete with PIR
- ✓ With override facility
- ✓ Available in Graphite, Stainless Steel, Copper -
Stainless steel body with glass diffuser



TECHNICAL INFORMATION	
Voltage	230V ~ 240V - 50/60Hz
Wattage	2 x 35W Max
IP rating	IP44
Lamp Type	GU10
Class Type	I
Detection Angle	120°
Detection Distance	4 - 8 Metres
Time Delay	(10±5) Secs to (4±1) Min
Mount Height	2.5 Metres
Housing	Stainless Steel/Graphite/Copper Body with Glass Diffuser
Conforms to	BS EN 60598-1



LEDADF25
Up & Down Wall Light with PIR - IP44, Graphite

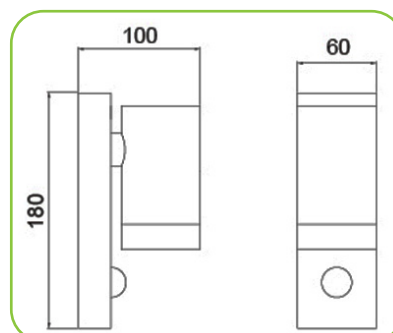
LEDADF20
Up & Down Wall Light with PIR - IP44, Stainless Steel

LEDADF23
Up & Down Wall Light with PIR - IP44

Down Wall Light with PIR - IP44

- ✓ 1 x 35W Max
- ✓ GU10 Lamp (not supplied)
- ✓ Complete with PIR
- ✓ With override facility
- ✓ Stainless Steel body with glass diffuser

TECHNICAL INFORMATION	
Voltage	230V ~ 240V - 50/60Hz
Wattage	1 x 35W Max
IP rating	IP44
Lamp Type	GU10
Class Type	I
Detection Angle	120°
Detection Distance	4 - 8 Metres
Time Delay	(10±5) Secs to (4±1) Min
Mount Height	2.5 Metres
Housing	Stainless Steel Body with Glass Diffuser
Conforms to	BS EN 60598-1

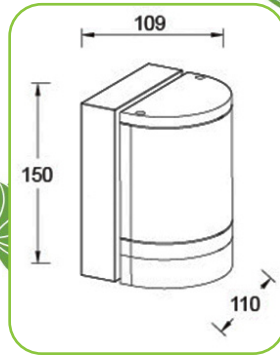


LEDADF21
Down wall Light with PIR - IP44

*5 Year
Guarantee
on Alfresco Range*

Heavy Duty Wall Downlight - IP44

- ✓ 1 x 35W Max
- ✓ GU10 Lamp (not supplied)
- ✓ Grey Heavy Duty Aluminium body with Clear polycarbonate diffuser

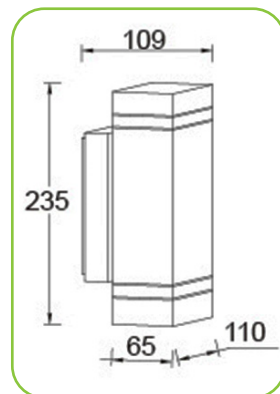


TECHNICAL INFORMATION	
Voltage	230V ~ 240V - 50/60Hz
Wattage	1 x 35W Max
IP rating	IP44
Lamp Type	GU10
Class Type	I
Housing	Aluminium Body with Clear Polycarbonate Diffuser
Conforms to	BS EN 60598-1

LEDAF9
Heavy Duty Wall
Downlight - IP44

LED Up & Down Wall Light - IP44

- ✓ 7.6W, 300 Lumens
- ✓ 4,000K
- ✓ Grey Heavy Duty Aluminium body with Clear polycarbonate diffuser



TECHNICAL INFORMATION	
Voltage	230V ~ 240V - 50/60Hz
Wattage	7.6W
Lumens	300
IP rating	IP44
Colour Temperature	4,000K
Lamp Type	LED
Class Type	I
No of LED's	6
CRI	>80
Housing	Heavy Duty Aluminium Body with Clear Diffuser
Conforms to	BS EN 60598

LEDAF10
LED Up & Down Wall
Light - IP44

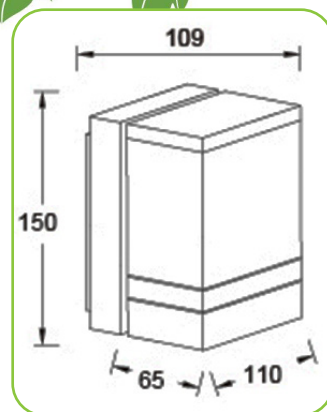


the **LIA**
MEMBER

LED Wall Downlight - IP44

- ✓ 3.8W, 150 Lumens
- ✓ 4,000K
- ✓ Grey - Heavy Duty Aluminium body with Clear polycarbonate diffuser

TECHNICAL INFORMATION	
Voltage	230V ~ 240V - 50/60Hz
Wattage	3.8W
Lumens	150
IP rating	IP44
Colour Temperature	4,000K
Lamp Type	LED
Class Type	I
No of LED's	3
CRI	>80
Housing	Heavy Duty Aluminium Body with Clear Diffuser
Conforms to	BS EN 60598

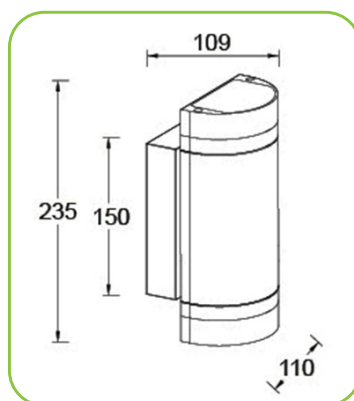


LEDAF11
LED Wall Downlight
- IP44

Heavy Duty Wall Up & Downlight - IP44

- ✓ 2 x 35W Max
- ✓ GU10 Lamp (not supplied)
- ✓ Grey Heavy Duty Aluminium body with Clear polycarbonate diffuser

TECHNICAL INFORMATION	
Voltage	230V ~ 240V - 50/60Hz
Wattage	2 x 35W Max
IP rating	IP44
Lamp Type	GU10
Class Type	I
Housing	Aluminium Body with Clear Polycarbonate Diffuser
Conforms to	BS EN 60598-1

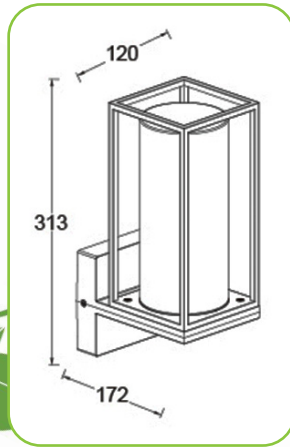


LEDAF8
Heavy Duty Wall Up
& Down Light - IP44

*5 Year
Guarantee
on Alfresco Range*

Heavy Duty Wall Light with PIR - IP44

- ✓ 40W Max
- ✓ E27 Lamp (not supplied)
- ✓ Complete with PIR
- ✓ With override facility
- ✓ Matt Black Heavy Duty Aluminium body with Clear glass diffuser

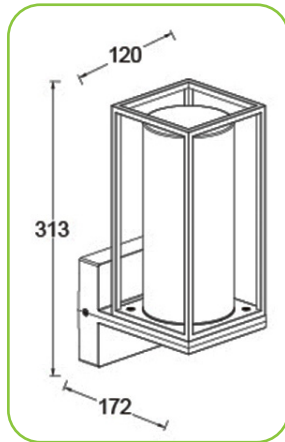


LEDAF15
Heavy Duty Wall Light
with PIR - IP44

TECHNICAL INFORMATION	
Voltage	230V ~ 240V - 50/60Hz
Wattage	40W Max
IP rating	IP54
Lamp Type	E27
Class Type	I
Detection Distance	0 - 7 Metres
Time Delay	5 Secs Min to 3 Mins Max
Mount Height	2.5 Metres
Housing	Aluminium Body with Glass Diffuser
Conforms to	BS EN 60598-1

Heavy Duty Wall Light - IP44

- ✓ 40W Max
- ✓ E27 Lamp (not supplied)
- ✓ Matt Black Heavy Duty Aluminium body with Clear glass diffuser



LEDAF14
Heavy Duty Wall Light

TECHNICAL INFORMATION	
Voltage	230V ~ 240V - 50/60Hz
Wattage	40W Max
IP rating	IP44
Lamp Type	E27
Class Type	I
Housing	Aluminium Body with Glass Diffuser
Conforms to	BS EN 60598-1



LED Down Wall Light- IP54

- ✓ 11W, 500 Lumens
- ✓ 3,000K
- ✓ Heavy Duty Aluminium body with Clear polycarbonate diffuser

TECHNICAL INFORMATION	
Voltage	230V ~ 240V - 50/60Hz
Wattage	11W
Lumens	500
IP rating	IP54
Colour Temperature	3,000K
Lamp Type	LED
Class Type	I
No of LED's	14
CRI	>80
Housing	Heavy Duty Aluminium Body with Clear Diffuser
Conforms to	BS EN 60598



LEDAF1
LED Down Wall Light

LED Wall Light - IP54

- ✓ 15W, 700 Lumens
- ✓ 3,000K
- ✓ Available in - Grey or Rusted Brown Heavy Duty Aluminium body with Opal polycarbonate diffuser

TECHNICAL INFORMATION	
Voltage	230V ~ 240V - 50/60Hz
Wattage	15W
Lumens	700
IP rating	IP54
Colour Temperature	3,000K
Lamp Type	LED
Class Type	I
No of LED's	15
CRI	>80
Housing	Heavy Duty Aluminium Body with Opal Diffuser
Conforms to	BS EN 60598-1



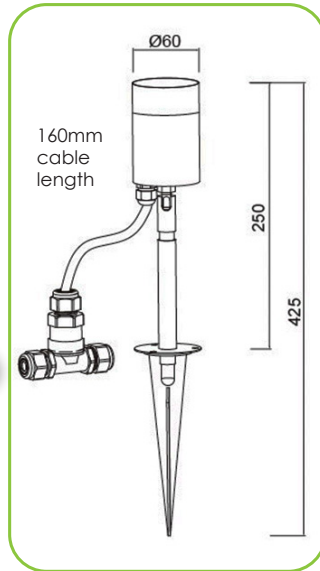
LEDAF12
LED Wall Light
Grey - IP54

LEDAF13
LED Wall Light
Rusted Brown - IP54

*5 Year
Guarantee
on Alfresco Range*

Ground Spike Light - IP44

- ✓ 1 x 35 Max
- ✓ GU10 Lamp (not supplied)
- ✓ Complete with IP68 loop in / loop out connector
- ✓ Stainless Steel body with glass diffuser



LEDAF19
Ground Spike Light
- IP44, Stainless Steel

LEDAF26
Ground Spike Light
- IP44, Graphite

TECHNICAL INFORMATION	
Voltage	230V ~ 240V - 50/60Hz
Wattage	1 x 35W Max
IP rating	IP44
Lamp Type	GU10
Class Type	I
Housing	Stainless Steel Body with Glass Diffuser & Graphite - Stainless Steel body with glass diffuser
Conforms to	BS EN 60598-1

LED Recessed Ground Spot Light - IP67

- ✓ 6.5W, 630 Lumens
- ✓ 4,000K
- ✓ Supplied with IP65 In-line connector
- ✓ Heavy Duty Aluminium body with Clear glass diffuser



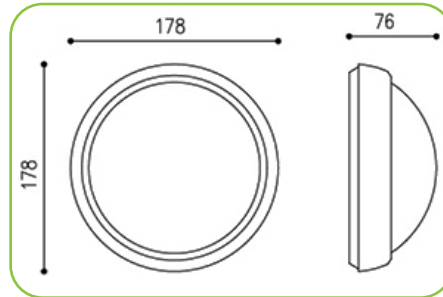
LEDAF16
LED Recessed
Ground Spot Light
- IP67

TECHNICAL INFORMATION	
Voltage	230V - 240V ~ 50/60Hz
Wattage	6.5W
Lumens	630
IP rating	IP67 (In-line connector IP65)
Colour Temperature	4,000K
Lamp Type	LED
Class Type	I
No of LED's	11
CRI	>80
Housing	Heavy Duty Aluminium Body with Clear Diffuser
Conforms to	BS EN 60598

LED Round Bulkhead - IP65

- ✓ 6W, 430 Lumens
- ✓ 3,000K
- ✓ Black trim
- ✓ ABS & polycarbonate body with opal polycarbonate diffuser

TECHNICAL INFORMATION	
Voltage	230V - 240V ~ 50/60Hz
Wattage	6W
Lumens	430
IP rating	IP65
Colour Temperature	3,000K
Lamp Type	LED
Class Type	II
No of LED's	14
CRI	>80
Housing	ABS & Polycarbonate Body with Opal Diffuser
Conforms to	BS EN 60598

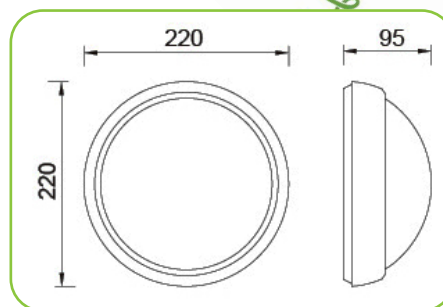


LEDAF27
LED Round Bulkhead - IP65

LED Round Bulkhead - IP65

- ✓ 12W, 900 Lumens
- ✓ 3,000K
- ✓ White trim
- ✓ ABS & polycarbonate body with opal polycarbonate diffuser

TECHNICAL INFORMATION	
Voltage	230V - 240V ~ 50/60Hz
Wattage	12W
Lumens	900
IP rating	IP65
Colour Temperature	3,000K
Lamp Type	LED
Class Type	II
No of LED's	28
CRI	>80
Housing	ABS & Polycarbonate Body with Opal Diffuser
Conforms to	BS EN 60598

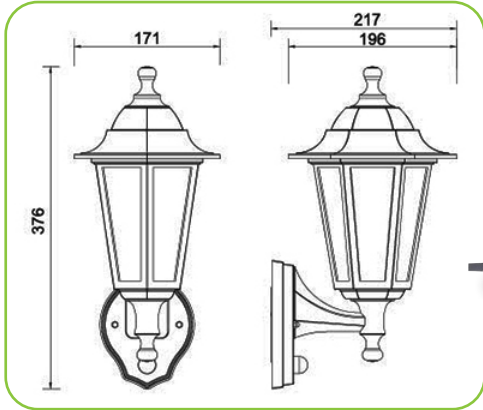


LEDAF28
LED Round Bulkhead - IP65

*5 Year
Guarantee
on Alfresco Range*

Wall Lantern with PIR - IP44

- ✓ 1 x 60W Max
- ✓ E27 Lamp (not supplied)
- ✓ Complete with PIR
- ✓ With override facility
- ✓ Plastic body with glass diffuser



LEDAF32
Wall Lantern with
PIR - IP44

TECHNICAL INFORMATION	
Voltage	230V - 240V ~ 50/60Hz
Wattage	1 x 60W Max
IP rating	IP44
Lamp Type	E27
Class Type	II
Detection Distance	0 - 8 Metres
Time Delay	90 Secs
Mount Height	2.5 Metres
Housing	Plastic Body with Glass Diffuser
Conforms to	BS EN 60598-1

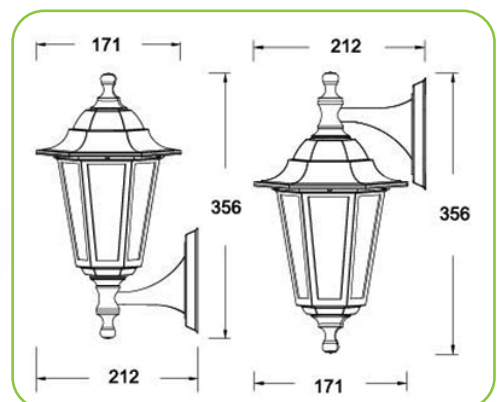
Wall Lantern - IP44

- ✓ 1 x 60W Max
- ✓ E27 Lamp (not supplied)
- ✓ Choice of wall mounts
- ✓ Plastic body with glass diffuser



LEDAF31
Wall Lantern - IP44

TECHNICAL INFORMATION	
Voltage	230V - 240V ~ 50/60Hz
Wattage	1 x 60W Max
IP rating	IP44
Lamp Type	E27
Class Type	II
Housing	Plastic Body with Glass Diffuser
Conforms to	BS EN 60598-1



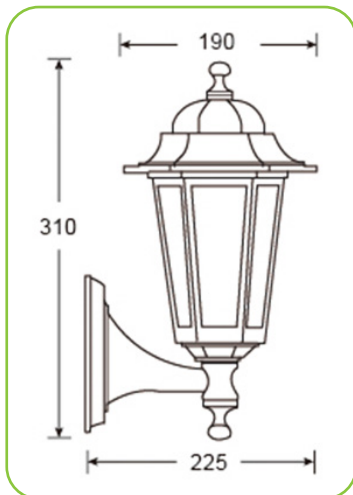
Wall Lantern - IP44

- ✓ 1 x 60W Max
- ✓ E27 Lamp (not supplied)
- ✓ Heavy Duty Aluminium body with glass diffuser

TECHNICAL INFORMATION	
Voltage	230V - 240V ~ 50/60Hz
Wattage	1 x 60W Max
IP rating	IP44
Lamp Type	E27
Class Type	I
Housing	Aluminium Body with Glass Diffuser
Conforms to	BS EN 60598-1



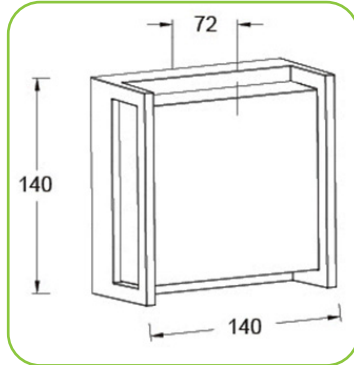
LEDAF29
Wall Lantern - IP44



*5 Year
Guarantee
on Alfresco Range*

LED Wall Light - IP54

- ✓ 8.5W, 650 Lumens
- ✓ 3,000K
- ✓ Heavy Duty Aluminium body with Opal polycarbonate diffuser



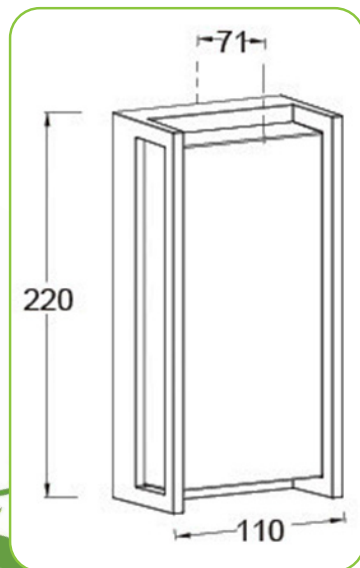
LEDAF42
LED Wall Light - IP54

TECHNICAL INFORMATION	
Voltage	230V - 240V ~ 50/60Hz
Wattage	8.5W
Lumens	650
IP rating	IP54
Colour Temperature	3,000K
Lamp Type	LED
Class Type	I
No of LED's	15
CRI	>80
Housing	Heavy Duty Aluminium Body with Opal Diffuser
Conforms to	BS EN 60598



LED Tall Wall Light - IP54

- ✓ 18W, 1100 Lumens
- ✓ 3,000K
- ✓ Heavy Duty Aluminium body with Opal polycarbonate diffuser



LEDAF43
LED Tall Wall Light - IP54

TECHNICAL INFORMATION	
Voltage	230V - 240V ~ 50/60Hz
Wattage	18W
Lumens	1100
IP rating	IP54
Colour Temperature	3,000K
Lamp Type	LED
Class Type	I
No of LED's	42
CRI	>80
Housing	Heavy Duty Aluminium Body with Opal Diffuser
Conforms to	BS EN 60598



the **LIA**
MEMBER

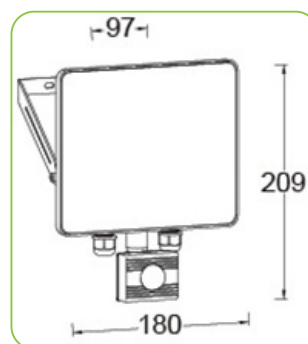
LED Floodlight with PIR - IP54

- ✓ 30W, 2700 lumens
- ✓ 5,000K
- ✓ With override facility
- ✓ Louvre clip on cover available - LEDAF38
- ✓ Heavy Duty Aluminium body with clear glass diffuser



LEDAF36
LED Floodlight
with PIR - IP54

TECHNICAL INFORMATION	
Voltage	230V - 240V ~ 50/60Hz
Wattage	30W
Lumens	2700
IP rating	IP54
Colour Temperature	5,000K
Lamp Type	LED
Class Type	I
No of LED's	42
CRI	>80
Detection Distance	0 - 12 Metres
Time Delay	10 secs to 10 mins
Mount Height	2.5 Metres
Housing	Heavy Duty, Aluminium Body with Clear Diffuser
Conforms to	BS EN 60598



LEDAF38 - Pk Qty 8
Louvre Clip on Panel for
LEDAF35 & LEDAF36 -
Reduces Glare

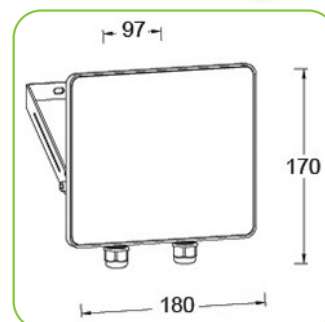
LED Floodlight - IP65

- ✓ 30W, 2700 lumens
- ✓ 5,000K
- ✓ Louvre clip on cover available - LEDAF38
- ✓ Heavy Duty Aluminium body with clear glass diffuser



LEDAF35
LED Floodlight
- IP65

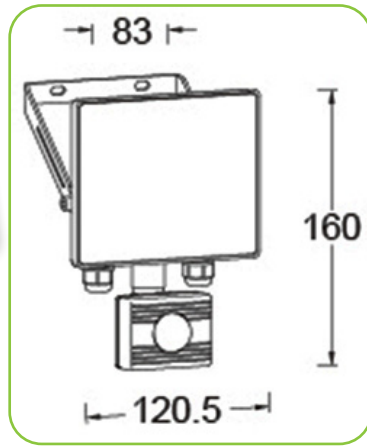
TECHNICAL INFORMATION	
Voltage	230V - 240V ~ 50/60Hz
Wattage	30W
Lumens	2700
IP rating	IP65
Colour Temperature	5,000K
Lamp Type	LED
Class Type	I
No of LED's	42
CRI	>80
Housing	Heavy Duty Aluminium Body with Clear Diffuser
Conforms to	BS EN 60598



*5 Year
Guarantee
on Alfresco Range*

LED Floodlight with PIR - IP54

- ✓ 10W, 900 Lumens
- ✓ 5,000K
- ✓ With override facility
- ✓ Louvre clip on cover available - LEDAF37
- ✓ Heavy Duty Aluminium body with clear glass diffuser

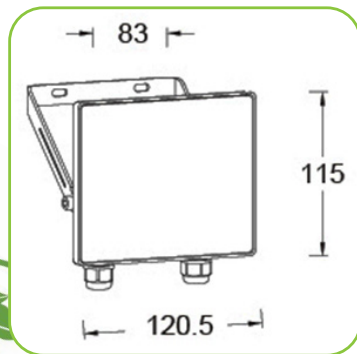


LEDAF34
LED Floodlight
with PIR - IP54

TECHNICAL INFORMATION	
Voltage	230V - 240V ~ 50/60Hz
Wattage	10W
Lumens	900
IP rating	IP54
Colour Temperature	5,000K
Lamp Type	LED
Class Type	I
No of LED's	15
CRI	>80
Detection Distance	0 - 12 Metres
Time Delay	10 secs to 10 mins
Mount Height	2.5 Metres
Housing	Heavy Duty Aluminium Body with Clear Diffuser
Conforms to	BS EN 60598

LED Floodlight - IP54

- ✓ 10W, 900 Lumens
- ✓ 5,000K
- ✓ Louvre clip on cover available - LEDAF37
- ✓ Heavy Duty Aluminium body with clear glass diffuser



LEDAF33
LED Floodlight
- IP54

TECHNICAL INFORMATION	
Voltage	230V - 240V ~ 50/60Hz
Wattage	10W
Lumens	900
IP Rating	IP65
Colour Temperature	5,000K
Lamp Type	LED
Class Type	I
No of LED's	15
CRI	>80
Housing	Heavy Duty Aluminium Body with Clear Diffuser
Conforms to	BS EN 60598

LEDAF37 - Pk Qty 8
Louvre Clip on Panel for
LEDAF33 & LEDAF34 -
Reduces Glare

IP44 7W LED Porch Lanterns

These traditional 3 and 6 sided outdoor porch lanterns are ideal for entrance ways, porches, gardens and passage way. Available in Black finish with and without PIR.

- ✓ Low energy alternative to standard wall lanterns
- ✓ Instant illumination
- ✓ Rust proof rugged polycarbonate
- ✓ Available with or without PIR
- ✓ Traditional design
- ✓ 3 Year Guarantee

*Available with
& without PIR*

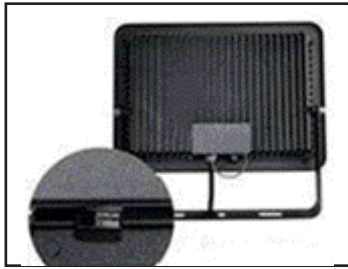


	PLLED3BN	PLLED3PIRBN PIR Version	PLLED6BN	PLLED6PIRBN PIR Version
Description	Black Porch Lantern	Black Porch Lantern with PIR	Black Porch Lantern	Black Porch Lantern with PIR
Voltage	230V AC ~ 50Hz			
PIR Specification	-	PIR Detection Angle: 120° Detection Motion Speed: 0.6 - 1.5m/s Detection Distance: 8M±2M Duration Time: 40 secs	-	PIR Detection Angle: 120° Detection Motion Speed: 0.6 Detection Distance: 8M±2M Duration Time: Adj 5 secs to 6 mins
Barcode	5012739 645426	5012739 645433	5012739 645402	5012739 645419
Product Weight	0.65kg	0.70kg	0.60kg	0.65kg
Product Dimensions	H362 x W175 x D100mm		H370 x W205 x D210mm	
Product Finish	Polycarbonate Black base & Clear diffuser		Polycarbonate Black base & Poly methyl methacrylate diffuser	
Beam Angle	120°		360°	
IP Rating	IP44			
Lamp Type	LED non replaceable			
Max Wattage	7W			
Lumens	550			
Colour Temperature	4000K			
Class	II			
F Marked	Suitable for installation on to normal flammable surfaces			
Life Span	30,000hrs			
Guarantee	3 Years			
Certification & Conformity	EN 60598-2-1			

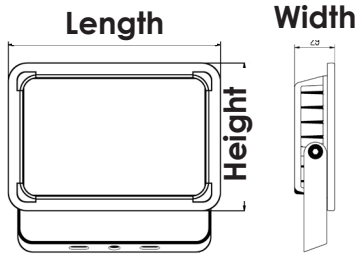
*Low Energy -
alternative to standard wall lanterns*

LED Slimline Floodlights

- ✓ IP65
- ✓ Slimline design
- ✓ Die-casting aluminium and tempered glass
- ✓ Lower energy alternative
- ✓ 7 wattage options available in 2 colour temperatures
- ✓ 8 PIR options available
- ✓ 2 Year Guarantee



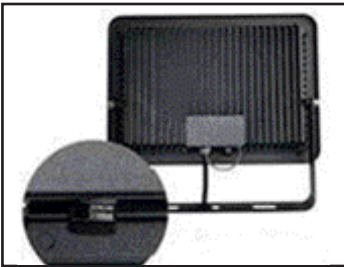
Breather valve to avoid condensation



	LEDFL10BWW	LEDFL10B	LEDFL20BWW	LEDFL20B	LEDFL30BWW	LEDFL30B	LEDFL50BWW	LEDFL50B	LEDFL100BWW	LEDFL100B	LEDFL150BWW	LEDFL150B	LEDFL200BWW	LEDFL200B
LED Power Consumption	10W		20W		30W		50W		100W		150W		200W	
Barcode	5012739 647628	5012739 647383	5012739 647635	5012739 647390	5012739 647642	5012739 647406	5012739 647659	5012739 647413	5012739 647666	5012739 647420	5012739 647673	5012739 647437	5012739 647680	5012739 647444
Colour	Black													
Power Rating	200-240V AC ~50Hz													
Colour Temp	3,000K	6,500K	3,000K	6,500K	3,000K	6,500K	3,000K	6,500K	3,000K	6,500K	3,000K	6,500K	3,000K	6,500K
Class	1													
IP Rating	IP65													
Switch Cycle	100,000													
Temp Range	-20°C - +45°C													
Lead length	0.9 Metre													
Total Lumens	900 (90 lm/W)		1800 (90 lm/W)		2700 (90 lm/W)		4500 (90 lm/W)		8000 (80 lm/W)		12,000 (80 lm/W)		16,000 (80 lm/W)	
Beam Angle	120°													
Product Weight	274g		411.5g		591.5g		1027g		1997g		3137g		4522.5g	
Dimensions L x H x W	115 x 80 x 25mm		150 x 104 x 29mm		180 x 125 x 32mm		233 x 160 x 40mm		318 x 227 x 53mm		380 x 266 x 55mm		460 x 321 x 55mm	
Life Span	35,000hrs													
Guarantee	2 Years													
Conforms To	BS EN 60598-2-5													

LED Slimline Floodlights with PIR

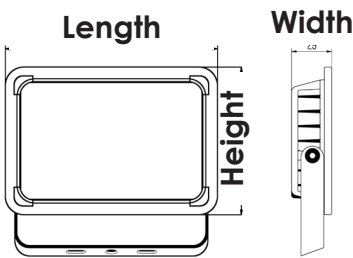
- ✓ IP65 *
- ✓ Slimline design
- ✓ Manual override
- ✓ Die-casting aluminium and tempered glass
- ✓ Lower energy alternative
- ✓ 4 PIR options available in Cool White or Warm White
- ✓ 2 Year Guarantee



Breather valve to avoid condensation



* Fitting IP65 - PIR IP44



LEDFLPIR10BWW	LEDFLPIR10B	LEDFLPIR20BWW	LEDFLPIR20B	LEDFLPIR30BWW	LEDFLPIR30B	LEDFLPIR50BWW	LEDFLPIR50B
---------------	-------------	---------------	-------------	---------------	-------------	---------------	-------------

LED Power Consumption	10W		20W		30W		50W	
Barcode	5012739 647697	5012739 647451	5012739 647703	5012739 647468	5012739 647710	5012739 647475	5012739 647727	5012739 647482
Colour	Black							
Power Rating	200-240V AC ~50Hz							
Colour Temp	3,000K	6,500K	3,000K	6,500K	3,000K	6,500K	3,000K	6,500K
Class	1							
IP Rating	IP65 (PIR IP44)							
Switch Cycle	100,000							
Temp Range	-20°C - +45°C							
Lead length	0.9 Metre							
Total Lumens	900 (90 lm/W)		1800 (90 lm/W)		2700 (90 lm/W)		4500 (90 lm/W)	
Beam Angle	120°							
Detection Distance	2 to 10 metres							
Time Delay	5 secs to 6 mins							
Mount Height	1.8 to 2.5 metres							
Product Weight	325.5g		456.5g		637g		1064g	
Dimensions L x H x W	115 x 80 x 54mm		150 x 104 x 54mm		180 x 125 x 54mm		233 x 160 x 55mm	
Life Span	35,000hrs							
Guarantee	2 Years							
Conforms To	BS EN 60598-2-5							

IP65 LED Circular Bulkheads



- ✓ Opal Polycarbonate diffuser
- ✓ Supplied with Matt Black narrow bezel
- ✓ Conduit entry points for through wiring
- ✓ Additional bezels are available in Matt Black complete with tamper-proof screws or a Gloss White clip on bezel
- ✓ Range consists of Standard / Emergency / Microwave Presence Detector / Emergency with Microwave Presence Detector



**Shown with White Gloss White
Clip on Bezel**

NV14WT - 330mm dia x 90mm high
NV22WT - 405mm dia x 90.2mm high



**Shown with Matt Black
Tamper-proof Screws Bezel**

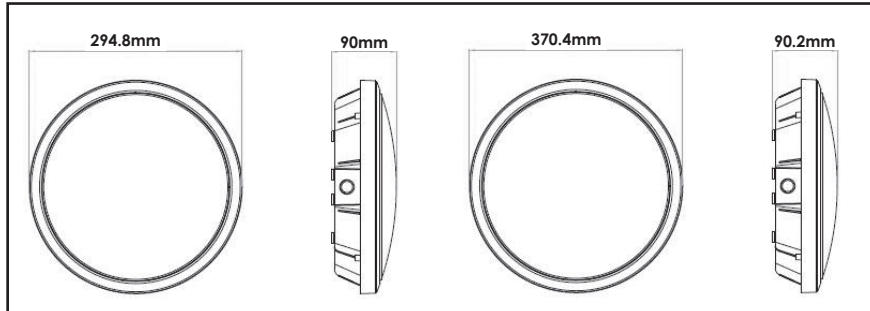
NV14BT - 320mm dia x 90mm high
NV22BT - 395mm dia x 90.2mm high

	NV14 Standard	NV22 Standard	NV14M Microwave Presence Detector	NV22M Microwave Presence Detector
Wattage	12W	21W	13W	22W
Barcode	5012739650956	5012739651014	5012739650970	5012739651038
Power Rating	230V AC ~50Hz		230V AC ~50Hz	
Class	Class II		Class II	
Running Current	300mA	500mA	302mA	502mA
Lumen Output (Lm)	1100	2200	1100	2200
Lumens per Watt	92	105	85	102
IP Rating	IP65		IP65	
Power Factor	>0.5	>0.9	>0.5	>0.9
CRI	>80		>80	
Life Expectancy	50,000 hrs		50,000 hrs	
SDCM*	<6		<6	
Beam Angle	120°		120°	
Colour Temperature	4,000K		4,000K	
Operating Temperature	-10°C to +40°C		-10°C to +40°C	
Detection Range	-	-	Maximum - 10M dia x 6 Metres high	
Lux Level	-	-	2,10,50 Lux or disable	
Installation Height	-	-	6 Metres	
Time Delay	-	-	5 Secs, 90 Secs, 5 Mins, 15 Mins	
Microwave Sensor	-	-	Ultranik	
Weight	832g	1325g	825.5g	1375g
Dimensions	294.8mm Diameter X 90mm high	370.4mm Diameter X 90.2mm high	294.8mm Diameter X 90mm high	370.4mm Diameter X 90.2mm high
Guarantee	3 Years		3 Years	
Conforms To	BS EN60598-1		BS EN60598-1	

IP65 LED Circular Bulkheads - Emergency

- ✓ Opal Polycarbonate diffuser
- ✓ Supplied with Matt Black narrow bezel
- ✓ Conduit entry points for through wiring
- ✓ Additional bezels are available in Matt Black complete with tamper-proof screws or a Gloss White clip on bezel
- ✓ Range consists of Standard / Emergency / Microwave Presence Detector / Emergency with Microwave Presence Detector

*One Fitting - three options...
(When you buy the extra bezels)*



	NV14EM Emergency	NV22EM Emergency	NV14EMM Emergency & Microwave Presence Detectors	NV22EMM Emergency & Microwave Presence Detectors
Wattage	14W	23W	15W	24W
Barcode	5012739650963	5012739651021	5012739650987	5012739651045
Power Rating	230V AC ~50Hz		230V AC ~50Hz	
Class	Class II		Class II	
Running Current	470mA	670mA	472mA	672mA
Lumen Output (Lm)	1100	2200	1100	2200
Lumens per Watt	79	96	73	94
IP Rating	IP65			
Power Factor	>0.5	>0.9	>0.5	>0.9
CRI	>80			
Life Expectancy	50,000 hrs			
SDCM*	<6			
Beam Angle	120°			
Colour Temperature	4,000K			
Operating Temperature	-10°C to +40°C			
Detection Range	-	-	Maximum - 10M dia x 6 Metres high	
Lux Level	-	-	2,10,50 Lux or disable	
Installation Height	-	-	6 Metres	
Time Delay	-	-	5 Secs, 90 Secs, 5 Mins, 15 Mins	
Microwave Sensor	-	-	Ultranik	
Battery	Ni-Cd 3.6V, 2,000mAh			
Emergency Operation	Greater than 3 hours			
Mode of Operation	Maintained			
Weight	977g	1541g	1025g	1614g
Dimensions	294.8mm Diameter X 90mm high	370.4mm Diameter X 90.2mm high	294.8mm Diameter X 90mm high	370.4mm Diameter X 90.2mm high
Guarantee	3 Years			
Conforms To	BS EN60598-1			

LED Anti Corrosive Fittings

- ✓ Polycarbonate frosted diffuser, Polycarbonate base, metal gear tray
- ✓ Single & Twin fittings in 2 lengths
- ✓ Available in Emergency Fittings
- ✓ Fitting includes LED driver
- ✓ Tamper proof screws
- ✓ Metal latching clips for diffuser

Emergency Fittings Available



	ACPLEDS5	ACPLEDT5	ACPLEDS6	ACPLEDT6	ACPLEDS5EM Emergency	ACPLEDT5EM Emergency	ACPLEDS6EM Emergency	ACPLEDT6EM Emergency
Power Rating	220V-240V AC ~50Hz							
Barcode	5012739 648427	5012739 648434	5012739 648441	5012739 648458	5012739 648465	5012739 648472	5012739 648489	5012739 648496
Wattage	30W	60W	40W	80W	30W	60W	40W	80W
Length	5ft		6ft		5ft		6ft	
Power Rating	230V AC ~ 50Hz							
Lumens Output	3300	6600	4400	8800	3300	6600	4400	8800
No of Clips	12							
Class	Class 1							
IP Rating	IP65							
Beam Angle	120°							
Operating Range	-20°C - +40°C							
Main Housing	Polycarbonate frosted diffuser, Polycarbonate base							
Dimensions	L1532 x W85 x H78	L1532 x W104 x H78	L1794 x W85 x H78	L1794 x W104 x H78	L1532 x W85 x H78	L1532 x W104 x H78	L1794 x W85 x H78	L1794 x W104 x H78
Fixing Centres	950mm		1000mm		950mm		1000mm	
Colour Temperature	5,000K							
SDCM	<6							
Battery Type	n/a				Ni-Cd 6V, 2Ah			
Ballast Type	LED driver							
Knock-out Size	20mm							
No of Knock-outs	6	6	8	8	6	6	8	8
CRI	>80							
Power Factor	>0.9							
Life Expectancy	30,000 hrs							
Guarantee	3 Years							
Conforms To	EN60598-1 & BSEN60598-2-1							

IP65 Rectangular Bulkheads

- ✓ IP65
- ✓ LED options available
- ✓ Suitable for wall or ceiling mounting

Suitable for wall or ceiling mounting



	LEDPOLYO	LEDPOLYP	POLY	POLYP	POLYR
Product Finish	Polycarbonate				
Description	LED Rectangular Bulkhead		Rectangular Bulkhead		
Voltage	230V AC ~ 50Hz				
Product Dimensions	H97 x W245 x D125mm	H128 x W244 x D125mm	H130 x W240 x D100mm	H120 x W240 x D130mm	H130 x W240 x D100mm
Product Weight	567g	638g	481g	468g	477.5g
Barcode	5012739 641459	5012739 628467	5012739 609107	5012739 609114	5012739 609121
IP Rating	IP65				
Lamp Type	LED		B22 GLS (Lamp not supplied)		
Max Wattage	6W		100W		
Lumens	353 lm, 59 lm/W	420 lm, 70 lm/W	-		
Colour Temperature	4,000K		-		
Class	I		I	II	I
F Marked	Suitable for installation onto flammable surfaces		-		
Main Housing Material	Polycarbonate Base with Opal Diffuser	Polycarbonate Base with Clear Diffuser	Non-corrosive Clear diffuser with Aluminium base	Clear diffuser with Black polycarbonate base	Non-Corrosive Red diffuser with Aluminium base
Guarantee	3 Years		1 Year		
Certification & Conformity	EN 60598-2-1				

IP65 2.5W LED Emergency Mini Bulkhead

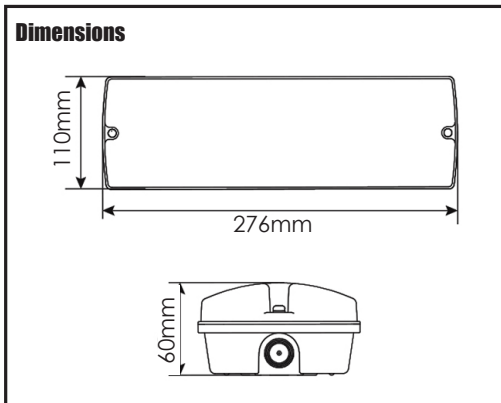
Cost effective emergency luminaires for interior and exterior applications. Constructed from impact resistant high gloss polycarbonate and can be wall or ceiling mounted.

- ✓ Hinged gear tray
- ✓ Quick Connect terminals
- ✓ Legend pack included as shown below
- ✓ Facility for remote switching
- ✓ 4 x 20mm entry points (one at each end, one on side & one on the back of unit)
- ✓ Built in battery protection & charge indicator
- ✓ Link changeable to Maintained / Non-Maintained
- ✓ Emergency operation duration 3 Hours
- ✓ 3 Year Guarantee



**ELLEDBULK
Mini LED Bulkhead Unit**

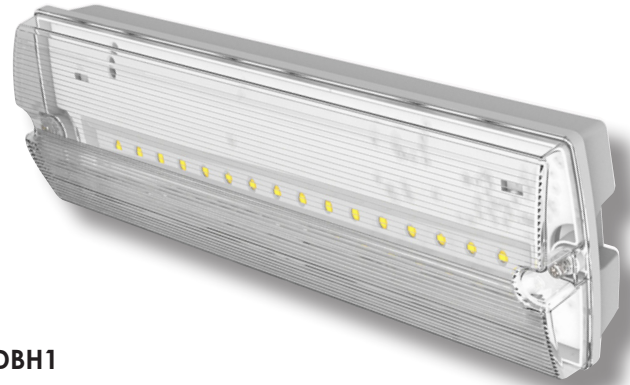
**Non-Maintained /
Maintained**



	ELLEDBULK
Description	Led Mini Bulkhead
Barcode	5012739645389
Voltage	220-240V ~ 50/60Hz
Emergency Power	2.5W
Lumen Output Mains	170 lumens
Lumen Output Battery	110 lumens
Emergency Duration	3 Hours
IP Rating	IP65
Power Factor	0.2
Class Type	I
Colour Temperature	6500K
Ambient Temperature	0°C - 40°C
Function	Maintained
Battery Type	Li-FePO4 18650 / 3.2V / 1000mAh
Dimensions (mm)	L276 x W110 x D60mm
LED Model & Qty	2835 /14 pieces
Charge Time	24 Hours
Beam Angle	120°
Deep Discharge Protection Voltage	3V
Overcharged Protection Voltage	3.6V
Mounting Type	Surface Mounting
Material	Polycarbonate
RAL Colour	RAL 9003
Entry Points	20mm
Product Weight	426g
Guarantee	3 Years
Conforms To	BS EN60598-2-22:2014+A1 BS EN IEC 60598-1:2021 BS EN 62471:2008 BS EN 62493:2015

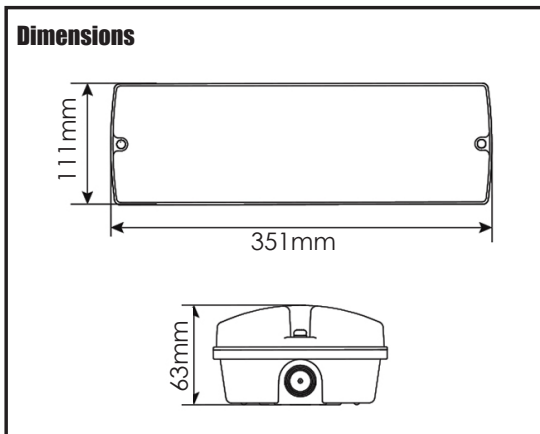
IP65 3W LED Emergency Bulkhead

- ✓ Quick Connect terminals
- ✓ Facility for remote switching
- ✓ 3 x 20mm entry points (one at each end & one on the side)
- ✓ Built in battery protection & charge indicator
- ✓ Hinged Gear Tray
- ✓ Emergency operation duration 3 Hours
- ✓ Link chargeable to Maintained / Non Maintained
- ✓ Legend pack included
- ✓ 3 Year Guarantee



ELLEDBH1
3W LED Bulkhead

Non-Maintained / Maintained



Complete with vinyl self adhesive legends which can make - Arrow down, Arrow Up, Arrow Right & Arrow Left as required

	ELLEDBH1
Description	Led Bulkhead
Barcode	5012739647550
Voltage	220-240V ~ 50.60Hz
Emergency Power	3W
Lumens	150 lumens
Emergency Duration	3 Hours
IP Rating	IP65
Class Type	II
Colour Temperature	6500K
Ambient Temperature	0°C - 45°C
Function	Maintained
Battery Type	Ni-Cd 3.6V / 1.5Ah
Dimensions (mm)	L351 x W111 x D63mm
Charge Time	24 Hours
Beam Angle	120°
Mounting Type	Surface Mounting
Material	Polycarbonate
Entry Points	20mm
Product Weight	610g
Guarantee	3 Years
Conforms To	BS EN60598-2-22:2014+A1 BS EN IEC 60598-1:2021 BS EN 62471:2008 BS EN 62493:2015

IP65 10W LED Emergency Bulkhead - N/M

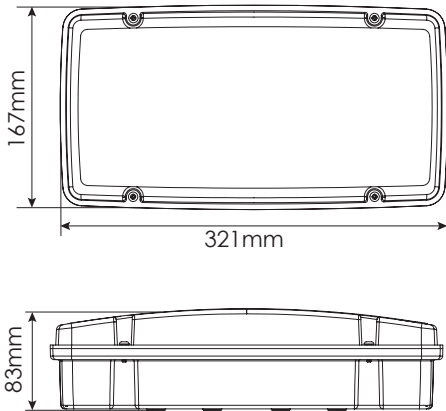
Heavy Duty emergency luminaires with selectable lumen output. Ideal for use where higher lumen output would be required e.g. warehouse environments at approx 12M install height, plant rooms and lift shafts.

- ✓ Selectable lumen output - 1000 / 1500 lumens
- ✓ Gear tray integrated into diffuser for easy installation
- ✓ Self Test fitting part code - GBGMHOSTEMWH
- ✓ 7 x 20mm entry points
- ✓ Emergency operation duration 3 Hours



**GBGMHOEMWH
LED Emergency
Bulkhead Unit**

**Non-Maintained /
Self Test**



**Selectable
Lumen Output**

Spacing Data (1 Lux)

Mounting Height (m)							
	2.50	5.52	13.03	14.48	16.75	16.75	6.94
	3.00	6.10	14.38	16.75	18.88		7.81

	GBGMHOEMWH	GBGMHOSTEMWH
Description	High Output LED Bulkhead - Standard	High Output LED Bulkhead - Self Test
Barcode	5012739654961	5012739654978
Voltage	220-240V / 50/60Hz	
Emergency Power	10W	
Lumen Output Mains	1000lm / 1500lm selectable	
Emergency Duration	3 Hours	
IP Rating	IP65	
Power Factor	>0.3	
Class Type	II	
Colour Temperature	6500k	
Ambient Temperature	5°C - 45°C	
Function	Standard	Self Test
Battery Type	Li-FePO4 6.4V6.6Ah	
Dimensions (mm)	L321 x W167 x D83mm	
Charge Time	24 Hours	
Beam Angle	135°	
Mounting Type	Surface Mounting	
Material	Polycarbonate	
RAL Colour	RAL 9003	
Entry Points	7 x 20m O/D	
Product Weight	1350g	
Guarantee	3 Years	
Conforms To	BS EN60598-2-22:2014+A1 BS EN IEC 60598-1:2021 BS EN 62471:2008 BS EN 62493:2015	

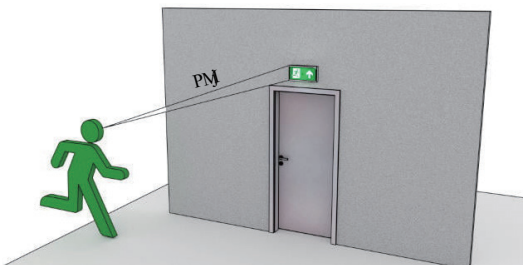


IP20 3W LED Emergency Exit Sign

- ✓ Maintained
- ✓ Wall/Ceiling Exit Sign
- ✓ Separate kits available for recessed, suspended and flag mounting
- ✓ Viewing distance 30m
- ✓ LED Indicator
- ✓ Supplied with arrow up legend
- ✓ Other options available - Self test
- ✓ Emergency operation duration 3 hours



Viewing Distance



Legends



RAZLEGDOWN
Down Arrow Legend



RAZLEGLR
Reversible Left & Right Arrow Legend

RAZEMEXITSGNUP

Description	LED Exit Sign supplied with 'Up' legend
Barcode	5012739 654770
Voltage	220-240V ~ 50.60Hz
Emergency Power	3W
Emergency Lumens	22.84 lumens
IP Rating	IP20
Viewing Distance	30m
Emergency Duration	3 Hours
Colour Temperature	6500K
Ambient Temperature	5°C - 45°C
Function	Maintained
Battery Type	LiFePO4 3.2V 1.1Ah
Dimensions (mm)	L313 x W212 x D42mm
Beam Angle	235°
Mounting Type	Ceiling / Recessed / Suspended Flag / Wall mounting
Material	Polycarbonate
RAL Colour	RAL 9003
Product Weight	512g
Guarantee	3 years
Conforms to	BS EN60598-2-22:2014+A1 BS EN IEC 60598-1:2021 BS EN 62471:2008 BS EN 62493:2015

	RAZSUSPKIT	RAZRECKIT	RAZFLAGMNTKIT
--	-------------------	------------------	----------------------

	RAZSUSPKIT	RAZRECKIT	RAZFLAGMNTKIT
Description	Suspension Mounting Kit	Recess Mounting Kit	Flag Mounting Kit
Barcode	5012739654800	5012739654794	5012739654787
Material	Polycarbonate		
RAL Colour	RAL 9003		
Product Weight	212g	204g	130g
Guarantee	3 years		
Conforms to	BS EN60598-2-22:2014+A1, BS EN IEC 60598-1:2021, BS EN 62471:2008, BS EN 62493:2015		

IP20 3W LED Emergency Exit Sign - Mounting Kit Options



Suspended

RAZSUSPKIT



Recessed

RAZRECKIT



Flag

RAZFLAGMNTKIT

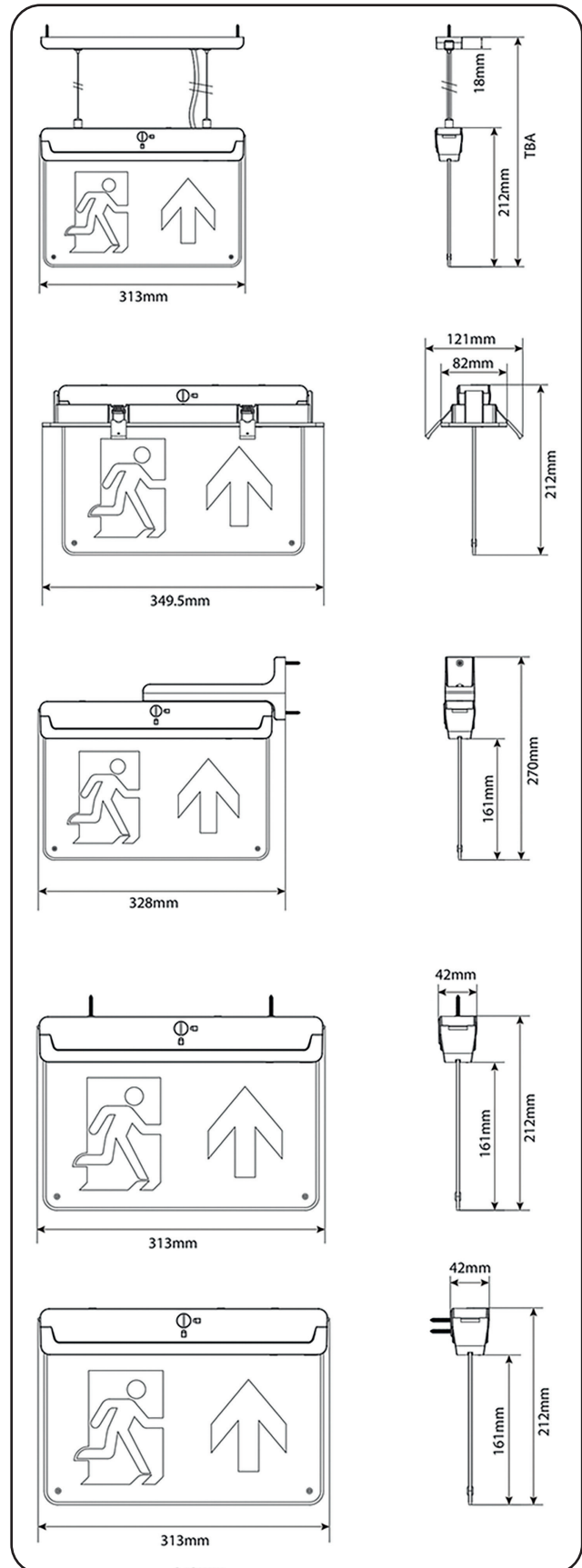


Ceiling

RAZEMEXITSGNUP



Wall

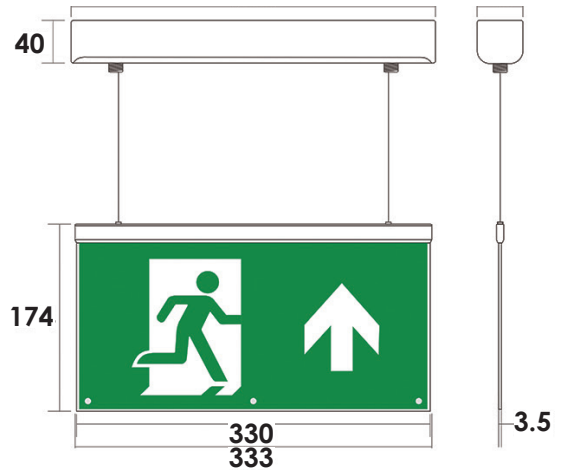


IP20 LED Emergency Hanging Sign

- ✓ Double sided, edge lit, acrylic blade
- ✓ Legends interchangeable
- ✓ LED status indicator
- ✓ Slim profile
- ✓ Ceiling mount included
- ✓ Adjustable hanging height
- ✓ Emergency operation duration 3 hours



**Non-Maintained /
Maintained**



ELLEDH1
Emergency Hanging Sign
Maintained 2W

Additional Legends



ELLEDHDN
Down Arrow



ELLEDHR
Right Arrow



ELLEDHL
Left Arrow

ELLEDH1	
Description	Emergency Hanging Sign
Wattage	Maintained 2W
Product Weight	533g
Barcode	5012739 645464
IP Rating	IP20
Lamp Type	LED Non-replaceable
Class Type	Class I
Operating Temp Range	0°C - 40°C
Colour Temp	6500K
Lumen Output	Battery (Emergency Mode) 22 lm
Viewing Distance	24 metres
Battery Type	Ni-Cd 3.6V / 800mAh
Voltage	230V / 240V AC ~ 50Hz
Battery Life at 20°C	>4 Year
Guarantee	3 Years
Certification & Conformity	BS EN60598-2-22:2014+A1 BS EN IEC 60598-1:2021 BS EN 62471:2008 BS EN 62493:2015

* Products may differ slightly from those shown



ULTRA SLIM FITTING

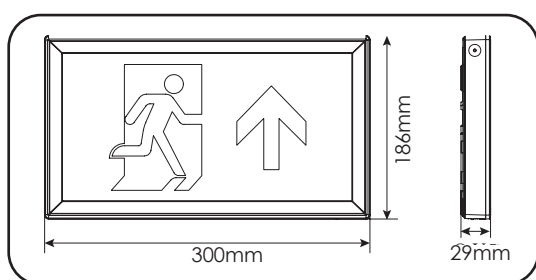
IP20 4W LED Emergency Exit Box

- ✓ Maintained
- ✓ Ultra slim modern design
- ✓ With angle adjustable down light
- ✓ Facility for remote switching
- ✓ Supplied with arrow up legend
- ✓ Other options available - Self test & Black frame
- ✓ Emergency operation duration 3 hours
- ✓ Emergency operation selectable duration 1H/3H/8H

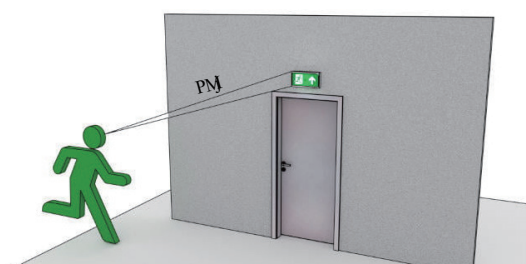


CLIFFEXITBOXUP

Dimensions



Viewing Distance



Legends



CLIFFLEGDOWN
Down Arrow Legend



CLIFFLELEFT
Left Arrow Legend

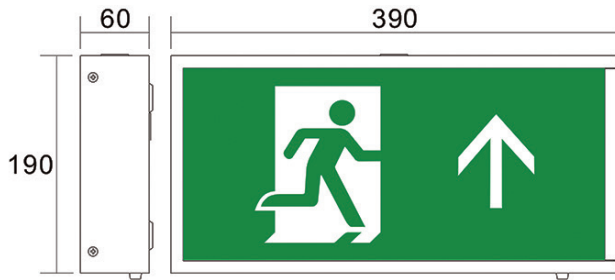


CLIFFLERIGHT
Right Arrow Legend

	CLIFFEXITBOXUP
Description	LED Exit Box supplied with 'Up' legend
Barcode	50127396654831
Voltage	220-240V~ 50.60Hz
Emergency Power	<4W
Luminaire Lumens & Emergency Lumens	10 lumens (legend) 80 lumens (downward light)
Emergency Duration	3 Hours
IP Rating	IP20
Viewing Distance	30m
Class Type	II
Colour Temperature	6500K
Ambient Temperature	5°C - 45°C
Function	Maintained
Battery Type	LiFePO4 3.2V 1.5Ah
Dimensions (mm)	L330 x W186 x D29mm
Beam Angle	103°
Mounting Type	Wall Mounting
Material	Polycarbonate
RAL Colour	RAL 9003
Product Weight	760g
Guarantee	3 years
Conforms to	BS EN 60598-2-22: 2014 + A1, BS EN IEC 60598-1:2021, BS EN 62471:2008, BS EN 62493:2015

IP20 LED Emergency Exit Sign

- ✓ Suitable for maintained and non-maintained usage
- ✓ Facility for remote switching
- ✓ Supplied with Arrow Up / Forward Legend
- ✓ Can be used with 20mm conduit
- ✓ Emergency operation duration 3 hours



ELLEDEXIT
Emergency Exit Sign
Maintained / Non-Maintained

Additional Legends

ELLEXDN
Down Arrow

ELLEXN
Left / Right Arrow

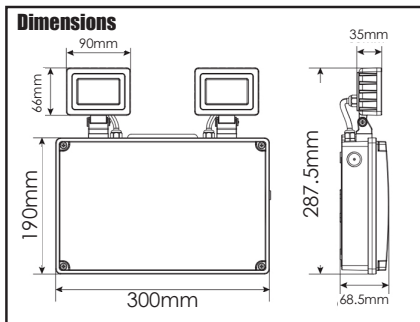
	ELLEDEXIT
Description	Emergency Exit Sign
Wattage	Non-Maintained 4.3W
Product Weight	1400g
Barcode	5012739 645471
IP Rating	IP20
Lamp Type	LED Non-replaceable
Class Type	Class I
Operating Temp Range	0°C - 40°C
Colour Temp	6500K
Lumen Output	Battery (Emergency Mode) 34 lm
Charge Time	24 hours
Viewing Distance	24m
Battery Type	Ni-Cd 3.6V / 1800mAh
Voltage	230V / 240V AC ~ 50Hz
Battery Life	>4 Year
Guarantee	3 Years
Certification & Conformity	BS EN60598-2-22:2014+A1 BS EN IEC 60598-1:2021 BS EN 62471:2008 BS EN 62493:2015

LED IP65 & IP20 Emergency Twin Spot

- ✓ Non Maintained
- ✓ Adjustable heads
- ✓ Modern Style
- ✓ Individual LED lamp health indicators
- ✓ Other options available for IP65 Twin Spot - Self test
- ✓ Emergency operation duration 3 hours



POWBEAMTWINIP65
LED Twin Spot - IP65

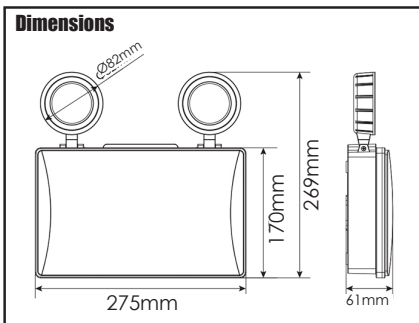


Spacing Data (1 Lux)

Mounting Height (m)	Diagram 1	Diagram 2	Diagram 3	Diagram 4	Diagram 5
2.50	5.07	12.10	11.76	11.34	4.69
3.00	5.44	13.16	12.72	12.20	5.01



POWLITETWINIP20
LED Twin Spot - IP20



Spacing Data (1 Lux)

Mounting Height (m)	Diagram 1	Diagram 2	Diagram 3	Diagram 4	Diagram 5
2.50	4.10	10.10	10.03	10.10	4.14
3.00	4.31	10.79	10.74	10.80	4.37

	POWBEAMTWINIP65	POWLITETWINIP20
Description	LED Twin Spot - IP65	LED Twin Spot - IP20
Barcode	5012739654879	5012739654886
Voltage	220-240V ~ 50.60Hz	
Emergency Power	2.2W (Charging mode) 4W (Discharge mode)	1.5W (Charging mode) 2.5W (Discharge mode)
Lumen	500 lumens (2 x 250 lms)	300 lumens (2 x 150 lms)
Emergency Lumens	540 lumens	300 lumens
IP Rating	IP65	IP20
Class Type	II	
Emergency Duration	3 Hours	
Colour Temperature	6500K	
Ambient Temperature	5°C - 45°C	
Function	Non-Maintained	
Battery Type	LiFePO4 6.4V 3.3Ah	LiFePO4 3.2V 3.3Ah
Beam Angle	120°	
Mounting Type	Wall Mounting	
Material	Polycarbonate	
RAL Colour	RAL 9003	
Product Weight	1102g	670g
Guarantee	3 Years	
Conforms to	BS EN 60598-2-22:2014+A1 BS EN IEC 60598-1:2021 BS EN 62471:2008 BS EN 62493:2015	



IP20 1.2W LED Emergency Downlight

- ✓ Non Maintained
- ✓ White bezel
- ✓ Supplied with two interchangeable lenses (open area & corridor)
- ✓ Driver & battery housing foldable for shallow ceiling voids
- ✓ Status indicator built in
- ✓ Other options available - Self test
- ✓ Emergency operation duration 3 hours



SPOTEMDL1W



Open Area Lens

Open Area Spacing Data (1 Lux)

Mounting Height (m)					
2.50	2.27	6.64	6.55	6.66	2.33
3.00	2.11	6.64	6.56	6.67	2.16



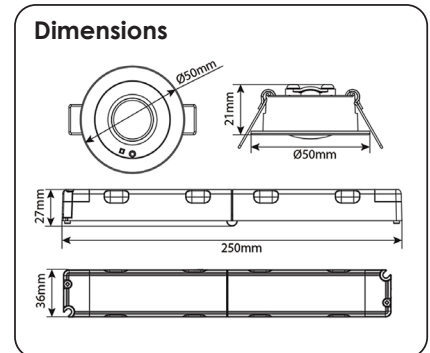
Corridor Lens

Corridor Spacing Data (1 Lux)

Mounting Height (m)					
2.50	6.22	16.80	10.46	4.65	1.53
3.00	5.08	17.17	9.87	4.49	1.40

	SPOTEMDL1W
Description	LED Emergency Downlight
Barcode	5012739654893
Voltage	220-240V ~ 50.60Hz
Emergency Power	1.2W (charging power) 0.4W (charging power with full battery) 1W (Emergency mode)
Emergency Lumens	120 lumens (open area lens) 130 lumens (corridor lens)
IP Rating	IP20
Emergency Duration	3 Hours
Colour Temperature	6500K
Ambient Temperature	5°C - 45°C
Function	Non-Maintained
Battery Type	LiFePO4 3.2V 1.5Ah
Beam Angle	Open Area - 165° Corridor - 160 x 50°
Dimensions	Lamp Head: Ø50 x 21mm Cut out: Ø43 -44mm Converter: 250 x 27 x 36mm
Mounting Type	Recessed mounted
Material	Polycarbonate
RAL Colour	RAL 9003
Product Weight	180g
Guarantee	3 Years
Conforms to	EN 60598-1:2015+A1:2018, BS EN 60598-1:2015+A1:2018, EN 60598-2-2:2012, BS EN 60598-2-2:2012, EN 60598-2-22:2014+A1:2020, BS EN 60598-2-22:2014+A1:2020, EN 62493:2015, BS EN 62493:2015

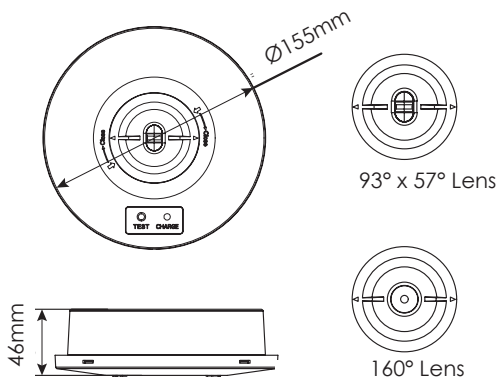
Spacing Table Information	
	Wall to light (Transverse)
	Light to light (Transverse)
	Light to light (Transverse to Axial)
	Light to light (Axial to Axial)
	Light to Wall (Axial)



LED IP65 Emergency Escape Downlight

- ✓ For use in Escape areas
- ✓ Supplied with two interchangeable lenses (open area & corridor)
- ✓ Available in Round & Square fittings
- ✓ 20mm conduit entry points
- ✓ Other options available - Self test & Black finish
- ✓ Emergency operation duration 3 hours

Non-Maintained

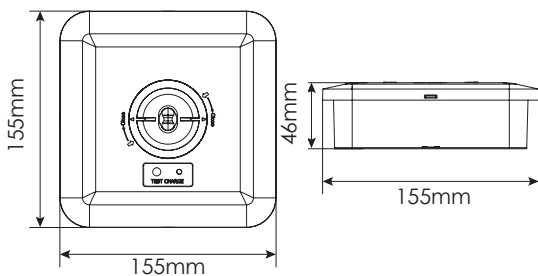


Open Area Spacing Data (1 Lux)

Mounting Height (m)	2.50	5.30	13.67	13.64	13.53	5.26
3.00	5.52	14.38	14.34	14.25	5.48	

Corridor Spacing Data (1 Lux)

Mounting Height (m)	2.50	7.25	17.08	11.59	6.48	2.78
3.00	7.59	18.62	12.61	7.11	2.96	



Open Area Spacing Data (1 Lux)

Mounting Height (m)	2.50	5.12	13.39	13.19	13.25	5.20
3.00	5.34	14.06	13.87	13.96	5.45	

	GBSR2NMWH	GBSS2NMWH
Description	Round	Square
Barcode	5012739 654947	5012739 654954
Voltage	220 - 240V / 50/60Hz	
Emergency Power	2W	
Lumen	Open area - 280lm Corridor - 230lm	
IP Rating	IP65	
Class Type	II	
Emergency Duration	3 Hours	
Colour Temperature	6500K	
Ambient Temperature	5 - 40°C	
Function	Non-Maintained	
Battery Type	LiFePO4 3.2V 3.0Ah	
Beam Angle	Open Area Lens - 150° Corridor - 80 x 30°	
Dimensions	Ø155 x 46mm	155 x 155 x 46mm
Mounting Type	Surface mounting	
Material	Polycarbonate	
RAL Colour	RAL 9003	
Guarantee	3 Years	
Conforms to	BS EN 60598-2-22: 2014 + A1, BS EN IEC 60598-1:2021, BS EN 62471:2008, BS EN 62493:2015	

Corridor Spacing Data (1 Lux)

Mounting Height (m)	2.50	7.16	17.10	11.70	6.53	2.62
3.00	7.40	18.60	12.68	7.14	2.72	

Portable Lights

LED Portable Floodlights - Re-chargeable

- ✓ IP65
- ✓ 2 Hours running time
- ✓ Insulated handle grip
- ✓ Fully adjustable frame
- ✓ Floodlight tilts up & down on the stand
- ✓ Complete with mains charger & Car Charger



	LPFL10	LPFL20	LPFL30	LPFL50
Description	Portable Floodlight			
Barcode	5012739 653773	5012739 653780	5012739 653797	5012739 653803
Wattage	10W	20W	30W	50W
IP rating	IP65			
Input Voltage	DC4.2V	DC4.2V	DC8.4V	DC12.6V
Mains Charger Input Output	100V - 240V DC4.2V	100V - 240V DC4.2V	100V - 240V DC8.4V	100V - 240V DC12.6V
Frequency	50~60Hz			
Current Output	1A			
Car Charger Input Output	DC12/24V DC4.2V	DC12/24V DC4.2V	DC12/24V DC8.4V	DC12/24V DC12.6V
Operating Temp	-20° to +40°C			
Beam Angle	120°			
Battery Type	18650 Lithium 2,200mAh	18650 Lithium 2,200mAh	18650 Lithium 5,200mAh	18650 Lithium 7,800mAh
Colour Temp	6,000K			
Lumen Output	400	800	1200	2000
Charging Time	3 - 4 hours			
Running Time	2 Hours			
CRI	>80			
Housing Material	Aluminium Die-Casting Body with Tempered Glass			
Product Weight	83g	106g	138g	184g
Guarantee	3 Years			
Conforms To	BS EN 60598			

5 Year
Guarantee

WORK / SITE LIGHTS

**GREEN
BROOK**

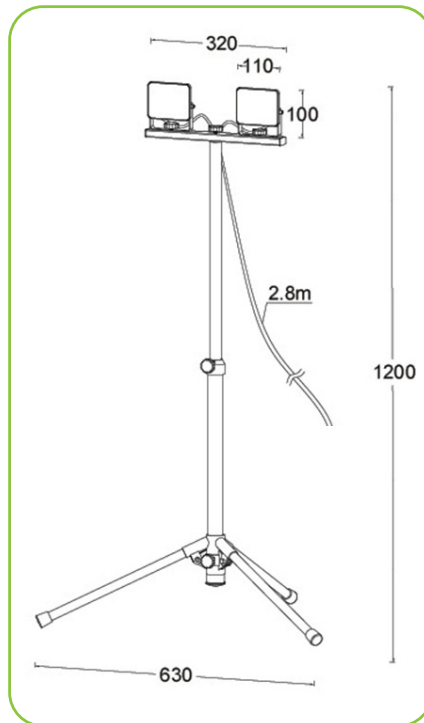
IP65 Tripods

- ✓ 2 x 10W & 2 x 20W available
- ✓ Heavy Duty Aluminium body with tempered glass diffuser
- ✓ 240V and 110V options available

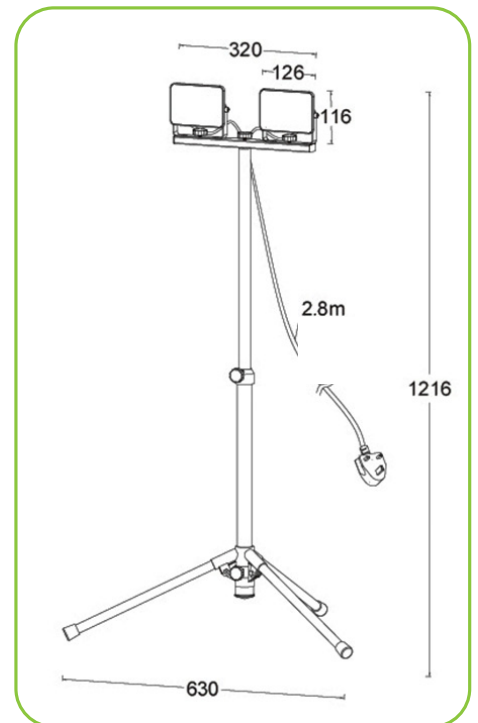


LEDAF39
IP65 Tripod -
2 x 10W

LEDAF40
IP65 Tripod -
2 x 20W



10W Models



20W Models

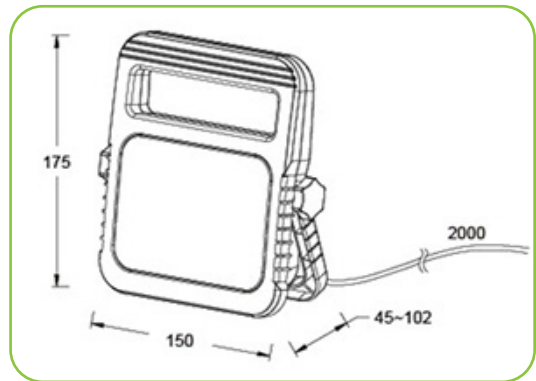
	LEDAF39	LEDAF40
Description	IP65 Tripods	
Barcode	5012739 653728	5012739 653735
Wattage	2 x 10W	2 x 20W
IP rating	IP65	
Input Voltage	230V - 240V ~ 50Hz	
Class Type	I	
Colour Temp	5,000K	
Lumen Output	1600	3200
CRI	>80	
Housing Material	Heavy Duty Aluminium Body with Tempered Glass Diffuser	
Conforms To	BS EN 60598	



IP54 Portable Work Light - 11W

- ✓ 110V
- ✓ 1040 Lumens
- ✓ 5,000K
- ✓ ABS & Polycarbonate body with clear diffuser

TECHNICAL INFORMATION	
Voltage	110V ~ 50/60Hz
Wattage	11W
Lumens	1040
IP Rating	IP54
Colour Temperature	5,000K
Lamp Type	LED
Class Type	I
No of LED's	8
CRI	>80
Housing	ABS & Polycarbonate Body with Clear Polycarbonate Diffuser
Conforms to	BS EN 60598



LEDAF41
11W Portable
Work Light - IP54



NOTES

GREEN BROOK

West Road . Harlow . Essex . CM20 2BG
www.greenbrook.co.uk

Follow us on -

