

Malleable Conduit Accessories

- Galvanised Steel

NORSLO

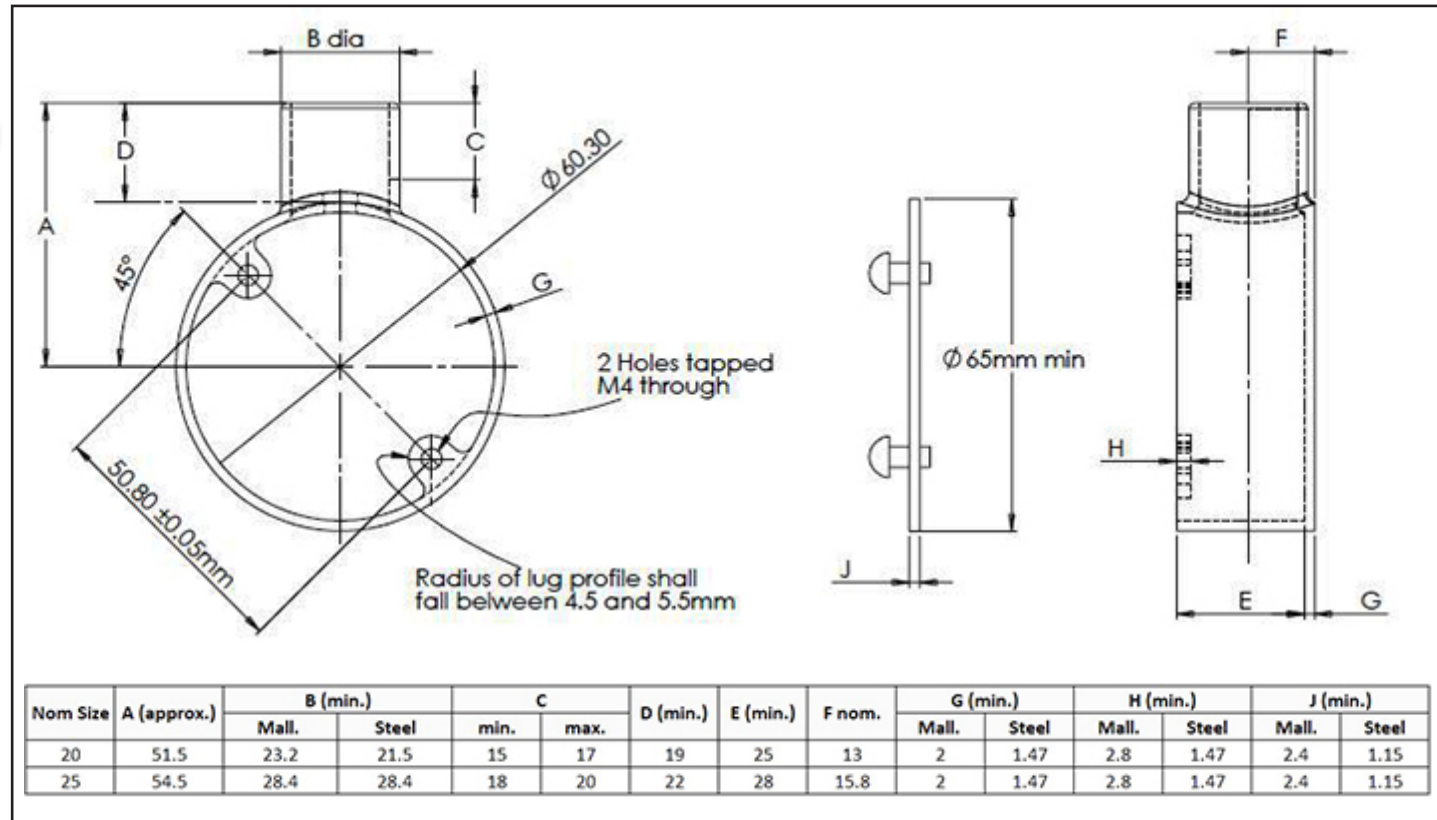
- + Available in Hot Dip Galvanised Steel or Black Enamel
- + Conforms to BS EN 61386-21

Malleable Conduit Classification	
Resistance to compression	5- Very Heavy
Resistance to impact	5- Very Heavy
Resistance against corrosion	4- High Protection
Resistance to bending	1- Rigid
Tensile Strength	5- Very Heavy
Suspended Load Capacity	5- Very Heavy

TECHNICAL DATA SHEET



Dimension Diagram



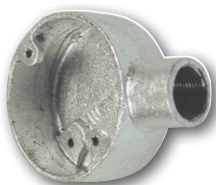
Malleable Conduit Accessories

- Galvanised Steel

NORSLO

+ Available in Hot Dip Galvanised Steel or Black Enamel

+ Conforms to BS EN 61386-21



	20G1N	25G1N	20G2N	25G2N	20G3N	25G3N	20G4N	25G4N	20G5N	25G5N	20G6N
Description	Terminal Box	Terminal Box	Through Box	Through Box	Tee Box	Tee Box	Intersection Box	Intersection Box	Angle Box	Angle Box	H Box
Pack Qty	10	10	10	10	10	10	10	10	10	10	10
Barcode	5012739 642890	5012739 642975	5012739 642906	5012739 642982	5012739 642913	5012739 642999	5012739 642920	5012739 643002	5012739 642937	5012739 643019	5012739 642944
Galv Plating Thickness	>45µm	>45µm	>45µm	>45µm	>45µm	>45µm	>45µm	>45µm	>45µm	>45µm	>45µm
Material	Galvanised Steel										
IP Rating	IP30										
Application Temp	<5°C to - 45°C										
Thread Diameter	Ø 20mm	Ø 25mm	Ø 20mm	Ø 25mm	Ø 20mm	Ø 25mm	Ø 20mm	Ø 25mm	Ø 20mm	Ø 25mm	Ø 20mm
Guarantee	1 Year										
Conforms To	BS EN 61386-21										

TECHNICAL DATA SHEET

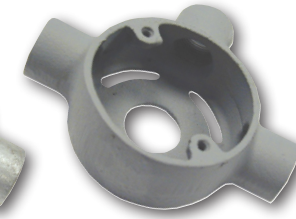
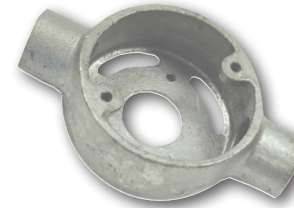
Malleable Conduit Accessories

- Galvanised Steel

NORSLO

+ Available in Hot Dip Galvanised Steel or Black Enamel

+ Conforms to BS EN 61386-21



	20GUN	25GUN	20GYN	25GYN	B20G1E	B20G2E	B20G3E	B20G5E
Description	U Box	U Box	Y Box	Y Box	Terminal Extension Box	Through Extension Box	Tee Extension Box	Angle Extension Box
Pack Qty	10	10	10	10	10	10	10	10
Barcode	5012739 642951	5012739 643026	5012739 642968	5012739 643033	5012739 609251	5012739 609275	5012739 609299	5012739 609305
Galv Plating Thickness	>45µm	>45µm	>45µm	>45µm	>45µm	>45µm	>45µm	>45µm
Material	Galvanised Steel							
IP Rating	IP30							
Application Temp	<5°C to - 45°C							
Thread Diameter	Ø 20mm	Ø 25mm	Ø 20mm	Ø 25mm	Ø 20mm	Ø 20mm	Ø 20mm	Ø 20mm
Guarantee	1 Year							
Conforms To	BS EN 61386-21							

TECHNICAL DATA SHEET

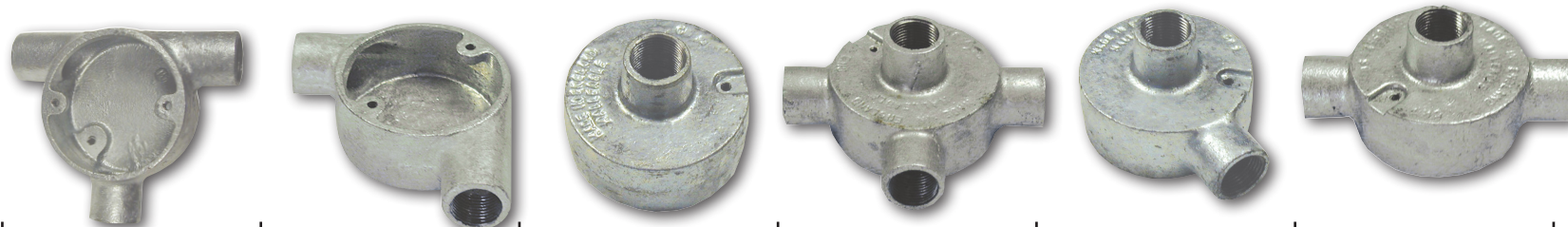
Malleable Conduit Accessories

- Galvanised Steel

NORSLO

+ Available in Hot Dip Galvanised Steel or Black Enamel

+ Conforms to BS EN 61386-21



	B20GT3	B20GT5	B20GB0	B20G3B0	B20G1B0	B20G2B0
Description	Tee Tangent Box	Angle Tangent Box	Back Outlet Box	Tee Back Outlet Box	Terminal Back Outlet Box	Through Back Outlet Box
Pack Qty	10	10	10	10	10	10
Barcode	5012739 609220	5012739 609237	5012739 609527	5012739 609282	5012739 609244	5012739 609268
Galv Plating Thickness	>45µm	>45µm	>45µm	>45µm	>45µm	>45µm
Material	Galvanised Steel					
IP Rating	IP30					
Application Temp	<5°C to - 45°C					
Thread Diameter	Ø 20mm	Ø 20mm	Ø 20mm	Ø 20mm	Ø 20mm	Ø 20mm
Guarantee	1 Year					
Conforms To	BS EN 61386-21					