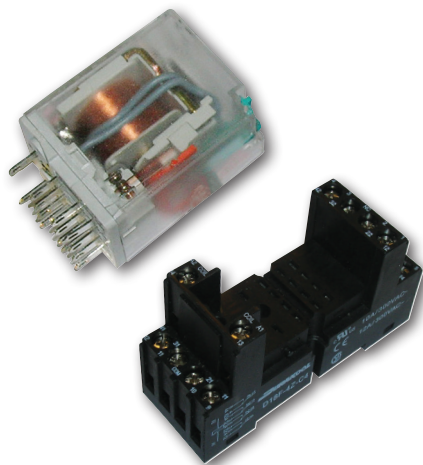
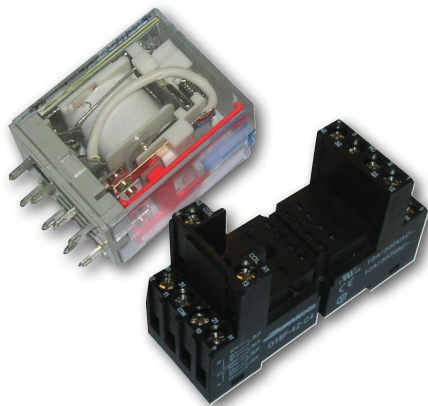


PLUG-IN RELAYS & BASES

- Square Footprint

- + 2 & 4 Pole - Square terminal footprint
- + With LED/Flag button as standard
- + For 35mm Din Rail



	PRS208-24AC	PRS208-24DC	PRS208-115AC	PRS208-230AC	PRSB8
Description	2 Pole Changeover 8 Pin, 24V AC	2 Pole Changeover 8 Pin, 24V DC	2 Pole Changeover 8 Pin, 115V AC	2 Pole Changeover 8 Pin, 230V DC	8 Pin Din Rail Base
Load	10A (2A Inductive) 250V AC				-
Pack Qty	5	5	5	5	10
IP Rating	IP40				-
Contact Rating	10A 250V AC				-
AC Coil Consumption	24V to 230V AC - 1.2VA				-
DC Coil Consumption	24V DC - 0.9VA				-
Contact Material	Silver Alloy				-
Guarantee	1 Year				-
Conforms To	Complies with UL / CSA				-

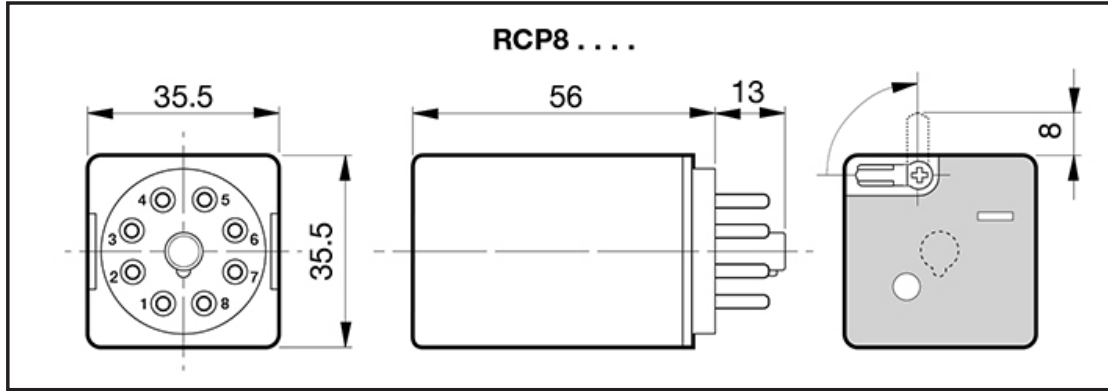
	PRS414-24AC	PRS414-24DC	PRS414-115AC	PRS414-230AC	PRSB14
Description	4 Pole Changeover 14 Pin, 24V AC	4 Pole Changeover 14 Pin, 24V DC	4 Pole Changeover 14 Pin, 115V AC	4 Pole Changeover 14 Pin, 230V DC	14 Pin Din Rail Base
Load	5A (1A Inductive) 250V AC				-
Pack Qty	5	5	5	5	10
IP Rating	IP40				-
Contact Rating	5A 250V AC				-
AC Coil Consumption	24V to 230V AC - 1.2VA				-
DC Coil Consumption	24V DC - 0.9VA				-
Contact Material	Silver Alloy				-
Guarantee	1 Year				-
Conforms To	Complies with UL / CSA				-

PLUG-IN RELAYS & BASES

- Square Footprint

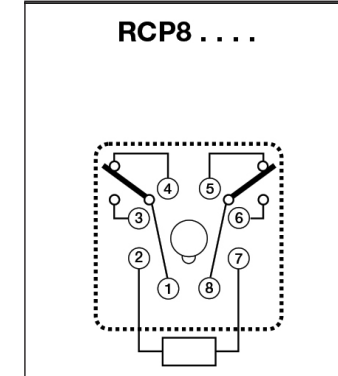
Dimensions

2 Pole / 8 Pin Changeover Relays



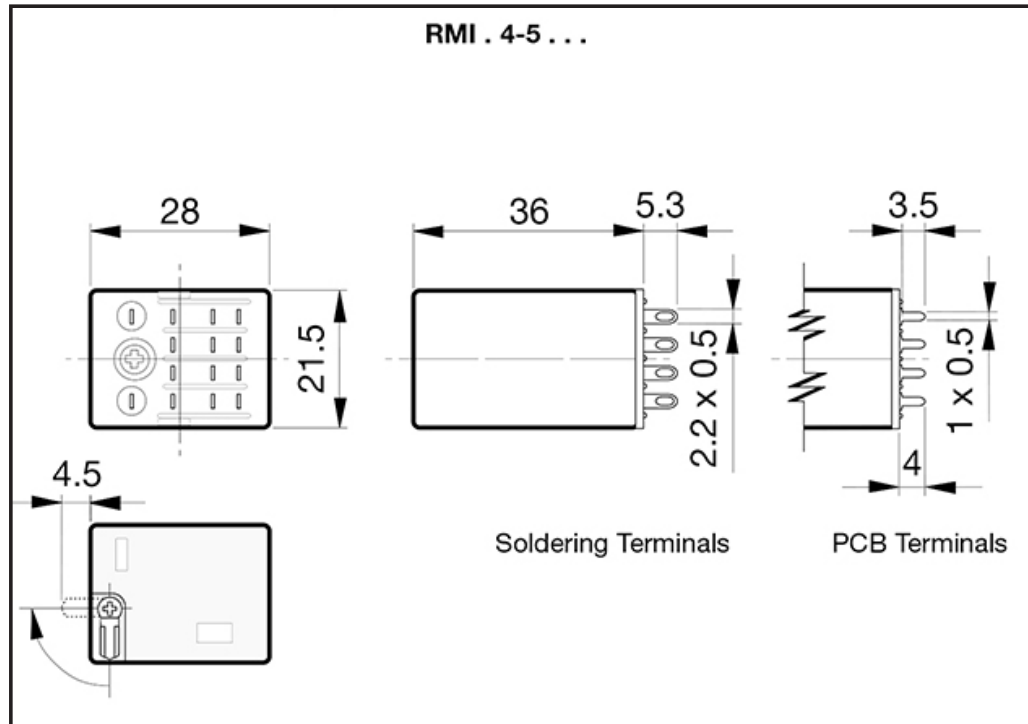
Wiring Diagram

2 Pole / 8 Pin Changeover Relays



Dimensions

4 Pole / 14 Pin Changeover Relays



Wiring Diagram

4 Pole / 14 Pin Changeover Relays

