

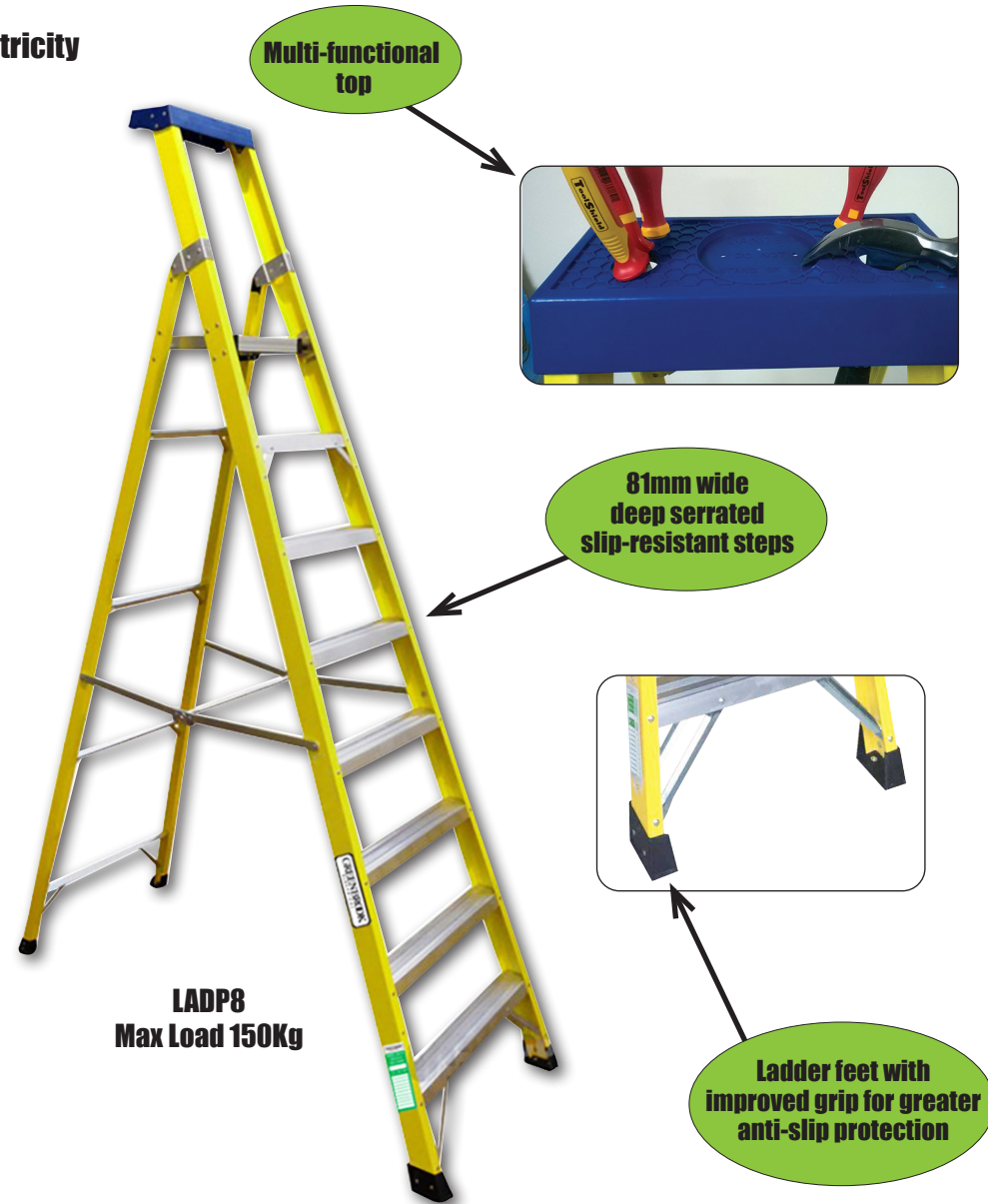
PLATFORM LADDER RANGE

- BS EN131 Fibreglass Step Ladders

Versatile and durable range of platform ladders in fibreglass with an aluminium platform. Built for use in tough environments and designed to handle the wide variety of tasks required on a job site, whilst ensuring optimum safety and convenience for the user.

- + Fibreglass ladder rails are non-conductive - safer for working around electricity
- + Lightweight, strong, heat and weather resistant
- + Durable - offers excellent resistance to denting and bending
- + Safety secure tools at working height using the multi-functional top
- + Non-slip steps and rubber non-slip feet for greater safety
- + Conforms to BS EN 131-1-2-3 for professional use
- + Voltage tested to 35,000V

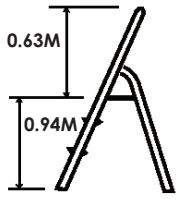
	LADP4	LADP6	LADP8	LADP9
Material	Fibre Glass with Aluminium Platform			
Description	No of Steps 3 plus Platform	No of Steps 5 plus Platform	No of Steps 7 plus Platform	No of Steps 8 plus Platform
Product Weight	8.8kg	11.0kg	14.6kg	15.9kg
Barcode	5012739645569	5012739645563	5012739645587	5012739645594
Guarantee	1 Year			
Conforms To	BS EN 131-1-2-3			

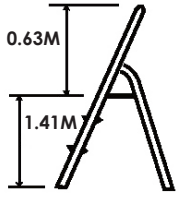


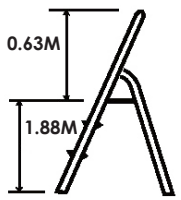
LADP8
Max Load 150Kg

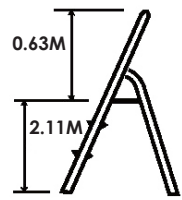
PLATFORM LADDER RANGE

- BS 131 for Professional Use

LADP4	
	
No of Steps	3 plus Platform
Weight	8.8kg
Max Load	150kg
Pack Size (mm) (inc packaging)	L1740 X W530 x D170
Open Height (M)	1.57
Closed Height (M)	1.74
Usable Platform Height (M)	0.94

LADP6	
	
No of Steps	5 plus Platform
Weight	11.0kg
Max Load	150kg
Pack Size (mm) (inc packaging)	L2240 X W600 x D170
Open Height (M)	2.03
Closed Height (M)	2.24
Usable Platform Height (M)	1.41

LADP8	
	
No of Steps	7 plus Platform
Weight	14.6kg
Max Load	150kg
Pack Size (mm) (inc packaging)	L2740 X W660 x D170
Open Height (M)	2.50
Closed Height (M)	2.74
Usable Platform Height (M)	1.88

LADP9	
	
No of Steps	8 plus Platform
Weight	15.9kg
Max Load	150kg
Pack Size (mm) (inc packaging)	L2990 X W690 x D170
Open Height (M)	2.74
Closed Height (M)	2.99
Usable Platform Height (M)	2.11



LADP4
Max Load 150Kg