

Orion Range Occupancy Detectors

- Microwave Motion Detectors & Infra-Red Presence Detector

- + Suitable for LED and energy saving lamps
- + Ceiling mounted
- + Detection range 360°
- + Adjustable time delay
- + Adjustable ambient light
- + Microwave sensor
- + LEDs upto 300W



ODM200
Microwave Motion Detector
- IP20

- + Suitable for LED and energy saving lamps
- + Adjustable Detection Range
Ceiling 360° / Wall 180°
- + Adjustable time delay
- + Adjustable ambient light
- + Microwave sensor
- + LEDs upto 300W



ODM201
Microwave Motion Detector
- IP20

- + Suitable for LED and energy saving lamps
- + Surface mounted
- + Detection range 360°
- + Adjustable time delay
- + Adjustable ambient light
- + PIR motion sensor
- + LEDs upto 1000W

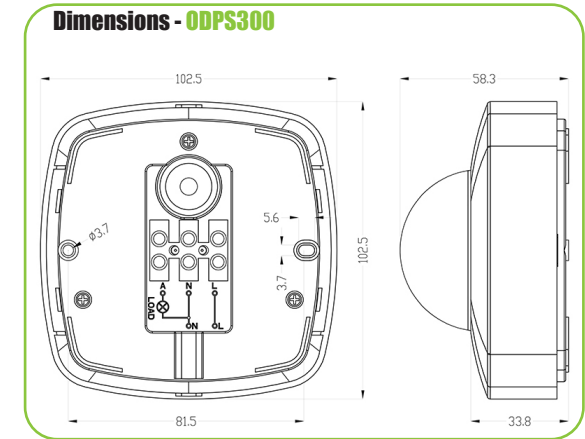
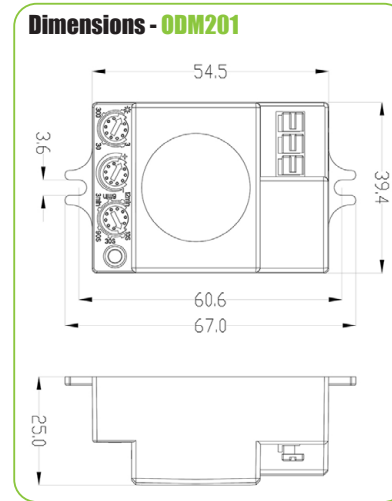
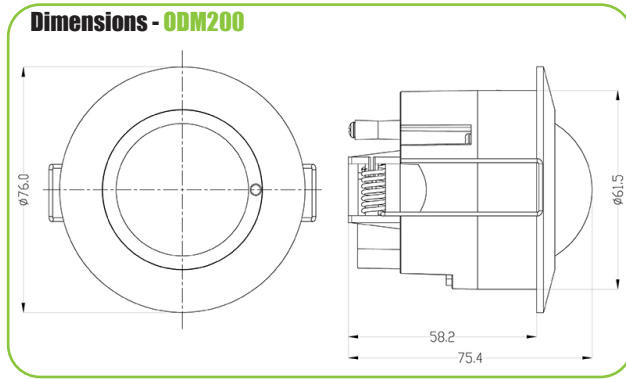


ODPS300

| | ODM200 | ODM201 | ODPS300 |
|-------------------------------|---|---|--|
| Description | Microwave Motion Detector Ceiling Mounted | Microwave Motion Detector Adjustable | Infra-red Presence Detector Surface Mounted |
| Barcode | 5012739642746 | 5012739642753 | 5012739642784 |
| Rated Voltage | 230V ~ 50Hz | 230V ~ 50Hz | 230V ~ 50Hz |
| IP Rating | IP20 | IP20 | IP20 |
| Ambient Light | <3-2,000 LUX (adj) | <3-2,000 LUX (adj) | <3-2,000 LUX (adj) |
| Time Delay | Min 10 Sec ± 3 Sec Max 12 Min ± 1 Min | Min 10 Sec ± 3 Sec Max 12 Min ± 1 Min | Min 10 Sec ± 3 Sec Max 30 Min ± 2 Min |
| Rated Load | Max 1200W Max 300W /LED | Max 1200W Max 300W /LED | Max 2000W Max 1000W /LED |
| Detection Range | 360° | Ceiling 360°/ Wall 180° | 360° |
| Detection Distance | 1 - 8M Adjustable | Ceiling = 1- 8M (Radius)adj Wall = 5-15M adj | 20M Max (<24°C) |
| Working Humidity | <93%RH | <93%RH | <93%RH |
| Working Temp | - | - | -20°C to +40°C |
| Transmission Power | <0.2mW | <0.2mW | - |
| HF System | 5.8GHz CW Radar, ISM band | - | - |
| Power Consumption | 0.9W approx | 0.9W approx | 0.5W approx |
| Installation Height | 1.5 - 3.5 Metres | Wall = 1.5 - 3.5M Ceiling = 2 - 8M | 2.2 - 6 Metres |
| Detection Moving Speed | 0.6 - 1.5 m/s | 0.6 - 1.5 m/s | - |
| Product Weight | 96g | 43g | 138g |
| Cut Out | 65Ømm | - | - |
| Dimensions | 76Ømm Total Depth: 75.4mm Ceiling Protrusion: 17.2mm | 54.5 x 39.4 x 25mm | 102.5 x 102.5 x 58.3mm |
| Guarantee | 1 Year | | |
| Conforms To | BS EN 60669 | | BS EN 61058-1 |

Orion Range - ODM200 / ODM201 / ODPS300

Circuit Diagram & Dimensions



See circuit diagram if you are planning to use two sensors for one circuit.

