

Orion Range Occupancy Detectors

- Infra-Red Motion Detectors

- + Suitable for LED and energy saving lamps
- + Multi directional head
- + Detection range 180°
- + Adjustable time delay
- + Adjustable ambient light
- + PIR motion sensor
- + LEDs upto 300W



OD103
Infra-Red Motion Detector
- IP65

- + Suitable for LED and energy saving lamps
- + Multi directional head
- + Detection range 180°
- + Adjustable time delay
- + Adjustable ambient light
- + PIR motion sensor
- + LEDs upto 400W



OD104
Infra-Red Motion Detector
- IP44

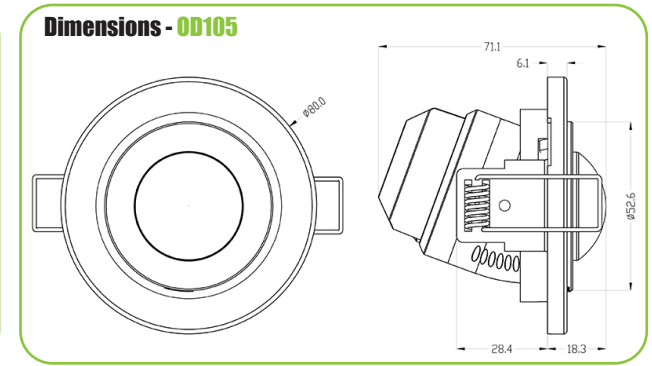
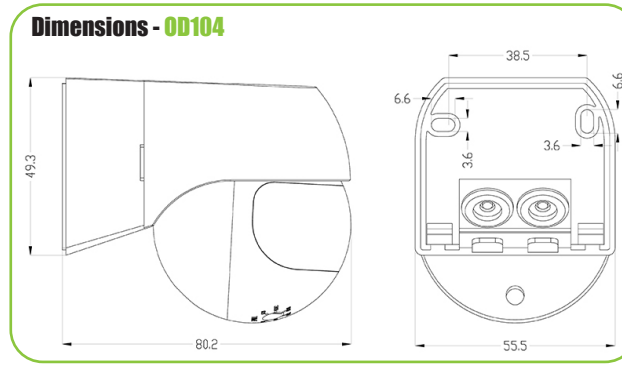
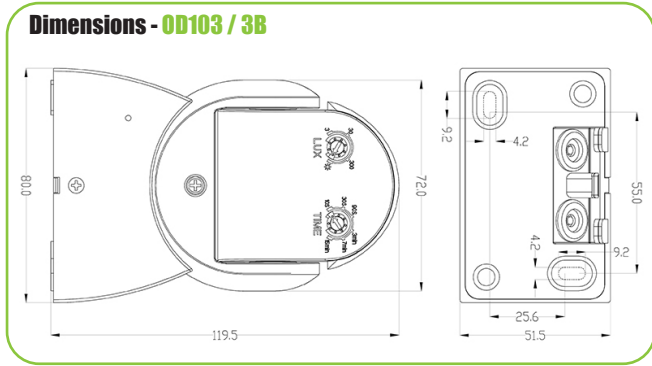
- + Suitable for LED and energy saving
- + Tilt facility for easy adjustment
- + Detection range 360°
- + Adjustable time delay
- + Adjustable ambient light
- + PIR motion sensor
- + LEDs upto 400W



OD105
Infra-Red Motion Detector
- Ceiling Mounted

	OD103	OD103B	OD104	OD105
Description	Infra-red Motion Detector (White)	Infra-red Motion Detector (Black)	Infra-red Motion Detector	Infra-red Motion Detector - Ceiling Mounted
Barcode	5012739642715	5012739643569	5012739642722	5012739642739
Rated Voltage	230V ~ 50Hz	230V ~ 50Hz	230V ~ 50Hz	230V ~ 50Hz
IP Rating	IP65	IP65	IP44	IP20
Ambient Light	<3-2,000 LUX (ADJ)	<3-2,000 LUX (ADJ)	<3-2,000 LUX (ADJ)	<3-2,000 LUX (ADJ)
Time Delay	Min 10 Sec ± 3 Sec Max 15 Min ± 2 Min	Min 10 Sec ± 3 Sec Max 15 Min ± 2 Min	Min 10 Sec ± 3 Sec Max 15 Min ± 2 Min	Min 10 Sec ± 3 Sec Max 15 Min ± 2 Min
Rated Load	Max 1200W Max 300W /LED	Max 1200W Max 300W /LED	Max 800W Max 400W /LED	Max 800W Max 400W /LED
Detection Range	180°	180°	180°	360°
Detection Distance	12M Max (<24°C)	12M Max (<24°C)	12M Max (<24°C)	6M Max (<24°C)
Working Temperature	- 20° - + 40°C	- 20° - + 40°C	- 20° - + 40°C	- 20° - + 40°C
Working Humidity	<93%RH	<93%RH	<93%RH	<93%RH
Power Consumption	0.5W approx	0.5W approx	0.5W approx	0.5W approx
Installation Height	1.8 - 2.3 Metres	1.8 - 2.3 Metres	1.8 - 2.5 Metres	2.2 - 4 Metres
Detection Moving Speed	0.6 - 1.5 m/s	0.6 - 1.5 m/s	0.6 - 1.5 m/s	0.6 - 1.5 m/s
Product Weight	158g	158g	97g	97g
Dimensions	119.5 x 80 x 51.5mm	119.5 x 80 x 51.5mm	80.2 x 55.5 x 66.5mm	80Ø - Total Depth 71.1mm Ceiling Protrusion 18.3mm
Guarantee	1 Year			
Conforms To	BS EN 61058-1			

Orion Range - OD103 / OD104 / OD105/ Circuit Diagram & Dimensions



See circuit diagram if you are planning to use two sensors for one circuit.

