

FEATURES

- ▶ For protection of electrical connections
- ▶ Simple one piece base / snap close lid / quick release
- ▶ Suitable for terminal block size 2A to 30A
- ▶ Will pass through a 50mm diameter hole
- ▶ Fully assembled



CHOC30E

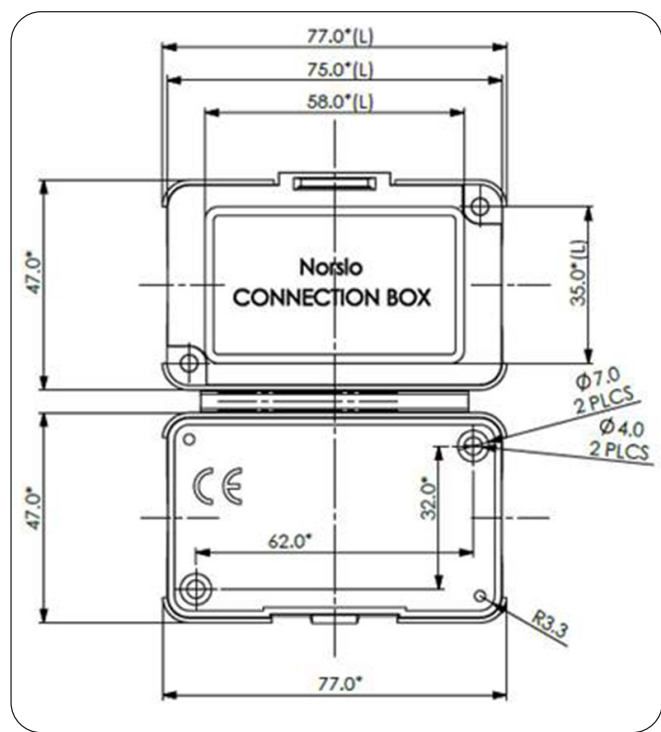


Box Qty 50

Simple one piece base / snap close lid / quick release

TECHNICAL INFO

Product	CHOC30E
Barcode	5012739 617164
Rated Voltage	250V
Temperature Range	-5°C to +60°C
IP Rating	IP20
Box Qty	50
Product Weight	22.5g
Product Finish	Natural Polypropylene
Guarantee	1 Year
Conforms to	BS EN 60670-22



For 2A - 30A Terminal Strips