



Microwave Motion Sensors

# Occupancy Detectors

## TECHNICAL DATA SHEET

## PRO SERIES

### FEATURES

- ▶ Suitable for LED and energy saving lamps
- ▶ Ceiling mounted
- ▶ Detection range ceiling 360°
- ▶ Adjustable time delay
- ▶ Adjustable ambient light
- ▶ LEDs upto 300W



#### ODM200 MICROWAVE MOTION SENSOR - Ceiling Mounted

- ▶ Suitable for LED and energy saving lamps
- ▶ Adjustable Detection Range
- ▶ Detection range ceiling 360° / Wall 180°
- ▶ Selectable hold time
- ▶ Adjustable ambient light
- ▶ LEDs upto 300W



#### ODM201 MICROWAVE MOTION SENSOR - Adjustable

- ▶ Suitable for LED and energy saving lamps
- ▶ Programmed settings
- ▶ Adjustable Detection Range
- ▶ Detection range ceiling 360° / Wall 180°
- ▶ Selectable hold time
- ▶ Pre-set ambient light settings
- ▶ LEDs upto 300W



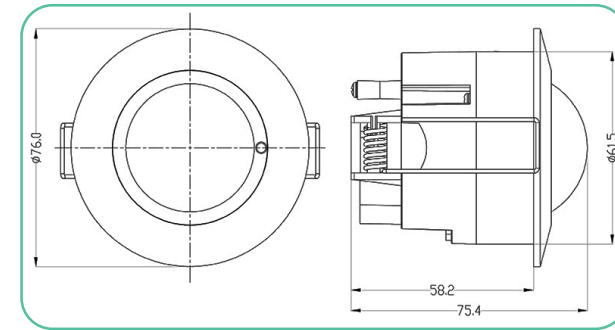
#### ODM202 MICROWAVE MOTION SENSOR - Programmed Settings

- ▶ Suitable for LED and energy saving lamps
- ▶ 1 - 10V Dimmable
- ▶ Adjustable Detection Range
- ▶ Detection range ceiling 360° / Wall 180°
- ▶ Selectable hold time
- ▶ Adjustable ambient light
- ▶ LEDs upto 600W

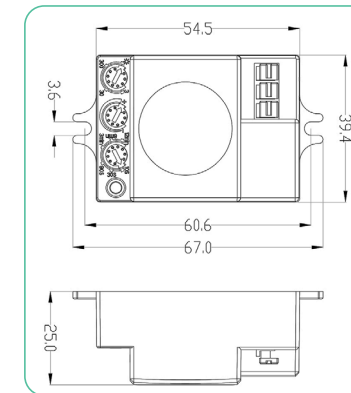


#### ODM203 MICROWAVE MOTION SENSOR - 1-10V Dimmable

Dimensions - ODM200 Ceiling Mounted

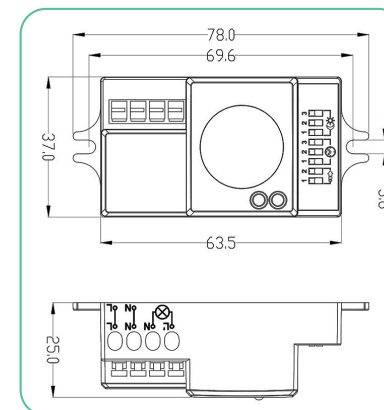


Dimensions - ODM201 Adjustable

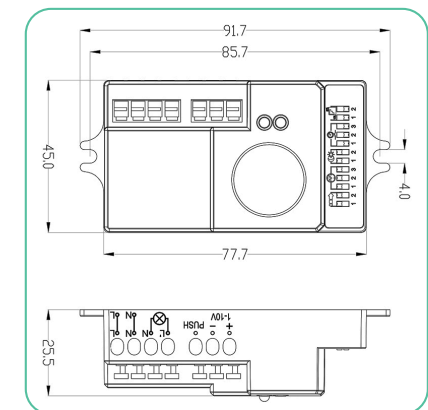


Please see overleaf for full technical details.

Dimensions - ODM202 Programmed Settings



Dimensions - ODM203 1-10V Dimmable



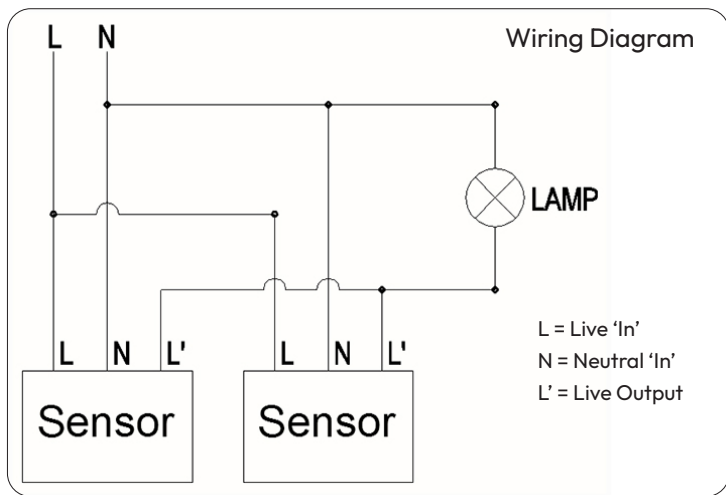
Rev:10.27.04.26



Tel: 01279 772 772  
 Email: info@greenbrook.co.uk  
 Web: www.greenbrook.co.uk

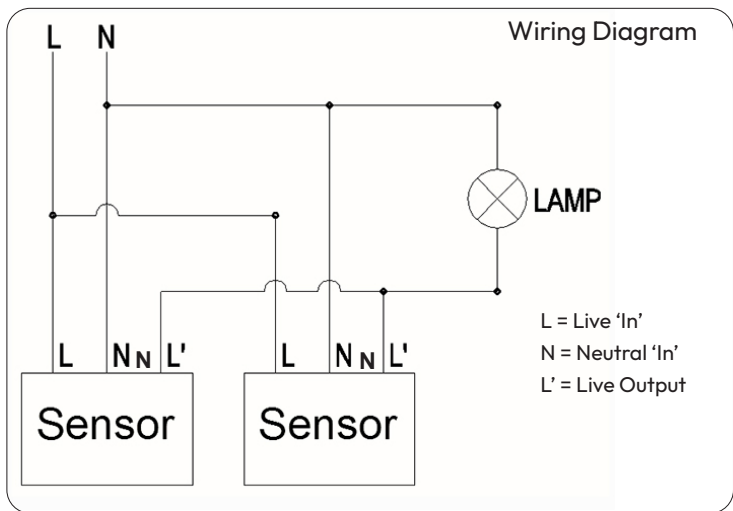
### ODM200 / ODM201

- Circuit diagram if you are planning to use two sensors for one circuit.



### ODM202 / ODM203

- Circuit diagram if you are planning to use two sensors for one circuit.



## TECHNICAL INFO

Product	ODM200	ODM201	ODM202	ODM203
<b>Description</b>	Microwave Motion Sensor - Ceiling Mounted	Microwave Motion Sensor - Adjustable	Microwave Motion Sensor Programmed Settings	Microwave Motion Sensor 1-10V Dimmable
<b>Barcode</b>	5012739 642746	5012739 642753	5012739 642760	5012739 642777
<b>Rated Voltage</b>	230V ~ 50Hz	230V ~ 50Hz	230V ~ 50Hz	230V ~ 50Hz
<b>IP Rating</b>	IP20	IP20	IP20	IP20
<b>Ambient Light</b>	<3-2,000 LUX (adj)	<3-2,000 LUX (adj)	2 LUX, 5 LUX, 20 LUX, 50 LUX, 2000 LUX (Choice)	2 LUX, 10 LUX, 50 LUX, 2000 LUX (Choice)
<b>Transmission Power</b>	<0.2mW	<0.2mW	<0.2mW	<0.2mW
<b>Working Humidity</b>	<93%RH	<93%RH	-	-
<b>Hold Time</b>	-	-	5s, 30s, 1min, 5min, 10min, 20min, 30min (choice)	5s, 30s, 1min, 5min, 10min, 20min, 30min (choice)
<b>Time Delay</b>	Min 10 Sec ± 3 Sec Max 12 Min ± 1 Min	Min 10 Sec ± 3 Sec Max 12 Min ± 1 Min	-	-
<b>LED Rated Load</b>	Max 300W			Max 600W
<b>Detection Range</b>	360°	Ceiling 360°/ Wall 180°	Ceiling 360°/ Wall 180°	Ceiling 360°/ Wall 180°
<b>Detection Distance</b>	1 - 8M Adjustable	Ceiling = 1- 8M (Radius)adj Wall = 5-15M adj	Ceiling = 1- 8M (Radius)adj Wall = 5-15M adj	Ceiling = 1- 8M (Radius)adj Wall = 5-15M adj
<b>Detection Moving Speed</b>	0.6 - 1.5m/s	0.6 - 1.5m/s	0.6 - 1.5m/s	0.6 - 1.5m/s
<b>Detection Area</b>	-	-	10%, 30%, 50%, 75%, 100% (choice)	10%, 50%, 75%, 100% (choice)
<b>Stand By Periods</b>	-	-	-	10s, 30s, 1min, 5min, 10min, 30min, +∞,0S (choice)
<b>Stand-by Dimming Level</b>	-	-	-	10%, 20%, 30%, 50% (choice)
<b>HF System</b>	5.8GHz CW Radar, ISM band	-	5.8GHz CW Radar, ISM band	5.8GHz CW Radar, ISM band
<b>Power Consumption</b>	0.9W approx	0.9W approx	0.9W approx	0.9W approx
<b>Installation Height</b>	1.5 - 3.5M	Wall = 1.5 - 3.5M Ceiling = 2 - 8M	Wall = 1.5 - 3.5M Ceiling = 2 - 8M	Wall = 1.5 - 3.5M Ceiling = 2 - 8M
<b>Detection Moving Speed</b>	0.6 - 1.5 m/s	0.6 - 1.5 m/s	0.6 - 1.5 m/s	0.6 - 1.5 m/s
<b>Product Weight</b>	96g	43g	46g	60g
<b>Dimensions</b>	Ø76mm Total Depth: 75.4mm Ceiling Protrusion: 17.2mm Cut Out: Ø65mm	54.5 x 39.4 x 25mm	63.5 x 37 x 25mm	77.7x 45 x 25.5mm
<b>Guarantee</b>	1 Year			
<b>Conforms To</b>	BS EN 60669			