

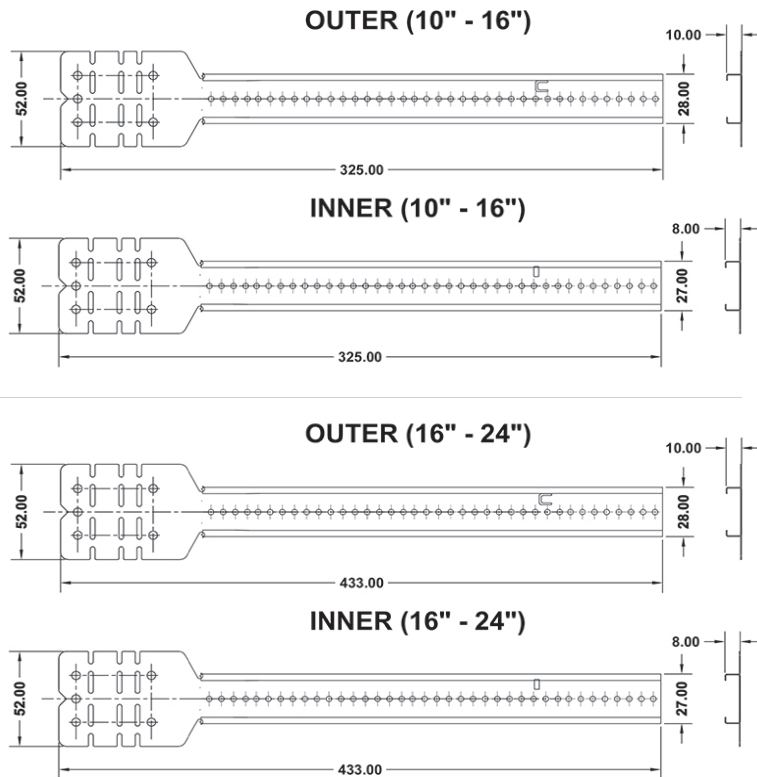
Telescopic Brackets

- TSB16 - 10" TO 16" (25 TO 40CM) BRACKET
- TSB24 - 16" TO 24" (40 TO 60CM) BRACKET

Why use Expandable Telescopic Bracket

- A. For faster installs and much easier to use than traditional methods
- B. Ideal for fixes of electrical boxes, pipework on stud wall and floor joists
- C. Two sizes TSB16 expands from 10" to 16" & TSB24 expands from 16" to 24"
- D. Quick & easy to install
- E. Both sizes can be used together
- F. Can be fixed to wood or metal joists
- G. Can be set at multiple depths
- H. Suitable for use with GreenBrook range of Switch & Socket boxes

Dimensions



TECHNICAL INFO

Product	TSB16	TSB24
Description	Telescopic Bracket Expandable 10" to 16"	Telescopic Bracket Expandable 16" to 24"
Barcode	5012739 655029	5012739 655036
Pack Qty	50	
Material	Steel	
Guarantee	1 Year	



Telescopic Brackets

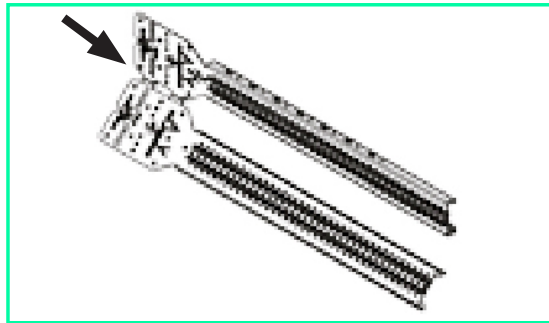
- TSB16 - 10" TO 16" (25 TO 40CM) BRACKET
- TSB24 - 16" TO 24" (40 TO 60CM) BRACKET

Note: We recommend a wafer head self drilling screw 13 x 4.2mm

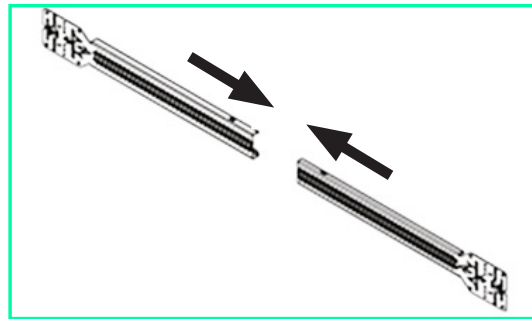
For guidance for specifying partition, wall lining and ceiling systems, refer to - The White Book (British Gypsum) www.british-gypsum.com

Installation Information

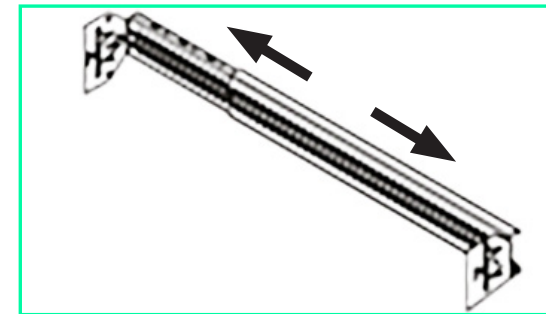
- Step 1:** Before use please wear safety gloves and glasses.
- Step 2:** Ensure brackets in good condition with no sharp edges.
- Step 3:** For assembly separate half's by bending at joining see Dia 1.
- Step 4:** Join the two half as shown on Dia 2.
- Step 5:** Adjust telescopic bracket to required length as Dia 3.
- Step 6:** Set end angle fixings to desired point and fix as shown on Dia 4 & 5.



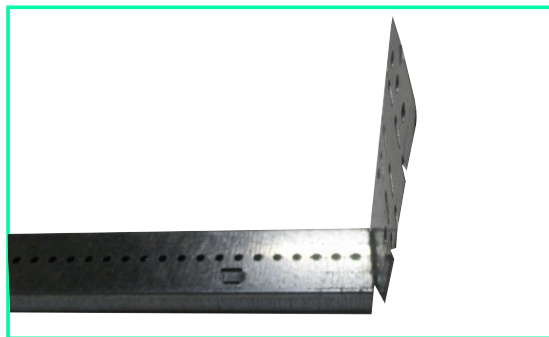
Dia 1



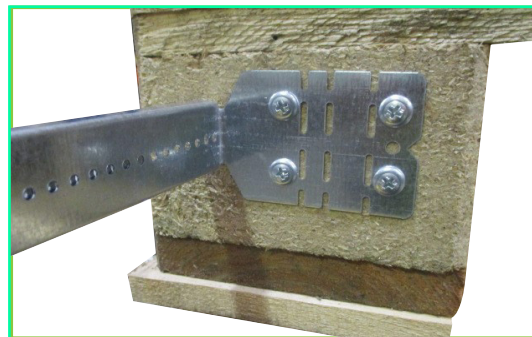
Dia 2



Dia 3



Dia 4



Dia 5



Dia 6