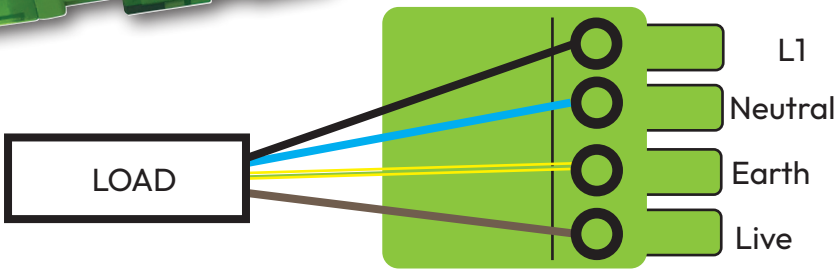
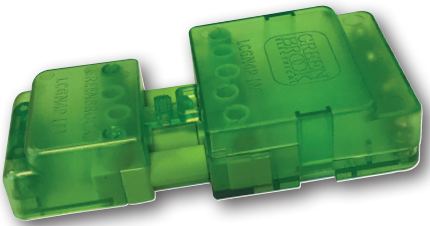


TECHNICAL WIRING INFORMATION

QUICK Connekt 4

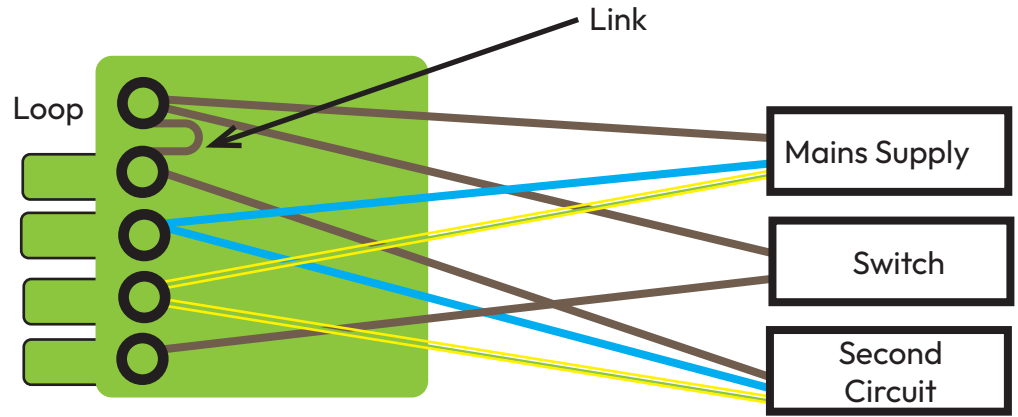


Load (Male) - Pins

1 x cable entry
Each Terminal can be fitted with upto 2 x 2.5mm²

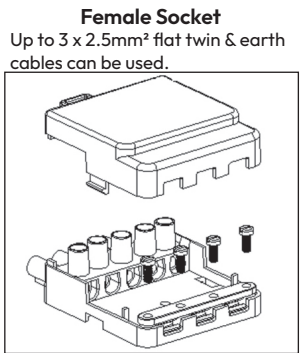
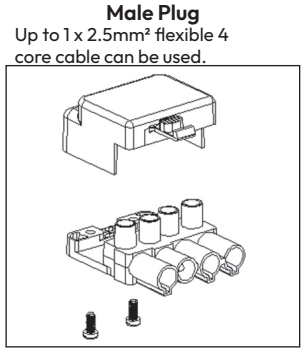
- 20A Lighting Connectors - for 4 core Flex
Wiring Diagram

LCGN4P - Wiring (Screw Terminals)



Supply (Female) - Socket

3 x cable entries
Each Terminal can be fitted with upto 3 x 2.5mm²



Example of the LCGN4P being used for connecting an emergency fitting