



ReAchsafte



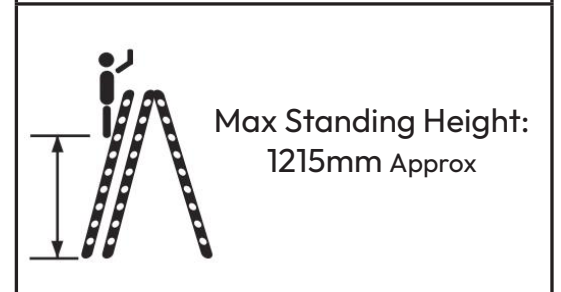
Combination Ladder - Fibre Glass

- ✓ Adjustable positions (3 way)
- ✓ Fully adjustable to 4242mm
- ✓ Anti-slip rungs
- ✓ Slip resistant feet for greater safety
- ✓ 150kg static load
- ✓ Closed Height 2M
- ✓ Weight 16kg

Part No	Description	Product Info	Pack Qty
LADC	21 Step Combination Ladder	No of steps 21 Yellow Fibre Glass 16kg	1



**Max Load
150kg**



	Length (mm)	Height (mm)	Weight (Kg)
	-	2002	16Kg
	-	4242	16Kg
	1365	2950	16Kg

Swing-back Ladder Range

BS EN131 Professional Use - Fibreglass Step Ladders

The versatile and durable range of swing-back ladders in fibreglass and with an aluminium work platform. Built for use in tough environments and designed to handle the wide variety of tasks required on a job-site, whilst ensuring optimum safety and convenience for the user.

- ✓ Fibreglass ladder rails are non-conductive - safer for working around electricity
- ✓ Lightweight, strong, heat and weather resistant
- ✓ Durable - offers excellent resistance to denting and bending
- ✓ Safety secure tools at working height using the multi-functional top
- ✓ Non slip steps and rubber non-slip feet for greater safety
- ✓ Confirms to BS EN-131-1-2-3 for professional use
- ✓ Voltage tested to 35,000V



Multi-Functional Top

Part No	Description	Product Info	Pack Qty
LAD4	Fibre Glass No of steps 3 Useable steps 1	6.1kg Pack size - L1240 x W510 x D170mm (inc packing) Open Height - 1060mm	1
LAD5	Fibre Glass No of steps 4 Useable steps 2	7.5kg Pack size - L1540 x W535 x D170mm (inc Packaging) Open Height - 1337mm	1
LAD6	Fibre Glass No of steps 5 Useable steps 3	8.7kg Pack size - L1840 x W580 x D170mm (inc Packaging) Open Height - 1615mm	1
LAD7	Fibre Glass No of steps 6 Useable steps 4	10.5kg Pack size - L2140 x W615 x D170mm (inc Packaging) Open Height - 1893mm	1
LAD8	Fibre Glass No of steps 7 Useable steps 5	11.6kg Pack size - L2440 x W650 x D170mm (inc Packaging) Open Height - 2170mm	1
LAD9	Fibre Glass No of steps 8 Useable steps 6	13.7kg Pack size - L2740 x W690 x D170mm (inc Packaging) Open Height - 2450mm	1
LAD10	Fibre Glass No of steps 9 Useable steps 7	14.9kg Pack size - L3040 x W720 x D170mm (inc Packaging) Open Height - 2727mm	1



Max Load
150kg

Ladder Feet now with improved Grip and greater Anti slip protection

BS EN131 Professional Use - Fibreglass Platform Ladders

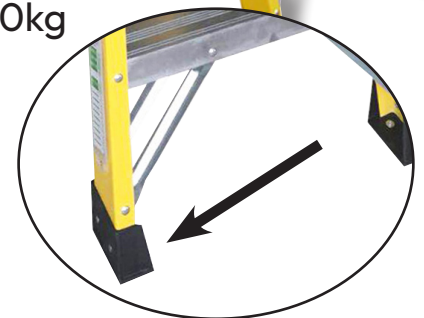
The versatile and durable range of ladders in fibreglass and with an aluminium work platform. Built for use in tough environments and designed to handle the wide variety of tasks required on a jobsite, whilst ensuring optimum safety and convenience for the user.

- ✓ **Fibreglass ladder rails are non-conductive - safer for working around electricity**
- ✓ **Lightweight, strong, heat and weather resistant**
- ✓ **Durable - offers excellent resistance to denting and bending**
- ✓ **Safely secure tools at working height using the multi-functional top**
- ✓ **Non slip steps and rubber non-slip feet for greater safety**
- ✓ **Conforms to BS EN-131-1-2-3 for professional use**
- ✓ **Voltage tested to 35,000V**

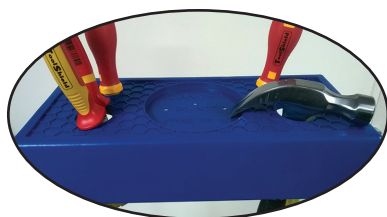
Part No	Description	Product Info	Pack Qty
LADP4	Fibre Glass No of steps 3 + Platform	8.8kg Pack size - L1740 x W530 x D170mm (inc packing) Open Height - 1.57M	1
LADP6	Fibre Glass No of steps 5 + Platform	11.0kg Pack size - L2240 x W600 x D170mm (inc Packaging) Open Height - 2.03M	1
LADP8	Fibre Glass No of steps 7 + Platform	11.6kg Pack size - L2490 x W630 x D170mm (inc Packaging) Open Height - 2.27M	1
LADP9	Fibre Glass No of steps 8 + Platform	15.9kg Pack size - L2990 x W690 x D170mm (inc Packaging) Open Height - 2.74M	1



Max Load
150kg



Ladder Feet now with
improved grip and greater
Anti slip protection



Multi-Functional Top



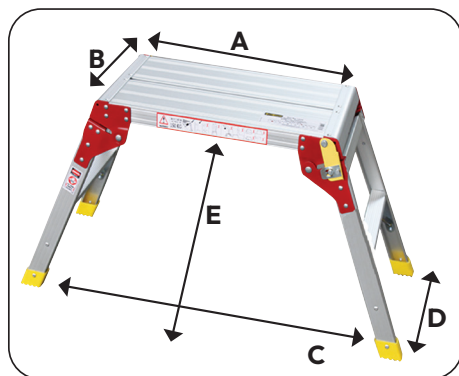
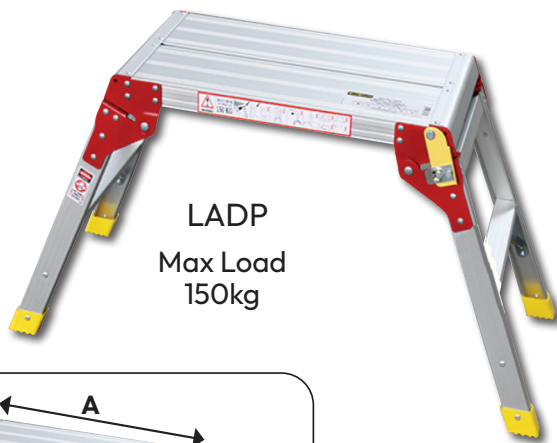
LADDERS



Work Platforms

- Aluminium

- ✓ Lightweight & strong
- ✓ Durable, tough aluminium material
- ✓ Easy to store & transport
- ✓ Non-slip platform & gripping feet for greater safety



LADP	
Description	500 x 300 Work Platform
Barcode	5012739639630
Platform Material	Aluminium
Leg & Feet Material	Aluminium Legs & Rubber Feet
Product Weight	4.65kg
	1 Year

Key	Size mm	LADP
Platform Length	A	500
Platform Width	B	300
Open Length	C	965
Open Width	D	390
Platform Height	E	480

Ladder Clamp

The Ladder Clamp set is a safe and easy way of securing ladders to vehicle roof racks.
 - Frees up valuable interior space, secures/locks ladders safely preventing theft risks.
 The LADCLAMP is suitable for use with the full Ladder Range.

Part No	Description	Product Info	Pack Qty
LADCLAMPN	Ladder Clamp Set	Padlocks supplied for security	1



Work Platforms

- Fibre Glass / Aluminium

- ✓ Choice of two platform sizes
- ✓ Double lock / Easy Lock
- ✓ Anti-slip standing surface & rungs
- ✓ Large slip resistant feet for greater safety
- ✓ Easy to store & transport

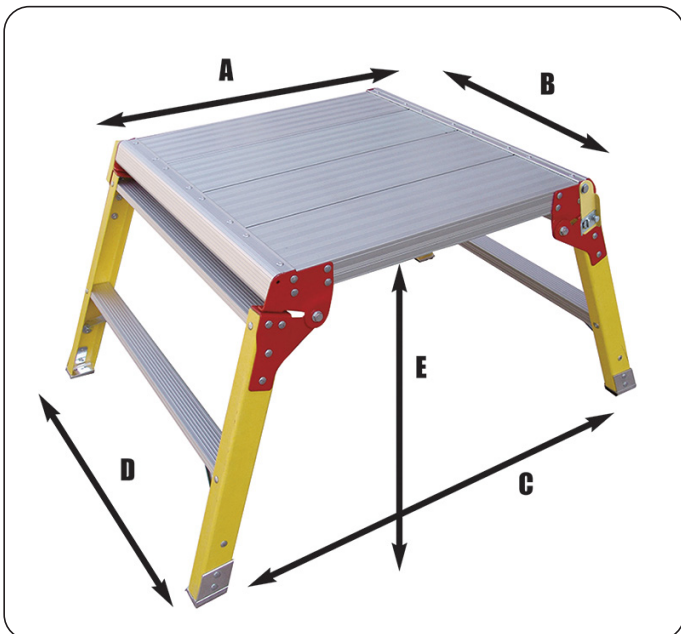
	LADPF300	LADPF600
Description	300 x 600 Work Platform	600 x 600 Work Platform
Barcode	5012739653919	5012739653926
Platform Material	Aluminium	
Leg & Feet Material	Fibre Glass Slip Resistant Feet	Fibre Glass
Product Weight	5.05Kg	7.7Kg
Guarantee	1 Year	



LADPF300
Max Load
150kg



LADPF600
Max Load
150kg



Key	Size mm	LADPF300	LADPF600
Platform Length	A	600	600
Platform Width	B	300	600
Open Length	C	955	945
Open Width	D	410	690
Platform Height	E	480	470