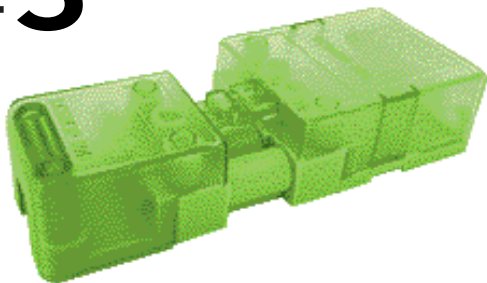


20A Lighting Connectors - For 3 & 4 Core Flex

FEATURES

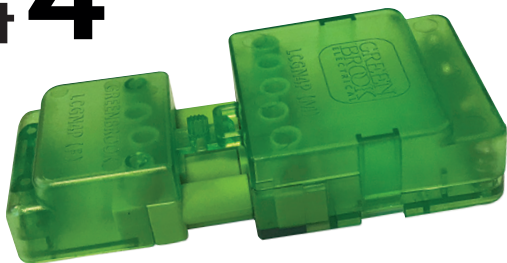
- ▶ Easy lock & release systems
- ▶ Large terminals for easy access
- ▶ Designed & manufactured by GreenBrook

QUICK Connekt 3



- ▶ Ideal for Emergency lighting

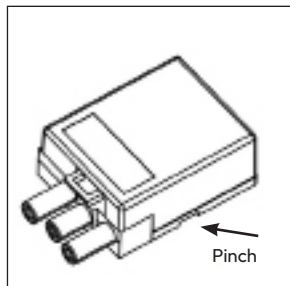
QUICK Connekt 4



Both the Connectors come in POS display box containing 50 Connectors

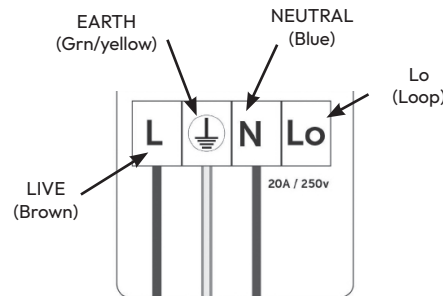
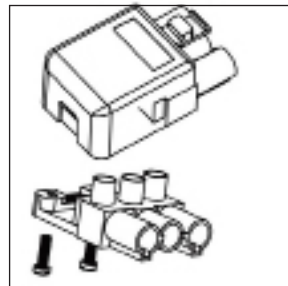
Female Socket

Up to 3 x 2.5mm² flat twin & earth cables can be used.



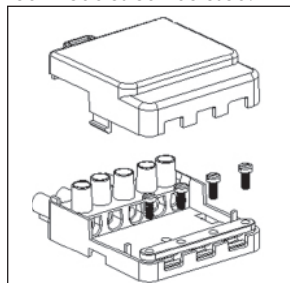
Male Socket

Up to 2.5mm² flexible 3 core cable can be used.



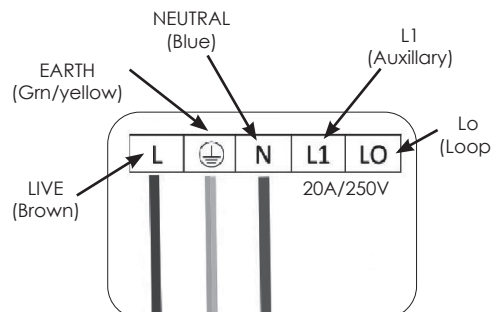
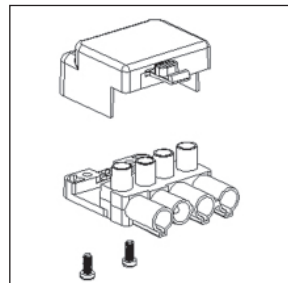
Female Socket

Up to 3 x 2.5mm² flat twin & earth cables can be used.



Male Socket

Up to 1 x 2.5mm² flexible 4 core cable can be used.



Note:

- These couplers are suitable for installation in NON-READILY accessible areas.
- This system is NOT a replacement for a domestic plug and socket outlet system.
- Installation couplers are intended for connection and disconnection without load.
- Any dangerous compatibility between different manufacturer installation coupler system is not automatically prevented by compliance with IEC EN 61535.

TECHNICAL INFO

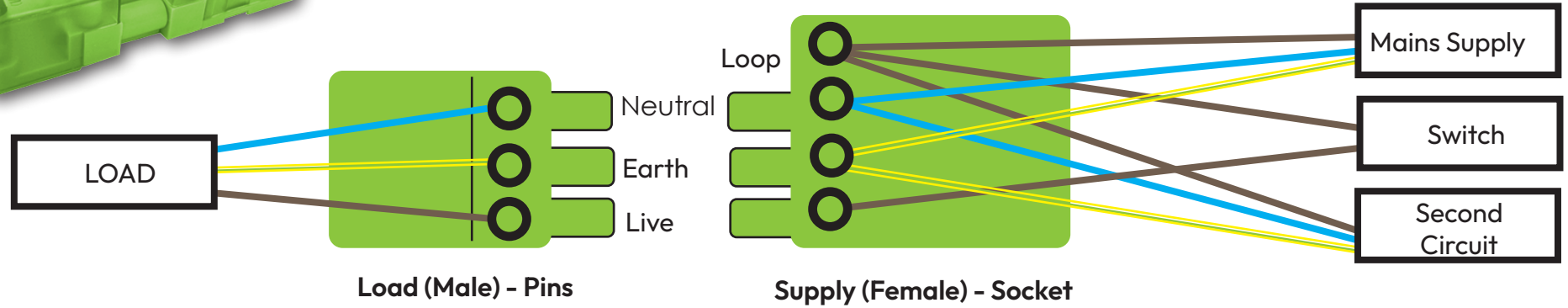
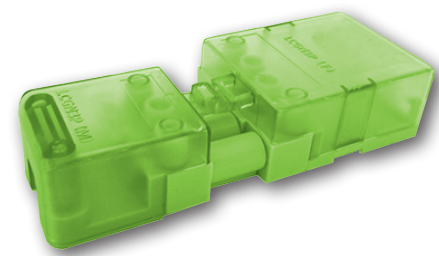
Product	LCGN3P	LCGN4P
Description	3 Way Connector	4 Way Connector
Pack Qty	50	
Barcode	5012739 5641404	5012739 645754
Max Voltage	400V	
Product Finsh	Polycarbonate Enclosure, Nylon Connector	
Product Weight	55g	79g
Dimensions L x W x H	L110 x W42 x H22.5mm	L113 x W55 x H22.5mm
Guarantee	1 Year	
Conforms to	EN 61535	

TECHNICAL WIRING INFORMATION

QUICK Connekt 3

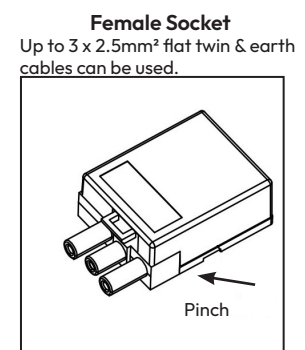
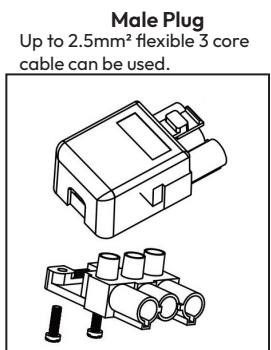
- 20A Lighting Connectors - for 3 core Flex
Wiring Diagram

LCGN3P - Wiring (Screw Terminals)



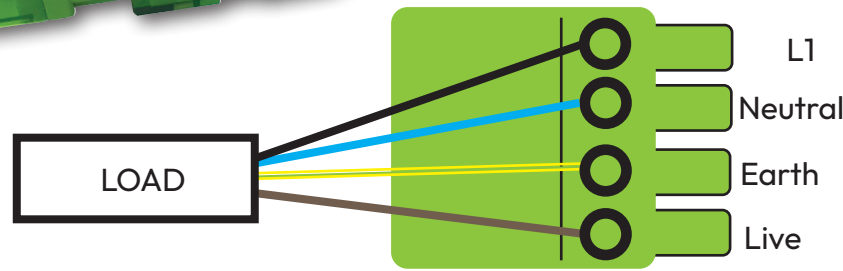
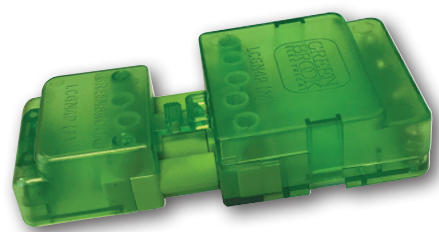
1 x cable entry
Each Terminal can be fitted with upto 1 x 2.5mm²

3 x cable entries
Each Terminal can be fitted with upto 3 x 2.5mm²



TECHNICAL WIRING INFORMATION

QUICK Connect 4

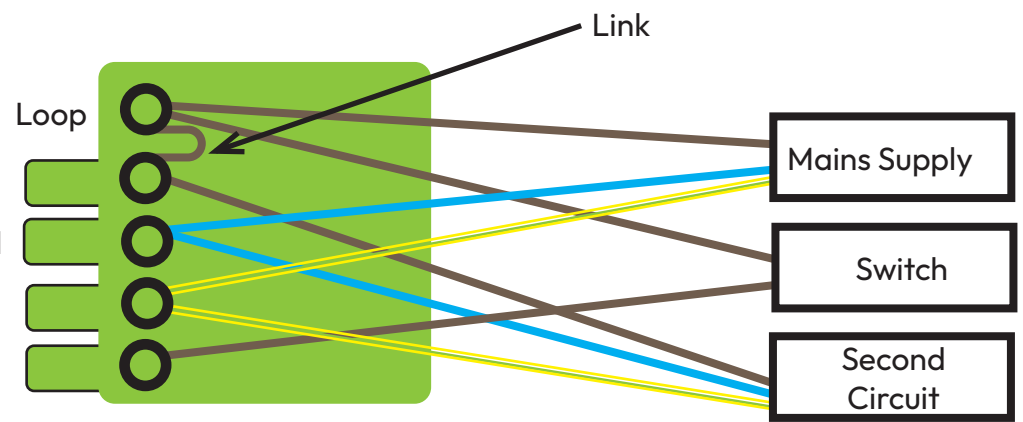


Load (Male) - Pins

1 x cable entry
Each Terminal can be fitted with upto 2 x 2.5mm²

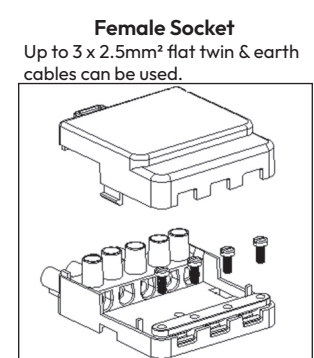
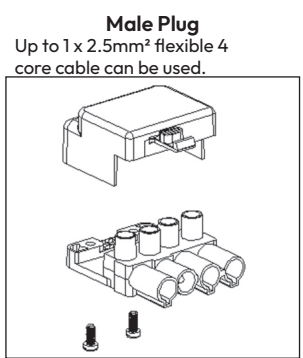
- 20A Lighting Connectors - for 4 core Flex
Wiring Diagram

LCGN4P - Wiring (Screw Terminals)



Supply (Female) - Socket

3 x cable entries
Each Terminal can be fitted with upto 3 x 2.5mm²



Example of the LCGN4P being used for connecting an emergency fitting