

FEATURES

- ▶ Suitable for LED and energy saving lamps
- ▶ Detection range 360°
- ▶ Adjustable time delay
- ▶ Adjustable ambient light
- ▶ PIR motion sensor
- ▶ LEDs upto 1000W (OD101 & ODPS300)
- ▶ LEDs upto 300W (OD102)



OD101 SLIMLINE INFRA-RED MOTION SENSOR



OD102 INFRA-RED MOTION SENSOR

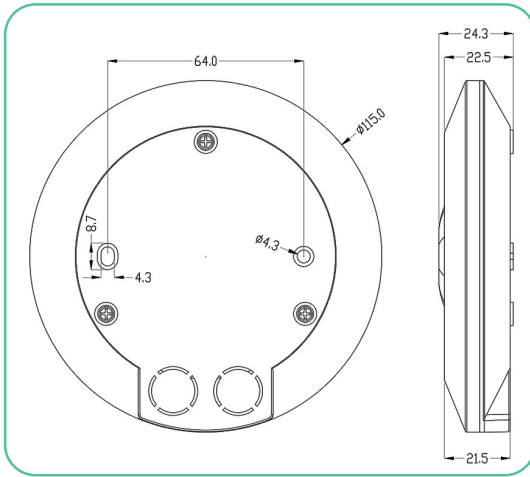


ODPS300 INFRA-RED MOTION SENSOR

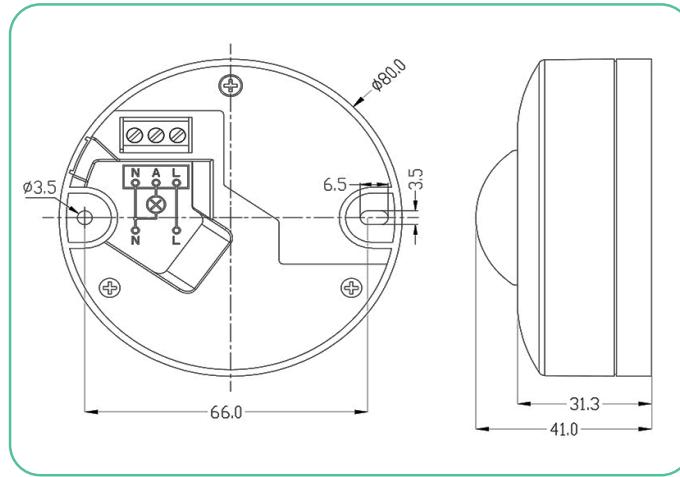
TECHNICAL INFO

| Product | OD101 | OD102 | ODPS300 |
|-------------------------------|--|--|--|
| Description | Surface/Ceiling Mounted Slimline Infra-Red Motion Sensor | Surface/Ceiling Mounted Infra -Red Motion Sensor | Surface/Ceiling Mounted Infra -Red Motion Sensor |
| Barcode | 5012739 642692 | 5012739 642708 | 5012739 642784 |
| Rated Voltage | 230V ~ 50Hz | | |
| IP Rating | IP20 | | |
| Ambient Light | <3-2,000 LUX (ADJ) | | |
| Time Delay | Min 10 Sec ± 3 Sec Max 15 Min ± 2 Min | | Min 10 Sec ± 3 Sec Max 30 Min ± 2 Min |
| LED Rated Load | Max 1000W | Max 300W | Max 1000W |
| Detection Range | 360° | | |
| Detection Distance | 6M Max (<24°C) | | 20M Max (<24°C) |
| Working Temperature | -20°C - +40°C | | |
| Working Humidity | <93%RH | | |
| Power Consumption | 0.5W approx | | |
| Installation Height | 2.2 - 4 Metres | | 2.2 - 6 Metres |
| Detection Moving Speed | 0.6 - 1.5 m/s | | - |
| Product Weight | 104g | 83g | 138g |
| Dimensions | 115Ø x D24.3mm | 80Ø x D41mm | 102.5 x 102.5 x 58.3mm |
| Guarantee | 1 Year | | |
| Conforms To | BS EN 61058-1 | | |

Dimensions - OD101 Slimline Surface/Ceiling Mounted

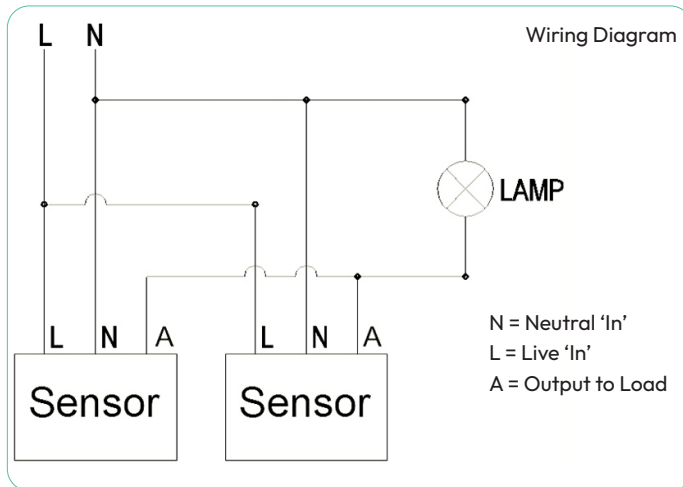


Dimensions - OD102 Surface/Ceiling Mounted

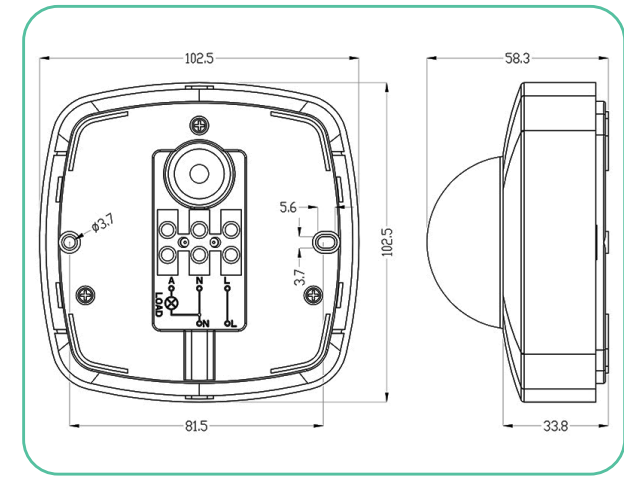


OD101 & OD102

- Circuit diagram if you are planning to use two sensors for one circuit.



Dimensions - ODPS300 Surface/Ceiling Mounted



ODPS300

- Circuit diagram if you are planning to use two sensors for one circuit.

