

FEATURES

- ▶ Suitable for LED and energy saving lamps
- ▶ Multi directional head
- ▶ Detection range 180°
- ▶ Adjustable time delay
- ▶ Adjustable ambient light



OD103/OD103B INFRA- RED MOTION SENSOR - IP65



OD104 INFRA- RED MOTION SENSOR - IP44

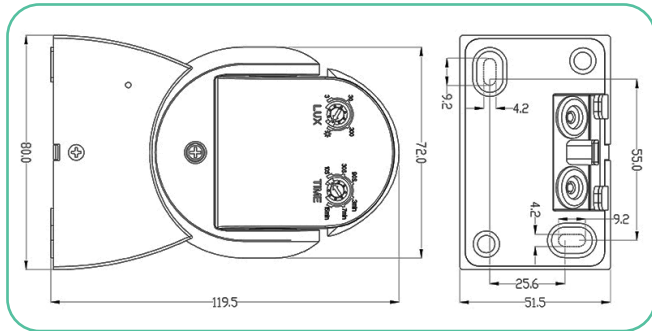


OD105 INFRA- RED MOTION SENSOR - CEILING MOUNTED

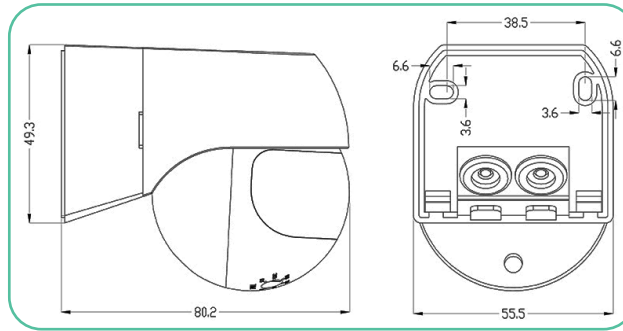
TECHNICAL INFO

Product	OD103	OD103B	OD104	OD105
Description	Infra-Red Motion Sensor (White)	Infra-Red Motion Sensor (Black)	Infra-Red Motion Sensor	Infra-Red Motion Sensor - Ceiling Mounted
Barcode	5012739 642715	5012739 643569	5012739 642722	5012739 642739
Rated Voltage	230V ~ 50Hz			
IP Rating	IP65		IP44	IP20
Ambient Light	<3-2,000 LUX (ADJ)			
Time Delay	Min 10 Sec ± 3 Sec Max 15 Min ± 2 Min			
LED Rated Load	Max 300W		Max 400W	
Detection Range	180°			360°
Detection Distance	12M Max (<24°C)			6M Max (<24°C)
Working Temperature	- 20° - + 40°C			
Working Humidity	<93%RH			
Power Consumption	0.5W approx			
Installation Height	1.8 - 2.3 Metres		1.8 - 2.5 Metres	2.2 - 4 Metres
Detection Moving Speed	0.6 - 1.5 m/s			
Product Weight	158g		97g	
Dimensions	119.5 x 80 x 51.5mm	119.5 x 80 x 51.5mm	80.2 x 55.5 x 66.5mm	80Ø - Total Depth 71.1mm Ceiling Protrusion 18.3mm
Guarantee	1 Year			
Conforms To	BS EN 61058-1			

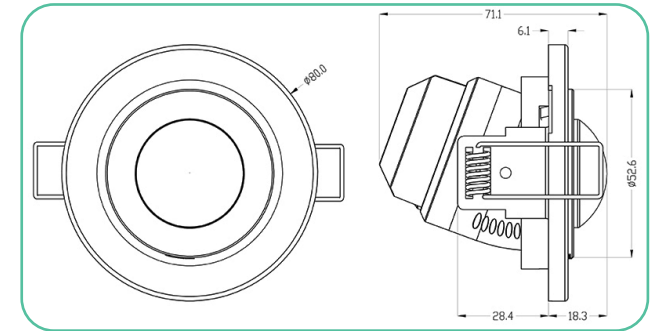
Dimensions - OD103 & OD103B IP65



Dimensions - OD104 IP44



Dimensions - OD105 IP20 Ceiling Mounted



OD103, OD103B, OD104 & OD105

- Circuit diagram if you are planning to use two sensors for one circuit.

