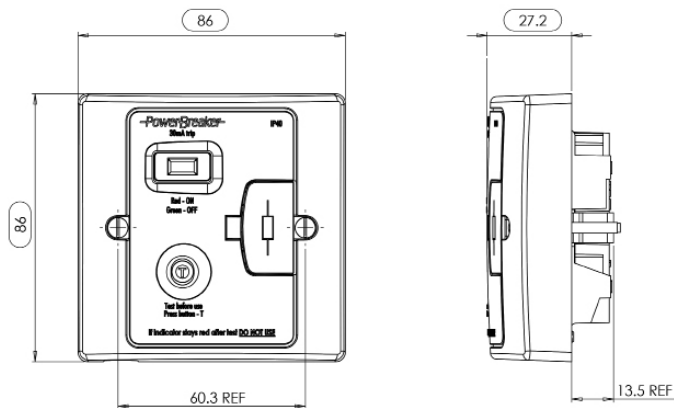


powerbreaker RCD Fused Connection Units

30mA Passive

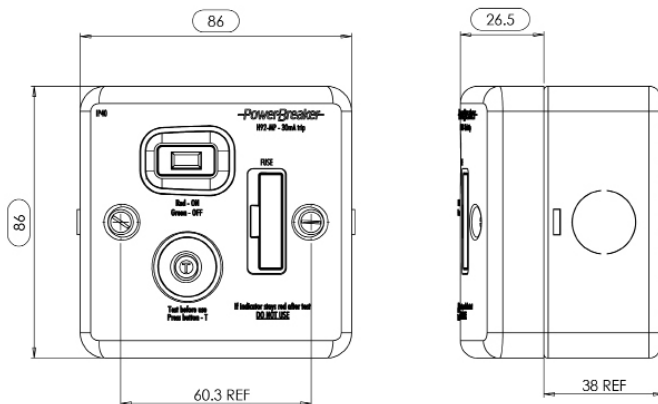
TECHNICAL
DATA SHEET

PRO
SERIES



H92-WP RCD FUSED CONNECTION UNIT - WHITE

TYPE A RCD
BS 7288-2016+A1:2022



H92-MP RCD FUSED CONNECTION UNIT - METAL

FEATURES

- ▶ Mechanically latched (does not need resetting after a power loss)
- ▶ Red & Green dual flag system to show power on/off
- ▶ High intensity LED power on indicator
- ▶ Cuts the power for added protection against electrocution
- ▶ Fused for all fixed electrical appliances

TECHNICAL INFO

Product	H92-WP	H92-MP
Product Finish	White	Metalclad
Barcode	5012739 646881	5012739 646898
Product Weight	195g	392g
Product Dimensions	86 x 86 x 27.2mm	86 x 86 x 26.5mm
Voltage	230V AC ~ 50Hz	
Max Operating Current	13A (13A Inductive)	
IP Rating	IP40	
Rated Trip Current	30mA	
Typical Trip Speed	Less than 20mS (typical)	
RCD Contact Break	Double pole	
Terminal Capacity	6mm ² max	
Rated Short Circuit Breaking & Making Capacity	250A	
Rated Conditional Short-Circuit Current	1500A Power Factor Range .93 to .98	
Latching	Mechanical - No need to reset after a Power Loss (Passive)	
Responsive To	Pulsating DC earth faults	
Main Housing Material	Urea	Steel & Polycarbonate
Cord Anchorage	Cable Dia: 4.6mm - 10.4mm Cable Size - 0.5mm ² to 1.5mm ²	
Guarantee	3 Years	
Conforms To	BS 7288-2016+A1:2022, BS1363-4:2016+A1:2018	