

Stainless Steel

FEATURES

- ▶ Self locking head design - 'roller ball locking' & locks into place at any length along the body
- ▶ Provides a strong, durable method of cable bundling
- ▶ Can be used indoor, outdoor and underground (including direct burial)
- ▶ Stainless Steel bases compliment S/S cable ties (see overleaf)
- ▶ Stainless Steel grade AISL304

TECHNICAL INFO

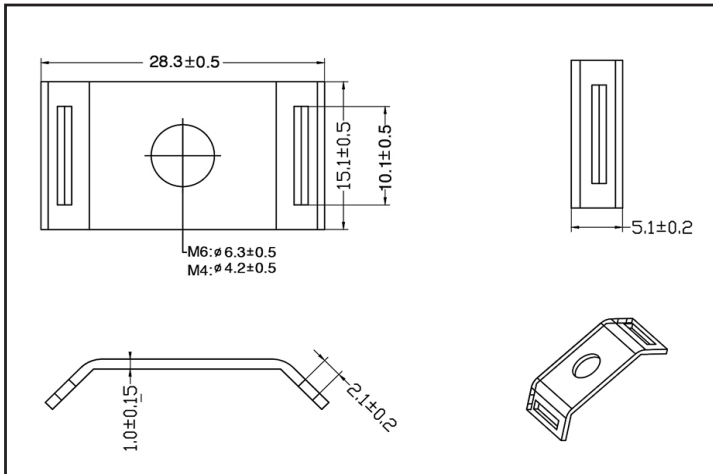
Product	160/46SS	200/46SS	300/46SS	360/46SS	520/46SS
Description	Stainless Steel Cable Ties				
Barcode	5012739 655074	5012739 612602	5012739 613944	5012739 614316	5012739 655081
Pack Qty	100				
Dimensions (mm)	L153 x 4.6mm	L200 x 4.6mm	L300 x 4.6mm	L360 x 4.6mm	L520 x 4.6mm
Working Temperature	-40°C -+500°C				
Minimum Installation Temp	-60°C				
Material	Stainless Steel grade AISI.304				
Weight (g)	1.67g	2g	3.4g	3.8g	5.8g
Tested to	EN IEC 62275				
Conforms To	BS EN IEC 62275:2019				



FEATURES

- ▶ Stainless Steel bases, designed to compliment S/S cable ties
- ▶ Can be used with cable ties upto 10mm wide
- ▶ Stainless Steel grade AISI.304

TECHNICAL INFO



Product	SSBM4	SSBM6
Description	Stainless Steel Bases	
Barcode	5012739 648380	5012739 648397
Pack Qty	100	
Dimensions (mm)	L28.3 x W15.1 x H5.1mm	L28.3 x W15.1 x H5.1mm
Fixing Hole Size	4.2mm (M4)	6.3mm (M6)
Max Tie Width	10	
Material Thickness	1mm	
Working Temperature	-80°C - +538°C	
Material	Stainless Steel grade AISI.304	
Weight	3g	