

Please read the instructions fully before attempting installation.

### IMPORTANT

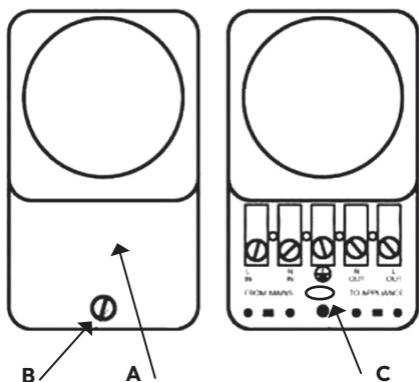
**This unit should be installed to current IET wiring regulations if in doubt consult a qualified electrician.**

- Timer must not be mounted on a flammable surface.
- Ensure that the timer does not come into contact with any combustible materials such as towels or bedding.
- Ensure at least a 300mm air space is allowed around the timer.

**THIS TIMER SHOULD NOT BE FITTED ONTO A CONDUCTIVE SURFACE (I.E METAL)**

### FIXING THE TIMER TO A WALL

Drill two 6mm holes 97mm vertically apart in the wall. Insert plastic anchor (supplied) into holes and fit one No.6 screw to top hole leaving a gap under the screw head of approximately 4.75mm. Place the keyhole slot over the screw and slide the timer down; if the timer is loose remove it, tighten the screw and refit the timer. Continue to do this until the timer fits securely against the wall. Remove terminal cover "A" by undoing screw "B". Insert the second No.6 screw into slot "C" and tighten. Your timer is now ready for wiring.



### WIRING THE TIMER

Your GreenBrook timer should be wired from a fused spur. We recommend a powerbreaker H92 RCD model.

**Switch off the mains and isolate the supply by removing the appropriate fuse before starting the installation.**

Prepare cables for connection to the timer, (see Diagram A).

The maximum size cable that can be used with this timer is 2.5mm. If flat twin and earth cable is used the bare earth cable must be fitted with green/yellow sleeving before fitting the earth terminal.

Fit the bare wire ends into the correct terminals (see Diagram B). You must ensure that there are no loose strands left out of the terminals.

**Firmly tighten all the screws.**

Using the cable clamps and screws provided and ensuring the cable clamp is fitted the correct way round, tightly secure the cable into position.

Ensure the correct cable cut-outs have been removed in terminal cover "A" and refit terminal cover "A" and tighten screw "B".

**N.B. Check all terminal screws are tight.**

Diagram A.

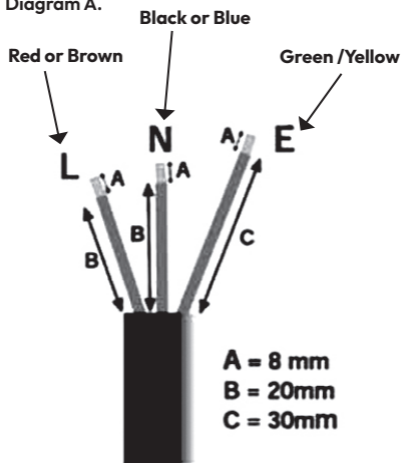
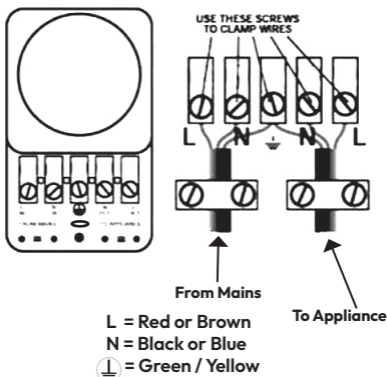


Diagram B.



## SETTING THE CLOCK

Turn the dial "A" (by turning with finger and thumb) in the direction of the arrow (clockwise) until the correct time of day is exactly opposite the time set marker ➔ in centre of the dial.

## SETTING THE PROGRAMMES

To set the ON periods push all the sliding segments away from the centre of dial, between your chosen ON and OFF time. The timer will operate during the coloured section now exposed. Each slide represents 2 hours. The timer will be in the OFF mode when the sliding segments are pushed towards the centre.

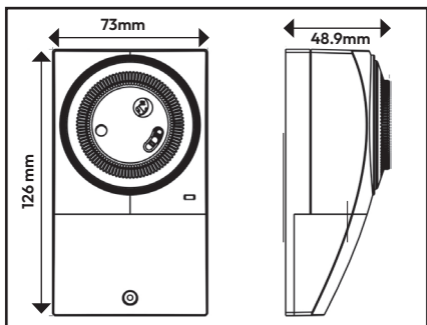
**When switch is pushed towards:**

- ⏪ = Timer will be permanently ON
- 🕒 = In the centre of the slot. The timer will work to the set programme.
- = Timer will be permanently OFF.

## TECHNICAL INFORMATION

Rated Voltage:	230V, AC 50Hz
Switching Capacity:	16A Resistive, 2A Inductive
Ambient Temperature:	-10°C to + 55°C
Shortest Switching Time:	2 Hours
Wattage:	3000W
Dimensions:	H126 x W73 x D48.9mm
Conforms To:	BS EN 60730-1 & EN 60730-2-7

## DIMENSIONS



## CE INFORMATION

ACTION TYPE: IB

POLLUTION SITUATION: NORMAL

CLASS 2 INSULATION:

$\mu$  :MICRO-DISCONNECTION LIVE POLE ONLY

### NOTE:

#### Product & Packaging Disposal

When disposing of this item and its packaging please follow local regulations and use an appropriate waste disposal centre. See GreenBrook website for further details.

### GUARANTEE

Your 7 Day Mechanical Timer  
is guaranteed for 1 year from  
the date of purchase.

This is in addition to your statutory rights.

PLEASE KEEP THESE INSTRUCTIONS  
SAFE FOR FUTURE REFERENCE