

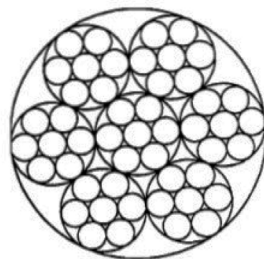


CWK30
Catenary Wire Kit



CW30

Dimensions



6 x 7 + IWS
3mm

FEATURES

- ▶ Steel Catenary Wire
- ▶ Wire - Bright zinc Plate Finish (electric-galvanised)

TECHNICAL INFO

Product	CWK30	CW30	CW50	CW100
Description	Catenary Wire Kit - 3mm x 30M Wire 4 x Grips, 2 x Eyes, 1 x 4" Strainer, 1 x Ring Plate & 1 x Hook Plate	Catenary Wire Kit - 30 Metres	Catenary Wire Kit - 50 Metres	Catenary Wire Kit - 100 Metres
Barcode	5012739605611	5012739627002	5012739617720	5012739626999
Pack Qty	1 Kit	30 Metre Hank	50 Metre Hank	100 Metre Drum
Material	Bright Zinc Plate			
Tensile Strength	1770 N/mm ²			
Construction	-	7 x 7		
Minimum Breaking Load	-	577kg		
Safe Working Load	-	115kg		
Safety Factor	5:1			
Guarantee	1 Year			
Conforms To	BS EN 12385-1			

TECHNICAL INFO

Product	CWT	WRP	WHP	WP	CWE	CWG	GA3
Description	4" Strainer / Tensioner	Ring Plate	Hook Plate	Wall Plate	Eye	Grip	Gripple 2-3mm
Barcode	5012739 617768	5012739 625893	5012739 625770	502739 646065	5012739 626982	5012739 617744	5012739 619618
Pack Qty	1				25	1	10
Material	Hot Dip Galvanised Steel				Galvanised Steel		
Product Weight	93g	170g	120g	111g	5g	8g	26g
Guarantee	1 Year						
Conforms to	BS EN 12385-1						



CWB

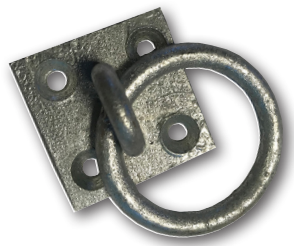
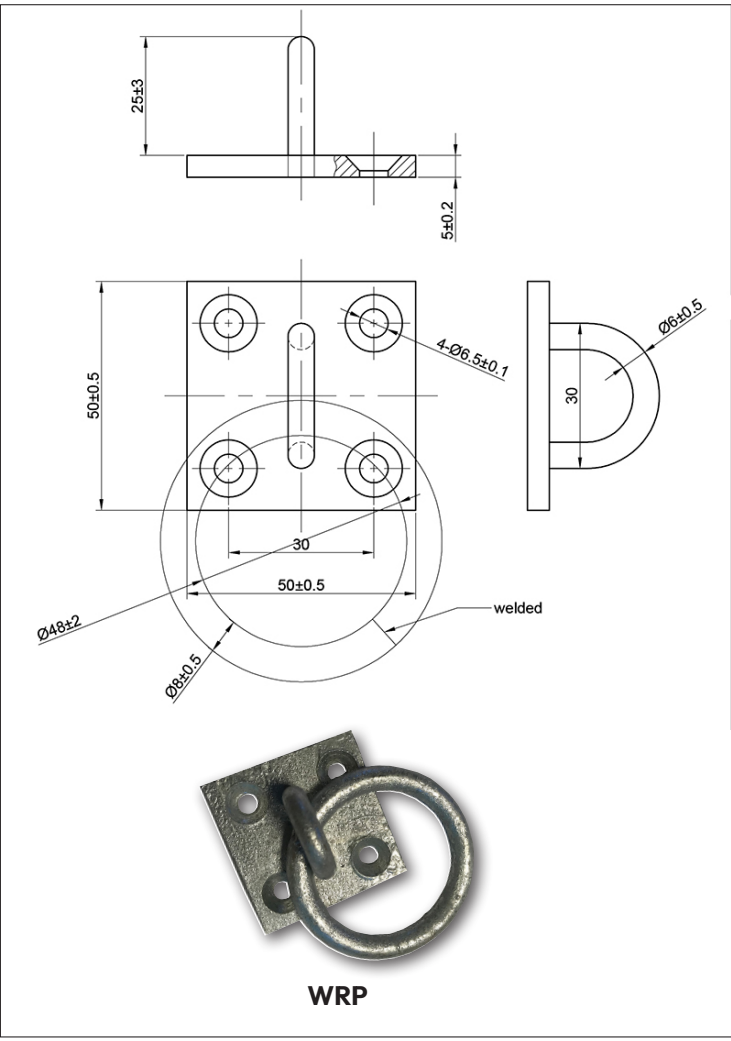
SIZE	A	W	C	H	h	NW
4MM	4.5~5.0	≈6.5	13 ⁺¹	21~23	3.0~3.5	0.8g

CWT

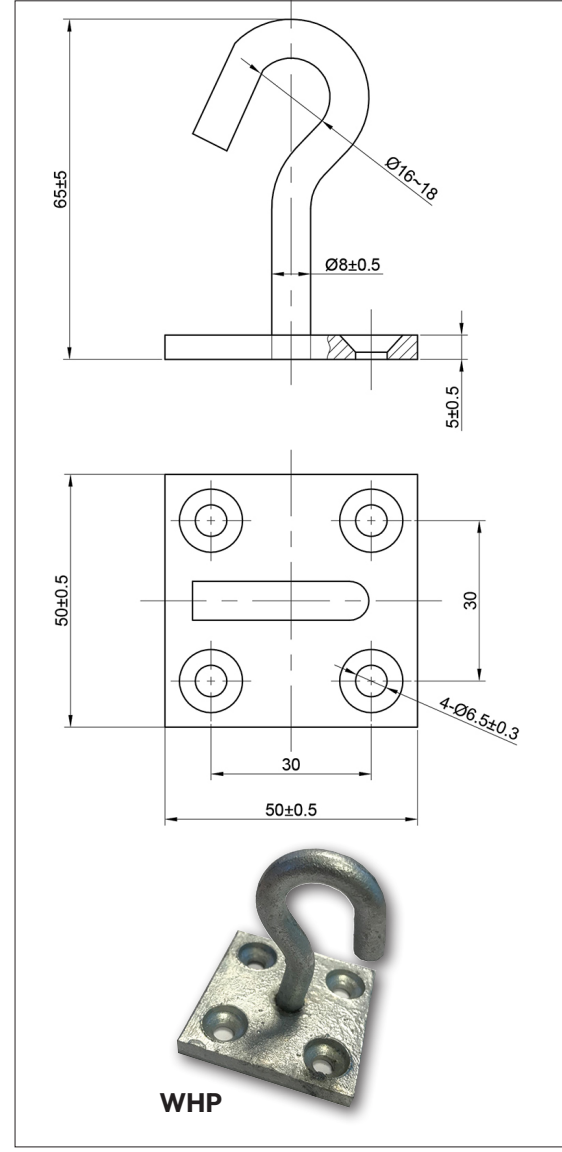
SIZE	M	L	W	H	d1	L1	L2	d2	NW
M8 x 110	M8	110	20	10	11	75	85	11	93g

CWG

SIZE	A	B	C	D	E	F	G	NW
3	18	—	9	4	9	—	16	8
5	21	—	11	5	10	—	20	13
6	24	—	11	5	12	—	21	15
8	28	—	12.5	6	14	—	27	25



WRP



WHP