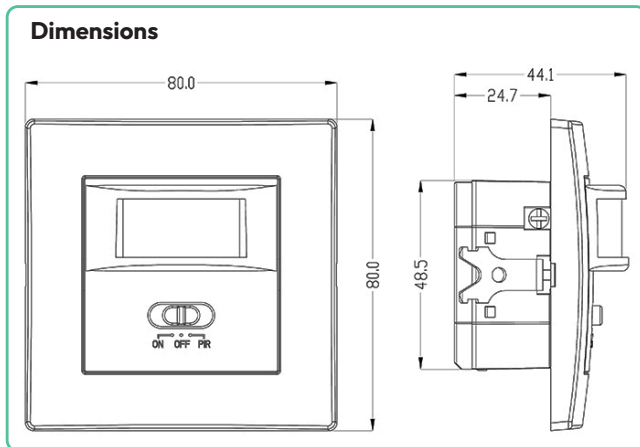


FEATURES

- ▶ Suitable for LED and energy saving lamps
- ▶ Detection range 160°
- ▶ Adjustable time delay & ambient light
- ▶ Built in replaceable fuse
- ▶ No neutral required
- ▶ Replaces existing light switch
- ▶ Fits a standard 25mm back box
- ▶ Suitable for wall mounting only

This product uses an **Infra-Red heat detector**. The detector senses 'warmth movement' in the surrounding area when it is dark. When movement is detected the sensor is activated and triggers the connected load. It has a built in photo-cell that can identify day and night.

**LEDs
upto
200W**



Model: OD100
Function Switch:
 'ON' = Permanently ON
 'OFF' = Permanently OFF
 'PIR' = PIR Control

Note:
 Suitable for wall mounting only
 Not suitable for parallel connections.

TECHNICAL INFO

Product	OD100
Description	Infra-red Motion Sensor wall switch
Product Finish	White
Barcode	5012739 642685
Voltage	230V AC ~ 50Hz
IP Rating	IP20
Ambient Light	<3-2,000 LUX (Adj)
LED Rated Load	5W - 200W
Time Delay	Min 10 sec ± 3 sec Max 7 Min ± 2 min
Detection Range	160°
Detection Distance	9M max (<24°C)
Working Temp	-20° - +40°C
Working Humidity	<93%RH
Power Consumption	0.5W approx
Installation Height	1 - 1.8M
Detection Moving Speed	0.6 - 1.5m/s
Fuse Type	3A, 20mm x 5mm
Dimensions	80 x 80 x 44.1mm
Guarantee	1 Year
Conforms To	BS EN 61058-1