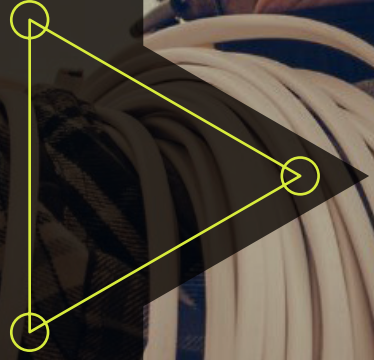




rior



Infra-Red Motion Detector

These products uses an Infra-Red heat detector.
 The detector senses 'warmth movement' in the surrounding area when it is dark.
 When movement is detected the sensor is activated and triggers the connected load.
 It has a built in photo-cell that can identify day and night.

- ✓ Suitable for LED and energy saving lamps
- ✓ Detection range 160°
- ✓ Adjustable time delay & ambient light
- ✓ Built in replaceable fuse
- ✓ PIR motion sensor
- ✓ No neutral required
- ✓ Replaces existing light switch
- ✓ Fits a standard 25mm back box
- ✓ Suitable for wall mounting only
- ✓ 1 Year Guarantee

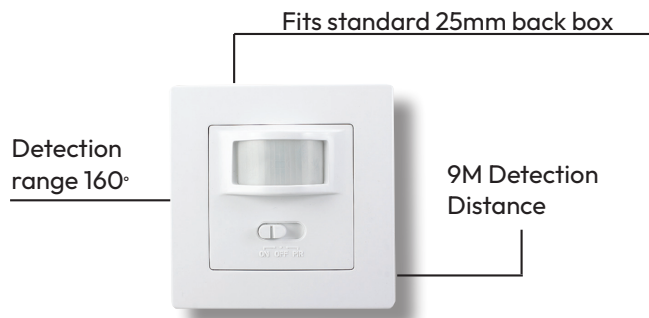
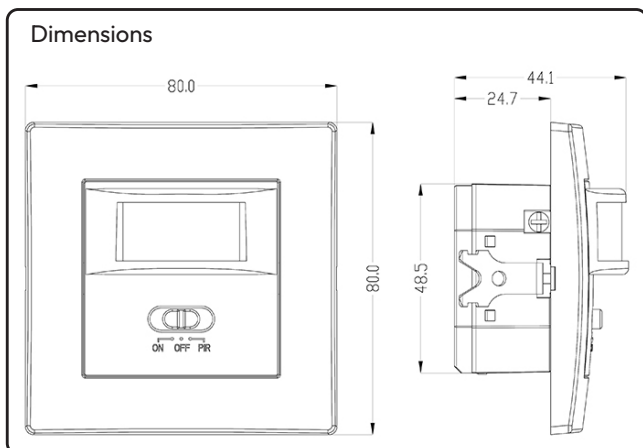
Suitable for LED Lamps

LEDs up-to 200W



OD100
Wall Switch Sensor
 96 on/off settings
 Weight 71g
 H79.5 x W79.5 x D44.4mm

TECHNICAL INFORMATION	
Voltage	230V AC ~ 50Hz
IP Rating	IP20
Ambient Light	<3-2,000 LUX (adj)
Time Delay	Min 10 sec ± 3 sec, Max 7 min ± 2 min
Rated Load	0W - 500W Tungsten, 5W - 200W Energy Saving/LED
Detection Distance	9M max (<24°C)
Detection Range	160°C
Working Humidity	<93%RH
Working Temp	-20°C - +40°C
Power Consumption	0.5W approx
Installation Height	1 - 1.8M
Detection Moving Speed	0.6 - 1.5m/s
Fuse Type	3A, 20mm x 5mm
Dimensions	80 x 80 x 44.1mm



Infra-Red Motion Detector

These products use an Infra-Red detector. The detector senses 'warmth movement' in the surrounding area when it is dark. When movement is detected the sensor is activated and triggers the connected load. It has a built in photo-cell that can identify day and night.

- ✓ **Adjustable time delay**
- ✓ **Working Temp -20°C - +40°C**
- ✓ **Power consumption 0.5W approx**
- ✓ **Adjustable ambient light**
- ✓ **Suitable for LED and energy saving lamps**
- ✓ **Detection range 360°**
- ✓ **PIR motion sensor**
- ✓ **Surface mounted, no cut-out required**
- ✓ **1 Year Guarantee**

OD101
Slimline Ceiling Sensor
 Weight 104g
 Diameter 115 x D24mm

LEDs
 up-to
1000W



Suitable for LED Lamps

TECHNICAL INFORMATION	
Voltage	230V AC ~ 50Hz
IP Rating	IP20
Ambient Light	<3-2,000 LUX (adj)
Time Delay	Min 10 sec ± 3 sec, Max 15 min ± 2 min
Rated Load	2000W Tungsten, 1000W Energy Saving/ LED
Detection Distance	6M max (<24°C)
Working Humidity	<93%RH
Installation Height	2.2 - 4M
Detection Moving Speed	0.6 - 1.5m/s
Fuse Type	3A, 20mm x 5mm
Conforms to	EN 60669-1, EN 60669-2-1, EN 55015, EN 61000-3-2, EN 61000-3-3, EN 61547

Infra-Red Motion Detector

- ✓ **Adjustable time delay**
- ✓ **Working Temp -20°C - +40°C**
- ✓ **Power consumption 0.5W approx**
- ✓ **Adjustable ambient light**
- ✓ **Suitable for LED and energy saving lamps**
- ✓ **Detection range 360°**
- ✓ **PIR motion sensor**
- ✓ **Surface mounted, no cut-out required**
- ✓ **1 Year Guarantee**

OD102
Ceiling Mounted Sensor
 Weight 86g
 Diameter 80 x D42mm

LEDs
 up-to
300W



Suitable for LED Lamps

TECHNICAL INFORMATION	
Voltage	230V AC ~ 50Hz
IP Rating	IP20
Ambient Light	<3-2,000 LUX (adj)
Time Delay	Min 10 sec ± 3 sec, Max 15 min ± 2 min
Rated Load	1200W Tungsten, 300W Energy Saving/LED
Detection Distance	6M max (<24°C)
Working Humidity	<93%RH
Installation Height	2.2 - 4M
Detection Moving Speed	0.6 - 1.5m/s
Fuse Type	3A, 20mm x 5mm
Conforms to	EN 61058-1, EN 55015, EN 61000-3-2, EN 61000-3-3, EN 61547

Infra-Red Motion Detector

- ✓ Detection range 180°
- ✓ PIR motion sensor
- ✓ Adjustable ambient light
- ✓ Multi directional head
- ✓ Suitable for indoor and outdoor use
- ✓ Power consumption 0.5W
- ✓ 1 Year Guarantee

TECHNICAL INFORMATION	
Voltage	230V AC ~ 50Hz
IP Rating	IP65
Ambient Light	<3-2,000 LUX (adj)
Time Delay	Min 10 sec ± 3 sec, Max 15 min ± 2 min
Rated Load	1200W Tungsten, 300W Energy Saving/LED
Detection Distance	12M max (<24°C)
Working Humidity	<93%RH
Installation Height	1.8 - 2.3M
Detection Moving Speed	0.6 - 1.5m/s
Conforms to	EN 61058-1, EN 55015, EN 61000-3-2, EN 61000-3-3, EN 61547



OD103
IP65 Infra-red Detector
 White
 Weight 159g
 H51 x W88 x D120mm

OD103B
IP65 Infra-red Detector
 Black
 Weight 159g
 H51 x W88 x D120mm

“High IP rating for severe weather conditions”



“Suitable for indoor and outdoor use”

Infra-Red Motion Detector

These products use an Infra-Red heat detector.

The detector senses 'warmth movement' in the surrounding area when it is dark, when movement is detected the sensor is activated and triggers the connected lead. It has a built in photo-cell that can identify day and night.

- ✓ **Adjustable time delay**
- ✓ **Power consumption 0.5W approx**
- ✓ **Suitable for LED and energy saving lamps**
- ✓ **Detection range 180°**
- ✓ **PIR motion sensor**
- ✓ **Adjustable ambient light**
- ✓ **Multi directional head**
- ✓ **Suitable for indoor and outdoor use**
- ✓ **1 Year Guarantee**

LEDs
up-to
400W

OD104
Infra-Red Motion Detector

Weight 97g
80.2 x 55.5 x 66.5mm



TECHNICAL INFORMATION	
Voltage	230V AC ~ 50Hz
IP Rating	IP44
Ambient Light	<3-2,000 LUX (adj)
Time Delay	Min 10 sec ± 3 sec, Max 15 min ± 2 min
Rated Load	800W Tungsten, 400W Energy Saving/LED
Detection Distance	12M max (<24°C)
Working Humidity	<93%RH
Installation Height	1.8 - 2.5M
Detection Moving Speed	0.6 - 1.5m/s
Conforms to	EN 60669-1, EN 60669-1, EN 55015, EN 61000-3-2, EN 61000-3-3, EN 61547

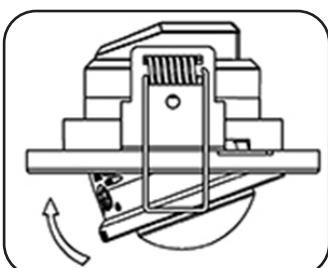
Infra-Red Motion Detector

- ✓ **Suitable for LED and energy saving lamps**
- ✓ **Detection range 360°**
- ✓ **Adjustable time delay**
- ✓ **PIR motion sensor**
- ✓ **Adjustable ambient light**
- ✓ **Hole cut out 65mm**
- ✓ **Tilt facility for easy adjustment**
- ✓ **1 Year Guarantee**

LEDs
up-to
400W

OD105
Flush Mounted Ceiling Detector

Weight 95g
Diameter 60 x D80mm



“Tilt facility for easy adjustment”

TECHNICAL INFORMATION	
Voltage	230V AC ~ 50Hz
IP Rating	IP20
Ambient Light	<3-2,000 LUX (adj)
Time Delay	Min 10 sec ± 3 sec, Max 15 min ± 2 min
Rated Load	800W Tungsten, 400W Energy Saving/LED
Detection Distance	6M max (<24°C)
Working Humidity	<93%RH
Installation Height	2.2 - 4M
Detection Moving Speed	0.6 - 1.5m/s
Conforms to	EN 60669-1, EN 60669-2-1, EN 55015, EN 61000-3-2, EN 61000-3-3, EN 61547

Infra-red Presence Detector - Surface Mounted

The ODPS300 functions as per the infra-red motion detectors however a 'Presence detector' has additional detectors built in which increases the devices sensitivity to small movements, for example sitting at a desk typing, keeps the trigger load running.

- ✓ **Adjustable time delay**
- ✓ **Working Temp -20° - +40°C**
- ✓ **Power consumption 0.5W approx**
- ✓ **Suitable for LED and energy saving lamps**
- ✓ **Detection range 360°**
- ✓ **PIR motion sensor**
- ✓ **Adjustable ambient light**
- ✓ **1 Year Guarantee**

Suitable for LED Lamps



TECHNICAL INFORMATION	
Voltage	230V AC ~ 50Hz
IP Rating	IP20
Ambient Light	<3-2,000 LUX (adj)
Time Delay	Min 10 sec ± 3 sec, Max 30 min ± 2 min
Rated Load	2000W Tungsten, 1000W Energy Saving/LED
Detection Distance	20M max (<24°C)
Working Humidity	<93%RH
Installation Height	2.2 - 6M
Conforms to	EN 61058-1, EN 55015, EN 61000-3-2, EN 61000-3-3, EN 61547

ODPS300
Infra-Red Presence Detector - Surface Mounted

Weight 140g
H60 x W102 x D102mm

Infra-Red Presence Detectors function as per the infra-red motion detectors however a presence detector has additional detectors built in which increases the device sensitivity to small movements for example sitting at a desk typing, keeps the trigger load running.



Energy Saving products



"360 Detection Range"

Microwave Motion Detector - Ceiling Mounted

A detector monitors the detection zone for occupancy, using radio waves in the microwave band (5.8 GHz) if a person is sensed then the detector will automatically turn the lighting on. When the area is vacated, the light will turn off after a pre-set time delay.

Most of our microwave detectors have a built in light level (LUX) sensor which will keep the lighting off if there is enough natural light available.

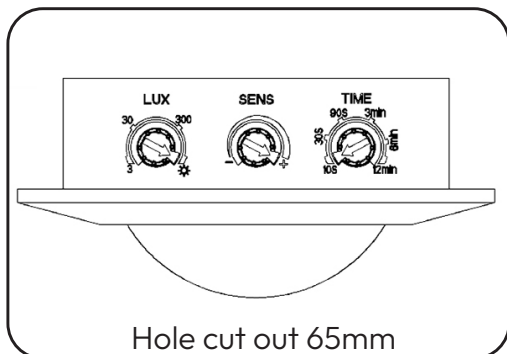
- ✓ **Adjustable time delay**
- ✓ **Suitable for LED and energy saving lamps**
- ✓ **Detection range 360°**
- ✓ **Hole cut out 65mm**
- ✓ **Power consumption 0.9W**
- ✓ **Microwave sensor**
- ✓ **Adjustable ambient light**
- ✓ **1 Year Guarantee**

**Suitable for LED
Lamps**

TECHNICAL INFORMATION	
Voltage	230V AC ~ 50Hz
IP Rating	IP20
Ambient Light	<3-2,000 LUX (adj)
Time Delay	Min 10 sec ± 3 sec, Max 12 min ± 1 min
Rated Load	1200W Tungsten, 300W Energy Saving/LED
Detection Distance	1.8M max adjustable
Working Humidity	<93%RH
Installation Height	1.5 - 3.5M
Detection Moving Speed	0.6 - 1.5m/s
Conforms to	EN 61058-1, EN 55015, EN 61000-3-2, EN 61000-3-3, EN 61547

A microwave presence detector monitors the detection zone for occupancy, using radio waves in the microwave band (5.8 GHz) if a person is sensed then the detector will automatically turn the lighting on. When the area is vacated, the light will turn off after a pre-set time delay. Most of our microwave detectors have a built in light level (Lux) sensor which will keep the lighting off if there is enough natural light available.

ODM200
Microwave Motion Detector - Ceiling Mounted
Weight 99g
Dia 74 x D76mm



Microwave Motion Detector - Adjustable

Our range of Microwave Presence Detectors are designed to reduce the amount of time lighting is left on unnecessarily, for example if an area is unoccupied or if there is sufficient natural light. Controlling lighting with a microwave presence detector can save up to 60% of lighting energy costs dependent on occupancy behaviour and the amount of natural light available: our microwave sensors can also be used to control heating and ventilation. As this detector uses microwaves, detection is possible through internal door panes of glass or thin walls.

- ✓ **Adjustable time delay**
- ✓ **Suitable for LED and energy saving lamps**
- ✓ **Power consumption 0.9W approx**
- ✓ **Microwave sensor**
- ✓ **Detection range 360° (ceiling)**
- ✓ **Detection range 180° (wall)**
- ✓ **Adjustable ambient light**
- ✓ **Suitable for incorporation into light fittings**
- ✓ **1 Year Guarantee**

Suitable for LED Lamps

LEDs up-to 300W

TECHNICAL INFORMATION	
Voltage	230V AC - 50Hz
IP Rating	IP20
Ambient Light	<3-2,000 LUX (adj)
HF System	5.8GHz CW radar, ISM band
Time Delay	Min 10 sec ± 3 sec, Max 12 min ± 1 min
Rated Voltage	1200W Tungsten, 300W Energy Saving/LED
Detection Distance	5 - 15M max adjustable (wall) 1 - 8M radius adjustable (ceiling)
Working Humidity	<93%RH
Installation Height	1.5 - 3.5M (wall) 2 - 8M (ceiling)
Detection moving speed	0.6 - 1.5m/s
Conforms to	EN 60669-1, EN 60669-2-1, EN 55015, EN 61000-3-2, EN 61000-3-3, EN 61547

“Suitable for incorporation into light fittings”



ODM201
Microwave Motion Detector - Adjustable

Weight 43g
H25.4 x W39.4 x D54.6mm

Microwave Motion Detector - Programmed Settings

As this detector uses microwaves, detection is possible through internal door panes of glass or thin walls.

- ✓ **Adjustable time delay**
- ✓ **Suitable for LED and energy saving lamps**
- ✓ **Power consumption 0.9W approx**
- ✓ **Microwave sensor**
- ✓ **Detection range 360° (ceiling)**
- ✓ **Adjustable ambient light**
- ✓ **Detection range 180° (wall)**
- ✓ **Suitable for incorporation into light fittings**
- ✓ **1 Year Guarantee**

Suitable for LED Lamps

TECHNICAL INFORMATION	
Voltage	230V AC ~ 50Hz
IP Rating	IP20
Ambient Light	2 LUX, 5 LUX, 20 LUX, 50 LUX, 2,000 LUX (choice)
HF System	5.8GHz CW radar, ISM band
Hold Time	5s, 30s, 1min, 5min, 10 min, 20min, 30min (choice)
Rated Load	1200W Tungsten, 300W Energy Saving/LED
Detection Distance	5 - 15M max adjustable (wall) 1 - 8M radius adjustable (ceiling)
Working Humidity	<93%RH
Installation Height	1.5 - 3.5M (wall) 2 - 8M (ceiling)
Detection Moving Speed	0.6 - 1.5m/s
Conforms to	EN 60669-1, EN 60669-2-1, EN 55015, EN 61000-3-2, EN 61000-3-3, EN 61547



ODM202
Microwave Motion Detector - Programmed Settings

Weight 46g
H25.4 x W37 x D64mm

Microwave Motion Detector - 1-10V Dimmable

- ✓ Adjustable time delay
- ✓ Suitable for LED and energy saving lamps
- ✓ Power consumption 0.9W approx
- ✓ Microwave sensor
- ✓ Detection range 360° (ceiling)
- ✓ Adjustable ambient light
- ✓ Detection range 180° (wall)
- ✓ Suitable for incorporation into light fittings
- ✓ More controllable fully dimmable
- ✓ 1 Year Guarantee

**Suitable for LED
Lamps**



ODM203

Microwave Motion Detector - 1-10V Dimmable

Weight 62g

H26 x W45 x D78mm

TECHNICAL INFORMATION

Voltage	230V AC ~ 50Hz
IP Rating	IP20
Ambient Light	2 LUX, 5 LUX, 20 LUX, 50 LUX, 2,000 LUX (choice)
HF System	5.8GHz CW radar, ISM band
Hold Time	5s, 30s, 1min, 5min, 10min, 20min, 30min
Rated Load	1200W Tungsten 300W Energy Saving/LED
Detection Distance	5 - 15M max adjustable (wall) 1 - 8M radius adjustable (ceiling)
Working Humidity	<93%RH
Installation Height	1.5 - 3.5M (wall) 2 - 8M (ceiling)
Detection Moving Speed	0.6 - 1.5m/s
Stand-by Dimming Level	10%, 20%, 30%, 50% (choice)
Conforms to	EN 60669-1, EN 60669-2-1, EN 55015, EN 61000-3-2, EN 61000-3-3, EN 61547

Photocells

The GreenBrook Photocell range offers a wide selection of products for dusk and dawn switching. A photocell detects the level of light and will turn lights on when it gets dark.

✓ **1 Year Guarantee**

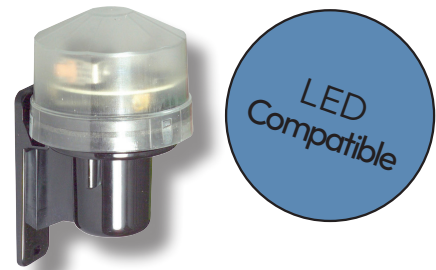
A maximum of 10 LED fittings can be used per photocell sensor

TECHNICAL INFORMATION	
Voltage	220-240V AC, 50/60Hz
IP Rating	PEC1000 & PECH - IP65 (when installed with suitable IP65 cable gland) PECR & PEC20 - IP65 (when installed with suitable enclosure)
Conforms to	EN IEC 60158-1:2018, EN 61058-1-1:2016, BS EN IEC 61058-1:2018 & BS EN 61058-1-1:2016

PEC1000

2000W/10A Electronic Photocell Kit with detachable sensing module

ON < 20Lux Off >80Lux
 Max switching capacity 7A
 Typical Load 1000W tungsten / 1800VA inductive load /
 LED Compatible 400W Max
 10 - 15 second switching delay



PECH

Replacement head for PEC1000

Max switching capacity 7A
 Typical Load 1000W tungsten / 1800VA inductive load /
 LED Compatible 400W Max
 10 - 15 second switching delay



PEC20

2000W/10A Remote Panel Mounting Photocell

ON <20Lux - OFF >80Lux
 Max switching capacity 3.5A
 2.1A, 500W tungsten, 3.5A, 850VA inductive load /
 LED Compatible 400W Max
 16mm mounting thread size with lockring



PECR

Photocell with Remote Sensing Head

10 ~ 20 Lux x ON (Dusk)
 30 ~ 60 Lux OFF (Dawn)
 IP65 Rated (when installed with suitable enclosure)
 Max switching capacity 6A
 Typical Load 6A tungsten / 6A inductive load /
 LED Compatible 400W Max
 Electrical life 3650 cycles
 20mm mounting thread size with lockring



NOTES