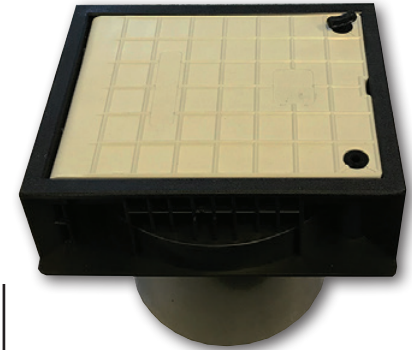
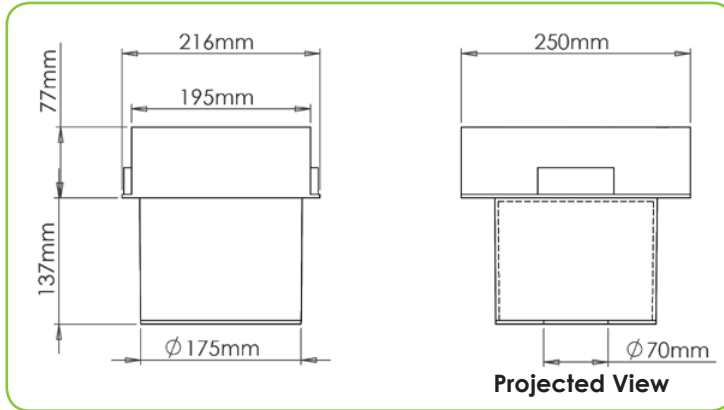


# LIGHTWEIGHT EARTH INSPECTION PIT



## NORSLO

- + High performance polymer
- + UV stable and chemical resistant
- + Lockable lid



**EPIT**

<b>Description</b>	Lightweight Earth Pit
<b>Pack Quantity</b>	1
<b>Barcode</b>	5012739646157
<b>Weight</b>	1.8kg
<b>Working Load</b>	5,000kg
<b>Rod Location Hole</b>	Central 70mm
<b>Conforms To</b>	BS EN 62305-3



Tel: 01279 772 772  
 Fax: 01279 422 007  
 Email: sales@greenbrook.co.uk  
 www.greenbrook.co.uk