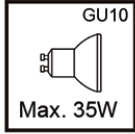
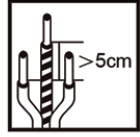
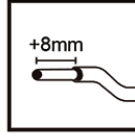
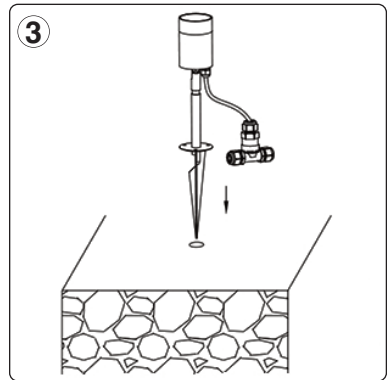
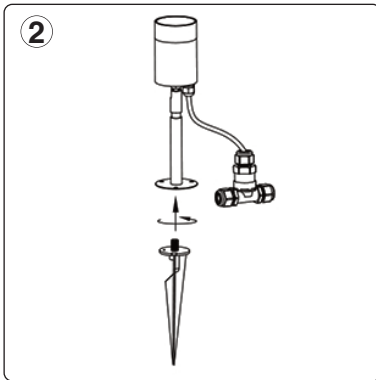
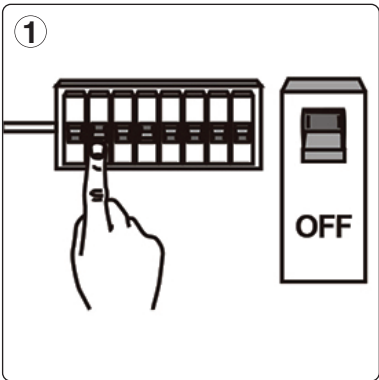


## IMPORTANT

This product should be installed by a competent person and in accordance with the current IET Wiring Regulations.  
If in doubt, consult a qualified electrician.

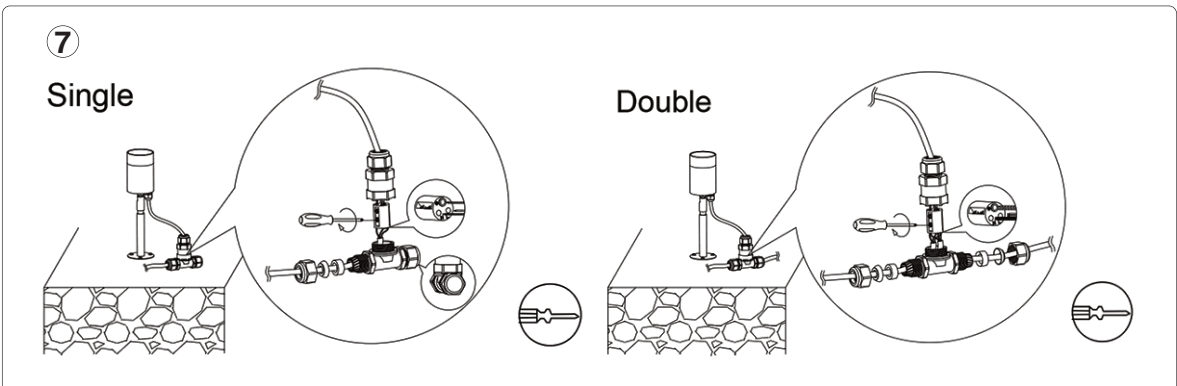
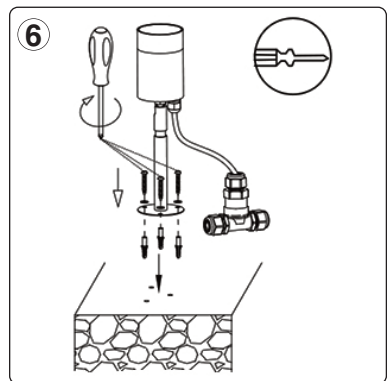
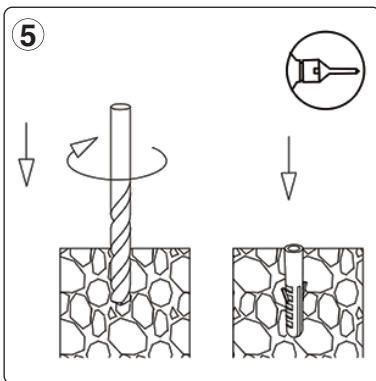
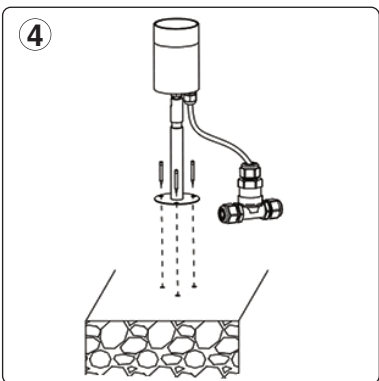


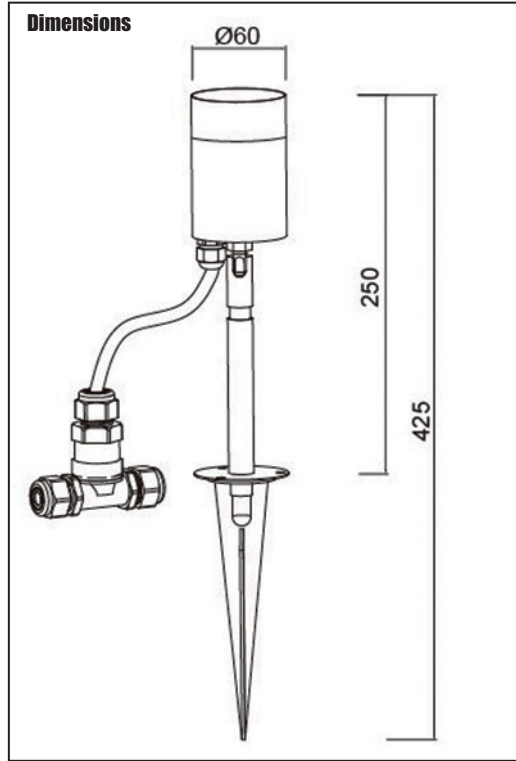
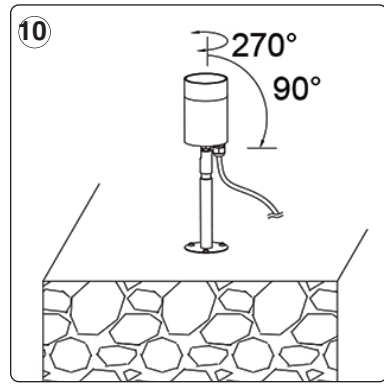
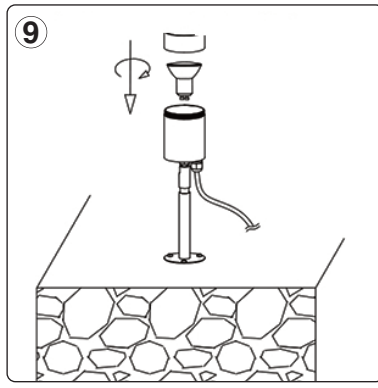
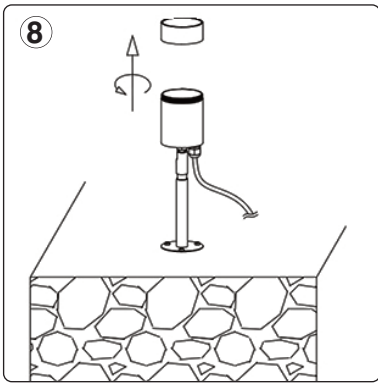
## INSTALLATION - with Ground Spike



Then please follow from Step 7 below

## INSTALLATION - without Ground Spike





### TECHNICAL INFORMATION

Rated voltage:	230 - 240V AC ~ 50/60Hz
Wattage:	1 x 35W Max
IP Rating:	IP44
Lamp Type:	GU10
Class Type:	Class 1
Housing:	Stainless Steel body & clear glass diffuser
Conforms To:	BS EN 60598-1

**GUARANTEE**  
 Your GreenBrook Alfresco Fitting  
 is guaranteed for 5 years from  
 the date of purchase.  
 This is in addition to your statutory rights.

*Please keep these instructions for future reference.*

**INSTALLER** - Please pass instruction manual onto the owner of the unit.

**GREEN  
 BROOK**  
 ELECTRICAL  
 WEST ROAD . HARLOW  
 ESSEX . CM20 2BG . UK  
 info@greenbrook.co.uk  
 www.greenbrook.co.uk