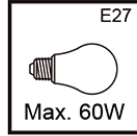
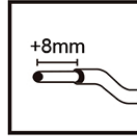
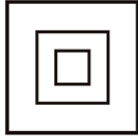
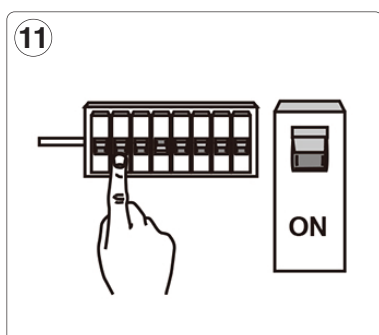
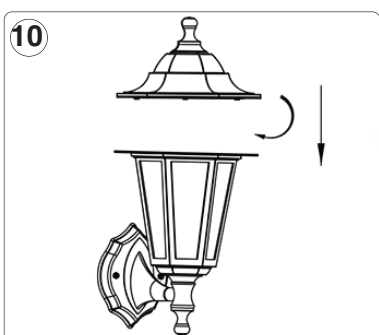
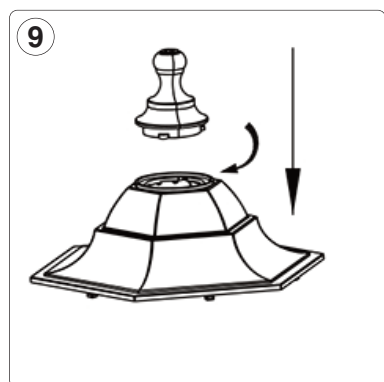
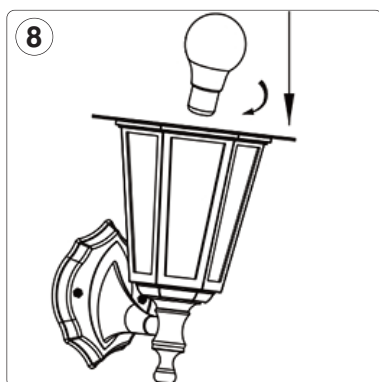
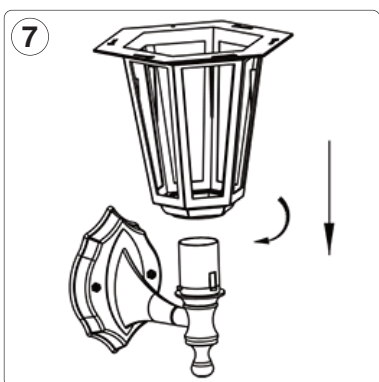
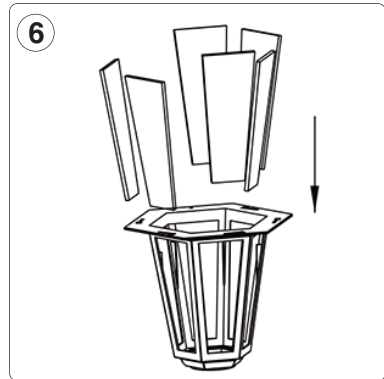
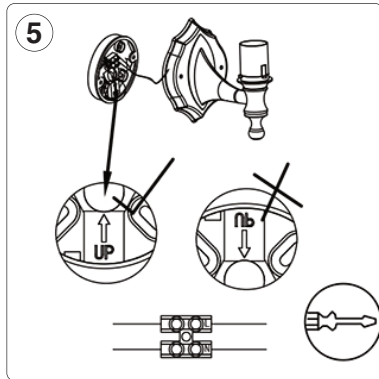
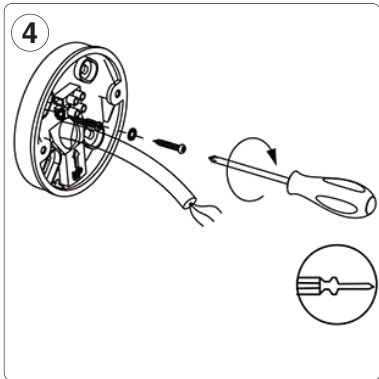
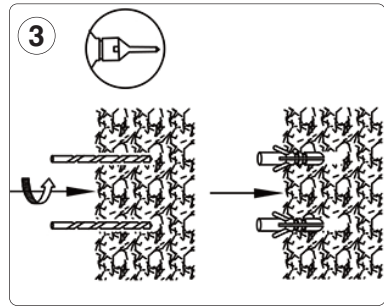
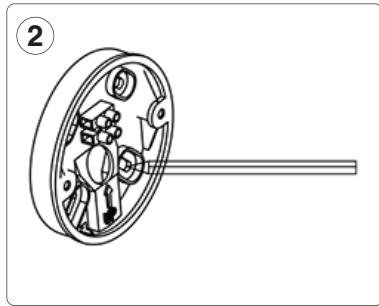
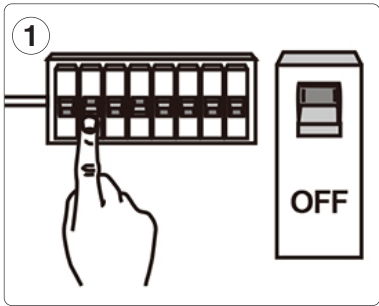


IMPORTANT

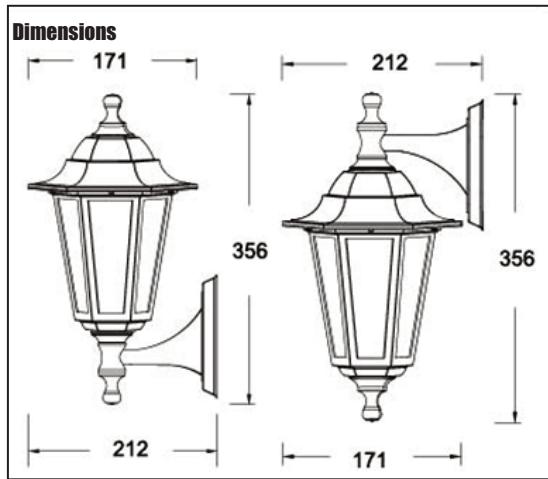
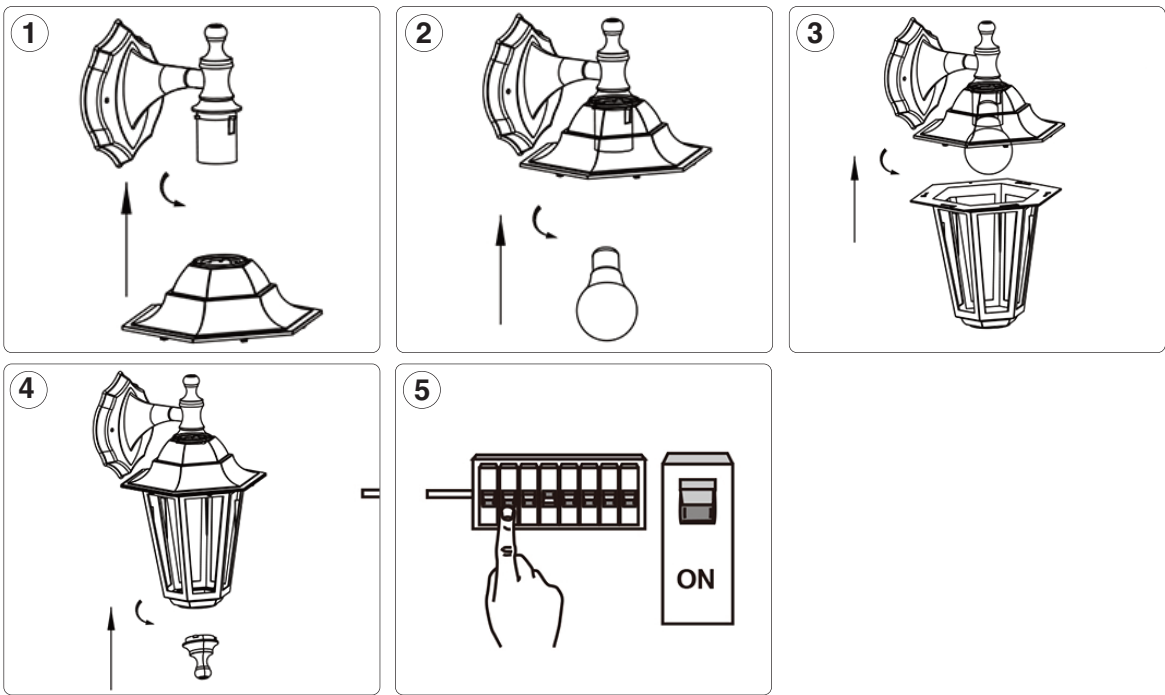
This product should be installed by a competent person and in accordance with the current IET Wiring Regulations.
If in doubt, consult a qualified electrician.



INSTALLATION & OPERATION



INSTALLATION FOR DOWNWARD MOUNT



TECHNICAL INFORMATION

Rated voltage:	230 - 240V AC ~ 50/60Hz
Wattage:	1 x 60W Max
IP Rating:	IP44
Lamp Type:	E27
Class Type:	Class II
Housing:	Plastic body & glass diffuser
Conforms To:	BS EN 60598-1

GUARANTEE
Your GreenBrook Alfresco Fitting
is guaranteed for 5 years from
the date of purchase.
This is in addition to your statutory rights.

Please keep these instructions for future reference.

INSTALLER - Please pass instruction manual onto the owner of the unit.

**GREEN
BROOK**
ELECTRICAL
WEST ROAD . HARLOW
ESSEX . CM20 2BG . UK
info@greenbrook.co.uk
www.greenbrook.co.uk