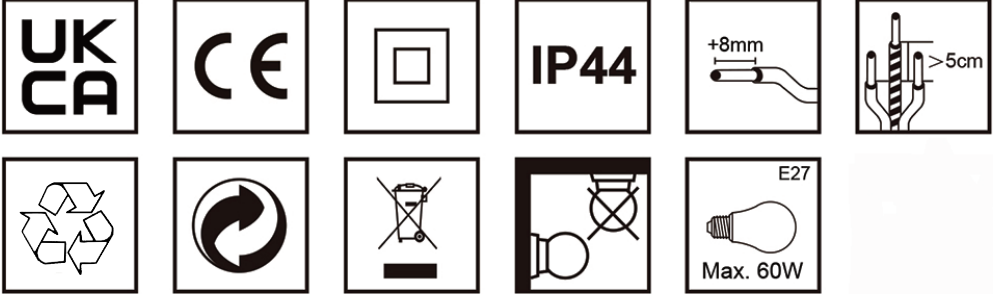
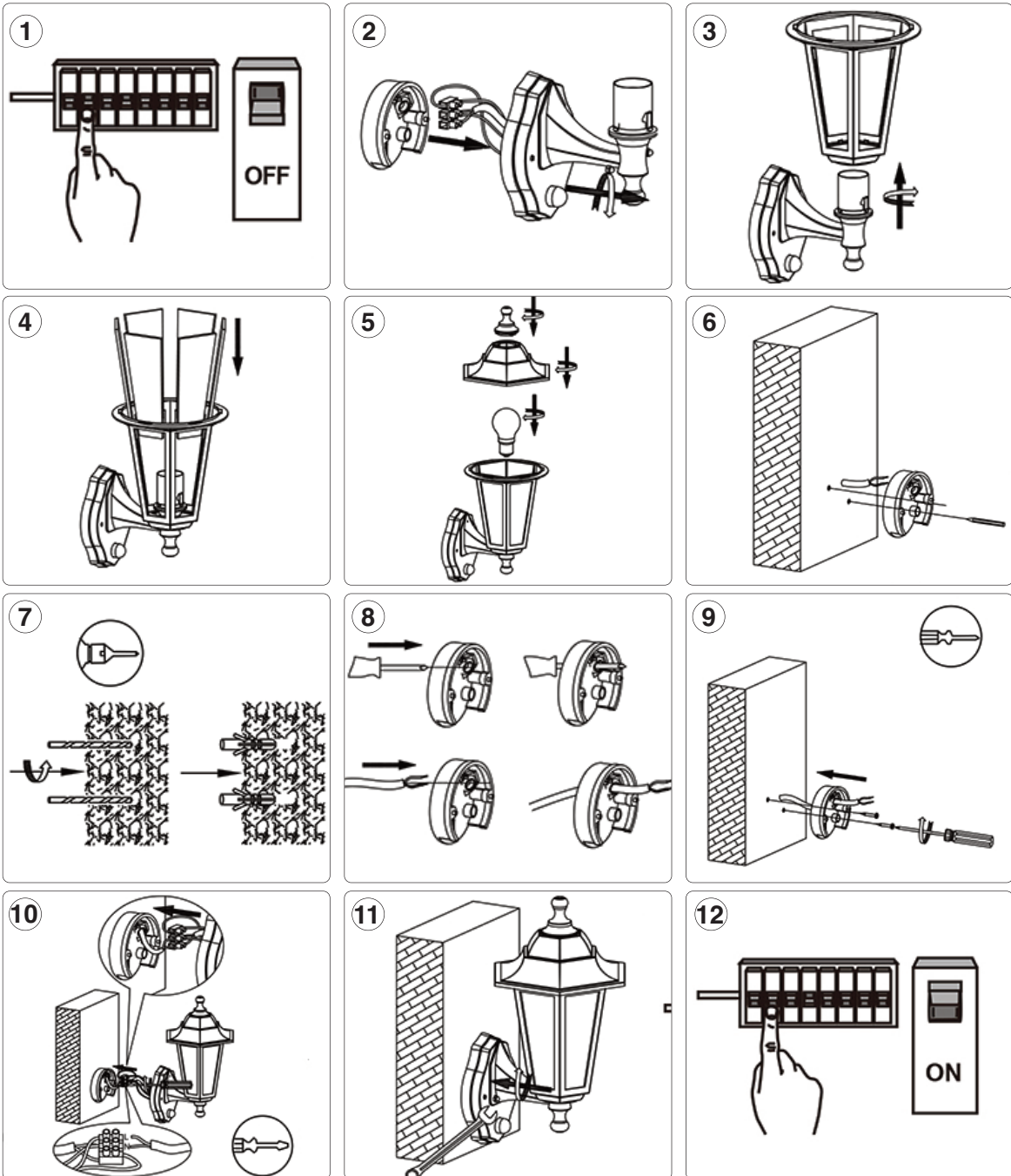


IMPORTANT

This product should be installed by a competent person and in accordance with the current IET Wiring Regulations.
If in doubt, consult a qualified electrician.

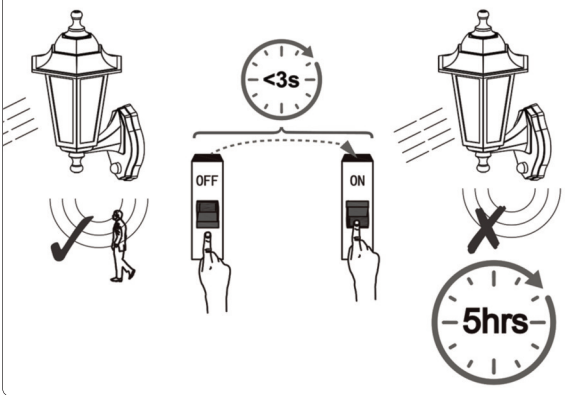


INSTALLATION & OPERATION

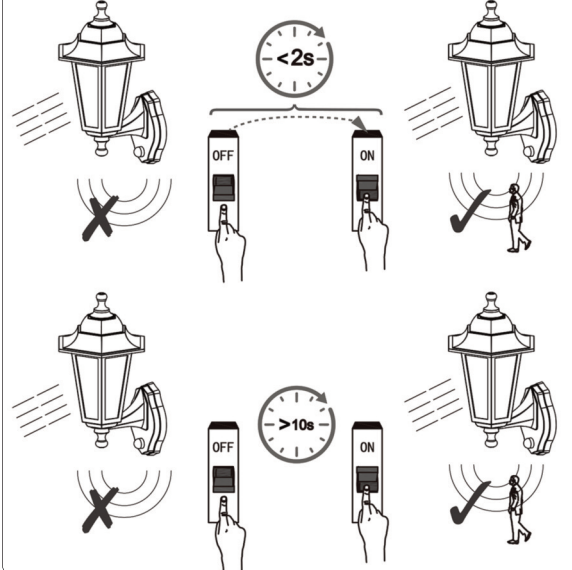


PIR OPERATION

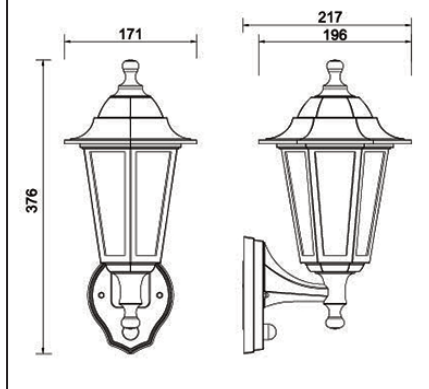
To Activate Sensor Override Mode



To De-activate Sensor Override Mode



Dimensions



TECHNICAL INFORMATION

Rated voltage:	230 - 240V AC ~ 50/60Hz
Wattage:	1 x 60W Max
IP Rating:	IP44
Lamp Type:	E27
Class Type:	Class II
Detection Distance:	0 - 8 Metres
Time Delay:	90 Secs
Mount Height:	2.5 Metres
Housing:	Plastic body & glass diffuser
Conforms To:	BS EN 60598-1

GUARANTEE
 Your GreenBrook Alfresco Fitting
 is guaranteed for 5 years from
 the date of purchase.
 This is in addition to your statutory rights.

Please keep these instructions for future reference.

INSTALLER - Please pass instruction manual onto the owner of the unit.

**GREEN
BROOK**
 ELECTRICAL
 WEST ROAD . HARLOW
 ESSEX . CM20 2BG . UK
 info@greenbrook.co.uk
 www.greenbrook.co.uk