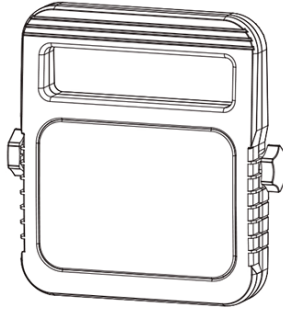


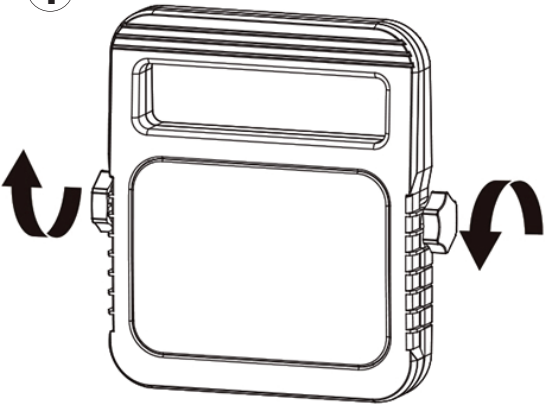
IMPORTANT

This product should be installed by a competent person and in accordance with the current IET Wiring Regulations.
If in doubt, consult a qualified electrician.

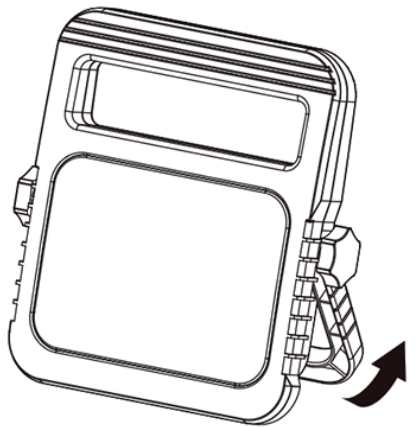


INSTALLATION & OPERATION

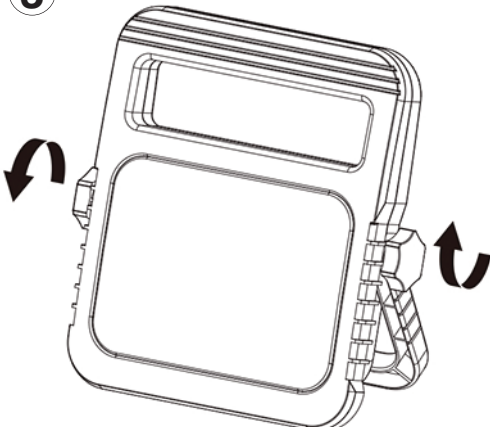
1



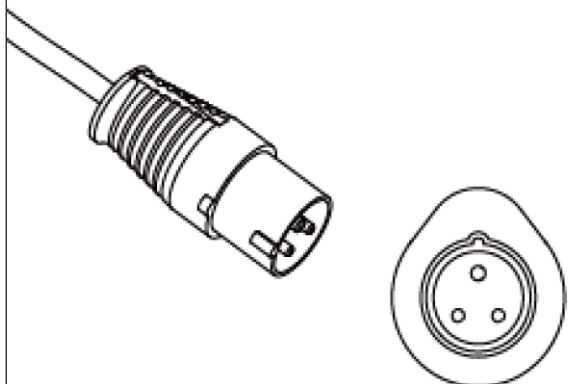
2

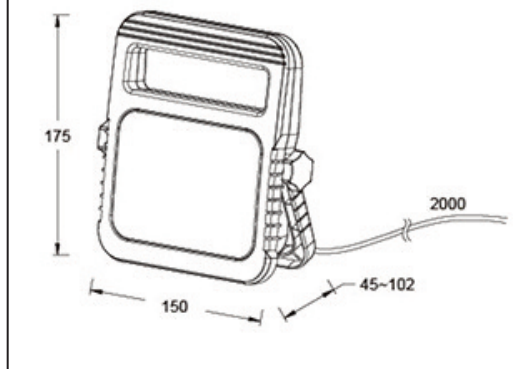


3



4



Dimensions**TECHNICAL INFORMATION**

Rated voltage:	110V AC ~ 50/60Hz
Wattage:	11W
Lumens:	1040
IP Rating:	IP54
Colour Temperature:	5,000K
Class Type:	I
No of LED's:	8
CRI:	80
Housing:	ABS & Polycarbonate body & Clear Polycarbonate diffuser
Conforms To:	BS EN 60598

GUARANTEE

*Your GreenBrook Work Light fitting
is guaranteed for 5 years from
the date of purchase.
This is in addition to your statutory rights.*

Please keep these instructions for future reference.

INSTALLER - Please pass instruction manual onto the owner of the unit.

**GREEN
BROOK**
ELECTRICAL
WEST ROAD . HARLOW
ESSEX . CM20 2BG . UK
info@greenbrook.co.uk
www.greenbrook.co.uk