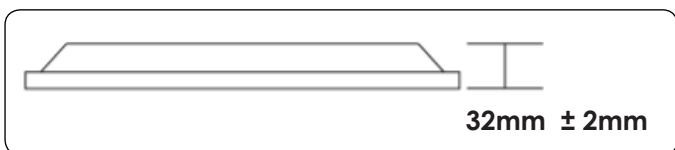
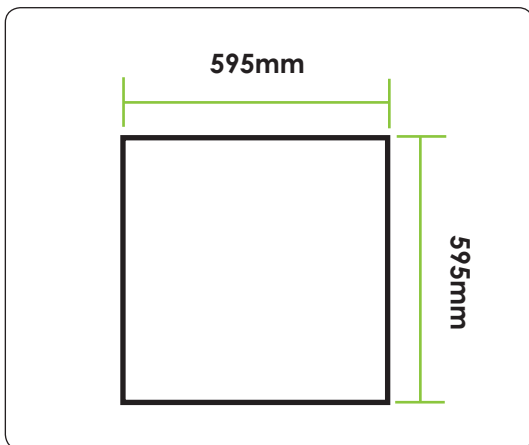


ATLAS RANGE - IP20 LED CEILING PANEL

- + 36W Back lit ceiling panel
- + To fit 600 x 600mm ceiling grids
- + Conforms to BS EN60598



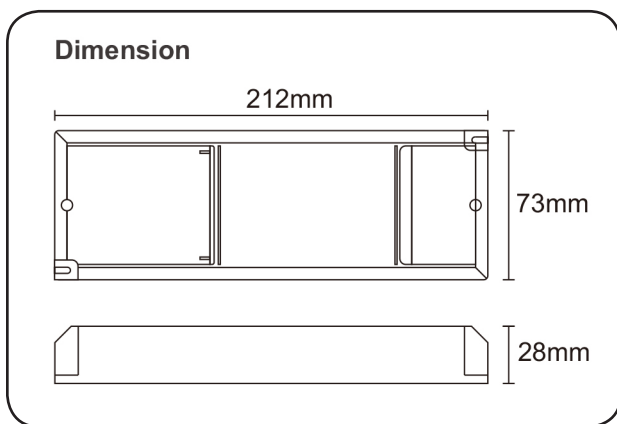
Please see overleaf for the full details on the Emergency driver - Part No LEDPEP



| LEDPAN1 | |
|----------------------|----------------------------------|
| LED Chip | 48 pcs x SMD2835 |
| Barcode | 5012739658365 |
| Wattage | 36W |
| Power Rating | 220V/240V AC ~50Hz |
| Colour Temp | 4,000K |
| Class | II |
| IP Rating | IP20 |
| Lumens | 3200 Lumens / 90 lm/W |
| Driver | AGT 1786A-0850 |
| Operating Temp Range | -10°C - +40°C |
| Beam Angle | 120° |
| Main Housing | 0.3mm Metal Housing |
| Finish | PMMA Lens & Polystyrene Diffuser |
| Product Weight | 1599.5g |
| Dimensions | 595 X 595 X 32mm |
| Guarantee | 3 Years |
| Conforms To | BS EN60598 |

ATLAS RANGE - Remote Emergency Pack for LED CEILING PANEL

- + LED emergency converter to transfer LED fitting into emergency version
- + For use with GreenBrook LEDPAN1 panel
- + Lithium iron phosphate battery
- + Test switch & charge indicator



| | LEDPEP |
|-----------------------------------|--|
| Barcode | 5012739648991 |
| Emergency Mode | Maintained |
| Emergency Output Power | 2W |
| Input Voltage | 220 to 240 VAC ~50/60Hz |
| AC Input Power | 4W |
| AC Input Current | 50mA |
| Output Voltage Range | 10-50 VDC |
| Class Type | II |
| Electrical Protection Unit Output | SELV |
| Power Factor | >0.5 |
| Battery Voltage | 6.4V |
| Battery Capacity | 1.5Ah |
| IP Rating | IP20 |
| Charge time | >16 hours |
| Working Environment | -0-50°C, 65+20% RH |
| Operating Temp Range | up to 70°C |
| Lumen Factor | 300 lms (with LEDPAN1) |
| Hole Cut Out | 20mm |
| Cable Lengths | 300mm |
| Product Weight | 346g |
| Dimensions | L212 x W73 x D28mm |
| Guarantee | 3 Years |
| Conforms To | EN 55015, EN61547, BS EN61000-3-2, BS EN 61357-1, BS EN61347-2-13 & EN 62493 |