

Safety Instructions for Fibreglass Ladders

Swingback Part No's:

LAD4, LAD5, LAD6, LAD7, LAD8, LAD9 & LAD10

Platform Part No's:

LADP4, LADP5, LADP6, LADP7, LADP8, LADP9 & LADP10

EN 131

FOR PROFESSIONAL USE ONLY



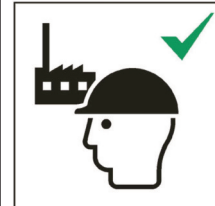
WARNING
Fall Hazard.



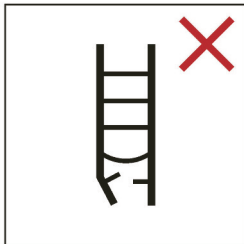
Read all
Instructions.



Maximum
Total Load 150Kg.



Ladder for Professional use.



Inspect the ladder after delivery. Before every use visually check the ladder is not damaged and is safe to use. Do not use a damaged ladder.



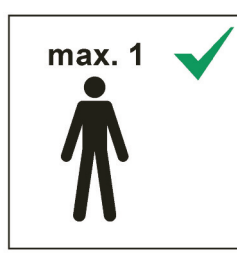
Do not use the ladder on a
uneven or unfirm base.



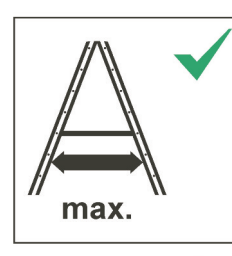
Do not over-reach.



Do not erect ladder on
contaminated ground.



Maximum
number of users.



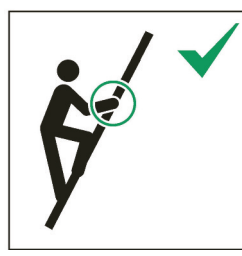
Open the ladder
fully before use.



Do not ascend or
descend unless you are
facing the ladder.



Do not step off the side
of the ladder onto
another service.



Keep a secure grip on the ladder
when ascending and descending.
Maintain a handhold whilst working
from a ladder or take additional
safety precautions if you cannot.



Do not stand on the top
two steps/rungs of a
standing ladder without
a platform and
hand/knee rail.

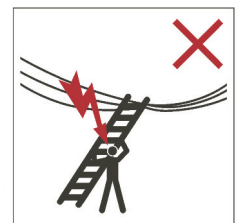
Check before using the ladder:-

1. DO NOT use the ladder if you are not fit enough. Certain medical conditions or medication, alcohol or drug abuse could make ladder use unsafe.
2. When transporting ladders on roof bars, ensure they are suitably placed to prevent damage.
3. Inspect the ladder after delivery and before first use to confirm condition and operation of all parts.
4. Visually check the ladder at the start of each working day when the ladder is to be used.
5. For professional users regular periodic inspection is required.
An **inspection tag** is supplied on the ladders to report this information.
6. Ensure the ladder is suitable for the task.
7. DO NOT use a damaged ladder.
8. DO NOT use the ladder outside in adverse weather conditions, such as strong winds.
9. For professional use a risk assessment shall be carried out respecting the legislation in the country of use .
10. DO NOT modify the ladder design.



Positioning and erecting the ladder:-

1. Locking devices if fitted shall be fully secured before use.
2. The ladder shall be on an even, level and unmovable base.
3. The ladder shall never be repositioned from above.
4. When positioning the ladder take into account risk of collision with the ladder e.g. from pedestrians, vehicles or doors. Secure doors (not fire exits) and windows where possible in the work area.
5. **Warning Electrical Hazard:** Identify any electrical risks in the work area, such as overhead lines or other exposed electrical equipment. Do not use the ladder where electrical risks occur.
6. Use non-conductive ladders for unavoidable live electrical work.
7. The ladder shall be stood on its feet, not the rungs or treads.
8. The ladders shall not be positioned on slippery surfaces (such as ice, shiny surfaces or significantly contaminated solid surfaces) unless additional effective measures are taken to prevent the ladder slipping or ensuring contaminated surfaces are sufficiently clean.



Using the ladder:

1. DO NOT exceed the maximum permissible load for the type of ladder.
2. Avoid work that imposes a sideways load on ladders, such as side-on drilling through solid materials.
3. DO NOT use standing ladders for access to another level.

Using the ladder (continued):

- DO NOT stand on the top two steps/rungs of a standing ladder without a platform or hand/knee rail.
- Ladders should only be used for light work of a short duration.
- Take precautions against children playing on the ladder.
- Secure doors (not fire exits) and windows where possible in the work area.
- Keep a secure grip on the ladder when ascending and descending. Maintain a handhold whilst working from a ladder or take additional safety precautions if you cannot.
- Face the ladder when ascending and descending.
- DO NOT move a ladder while standing on it.
- Standing ladders shall not be used as a leaning ladder unless it is designed to do so.
- DO NOT use the ladder as a bridge.
- DO NOT wear unsuitable footwear when climbing a ladder.
- Avoid excessive side loadings e.g drilling brick and concrete.
- DO NOT spend long periods on a ladder without regular breaks (tiredness is a risk).
- DO NOT carry equipment which is heavy or difficult to handle while using a ladder.
- Maintain a handhold whilst working from a ladder or take additional safety precautions.
- Use a ladder with restraint devices engaged only.
- Any horizontal surface which looks like a platform on a standing ladder that is NOT designed for standing on (e.g. a plastic work tray) shall be clearly indicated on that surface.

The rated load of the plastic work tray is 10kg.

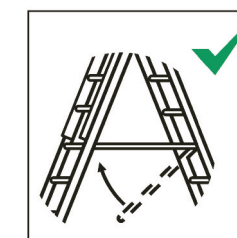
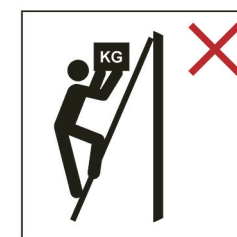
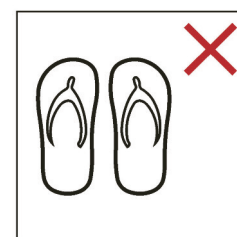
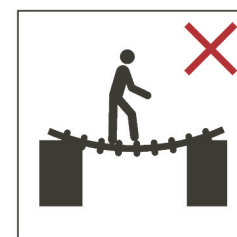
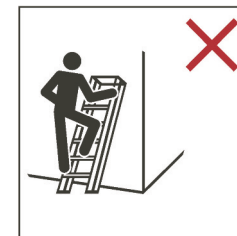
Repair, maintenance and storage:

Repairs and maintenance shall be carried out by a competent person and be in accordance with these instructions.

Note: There are NO user replaceable parts.

The ladder should be stored in accordance with these instructions.

- Keep the ladder in a secure, clean, dry cool place.
- Hold the ladder firmly when carrying it.
- Never store materials on your ladder.
- Keep your ladder clean and free from any foreign matter.
- Clean the ladder after each use.
- Regularly check the parts and hinges of the ladder. Oil the hinges regularly, being careful not to drip oil on the rungs or side rails.
- Ladders should be stored out of direct sun light.



Swing Back Ladder Range - Specification

**GREEN
BROOK**
ELECTRICAL

Fibre Glass

- 3 Step + Tray

Part No: LAD4



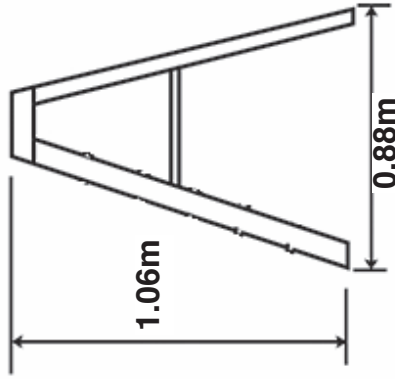
Closed Length: 1.21m

Useable Steps: 1

Weight: 6.1Kg

Max Load: 150Kg

**Max Standing height:
0.26m**



**GREEN
BROOK**
ELECTRICAL

Fibre Glass

- 4 Step + Tray

Part No: LAD5



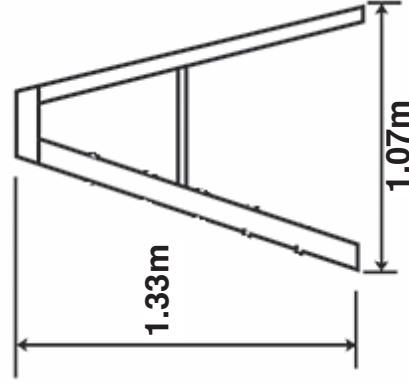
Closed Length: 1.51m

Useable Steps: 2

Weight: 7.5Kg

Max Load: 150Kg

**Max Standing height:
0.54m**



**GREEN
BROOK**
ELECTRICAL

Fibre Glass

- 5 Step + Tray

Part No: LAD6



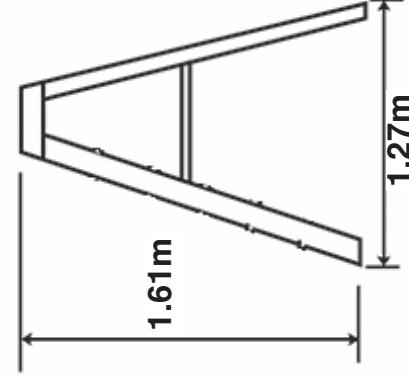
Closed Length: 1.81m

Useable Steps: 3

Weight: 8.7Kg

Max Load: 150Kg

**Max Standing height:
0.82m**



**GREEN
BROOK**
ELECTRICAL

Fibre Glass

- 6 Step + Tray

Part No: LAD7



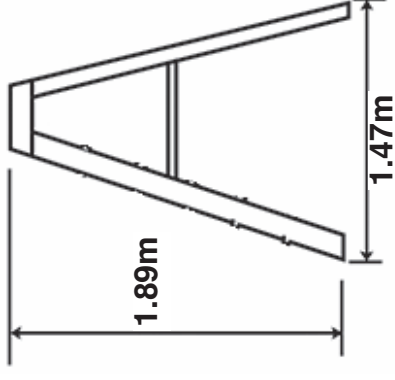
Closed Length: 2.11m

Useable Steps: 4

Weight: 10.5Kg

Max Load: 150Kg

**Max Standing height:
1.10m**



Swing Back Ladder Range - Specification

GREEN BROOK
ELECTRICAL

Fibre Glass

- 7 Step + Tray

Part No: LAD8



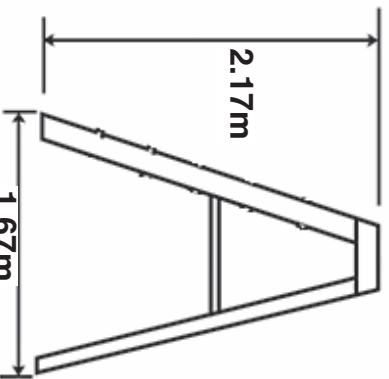
Closed Length:2.41m

Useable Steps: 5

Weight: 11.6Kg

Max Load:150Kg

Max Standing height:
1.38m



GREEN BROOK
ELECTRICAL

Fibre Glass

- 8 Step + Tray

Part No: LAD9



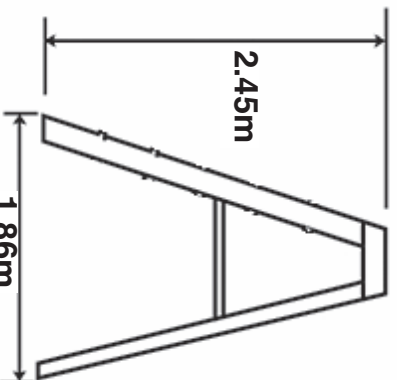
Closed Length:2.71m

Useable Steps: 6

Weight: 13.7Kg

Max Load:150Kg

Max Standing height:
1.65m



GREEN BROOK
ELECTRICAL

Fibre Glass

- 9 Step + Tray

Part No: LAD10



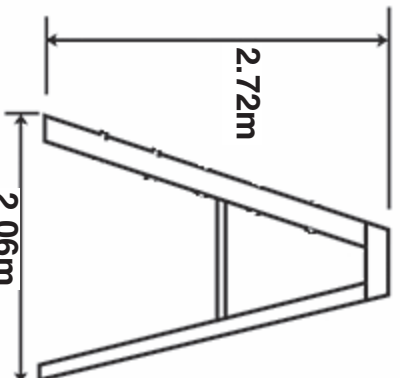
Closed Length:3.01m

Useable Steps: 7

Weight: 14.9Kg

Max Load:150Kg

Max Standing height:
1.93m



EN 131

For Professional Use Only

Platform Back Ladder Range - Specification



Platform

Fibre Glass

- 3 Step + Platform

Part No: LADP4



Closed Length: 1.74m

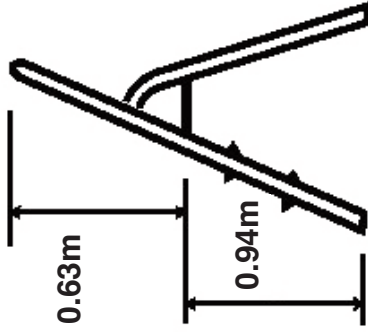
Useable Steps: 4

Weight: 8.8Kg

Max Load: 150Kg

Max Standing height:

0.94m



Platform

Fibre Glass

- 4 Step + Platform

Part No: LADP5



Closed Length: 1.99m

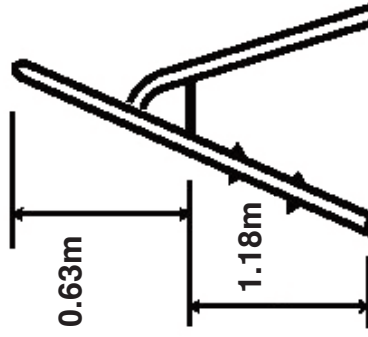
Useable Steps: 5

Weight: 9.8Kg

Max Load: 150Kg

Max Standing height:

1.18m



Platform

Fibre Glass

- 5 Step + Platform

Part No: LADP6



Closed Length: 2.24m

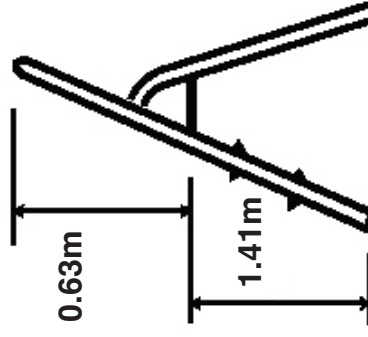
Useable Steps: 6

Weight: 11.0Kg

Max Load: 150Kg

Max Standing height:

1.41m



Platform

Fibre Glass

- 6 Step + Platform

Part No: LADP7



Closed Length: 2.49m

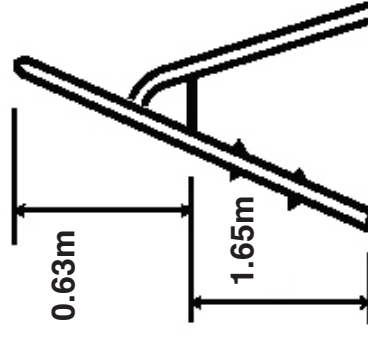
Useable Steps: 7

Weight: 13.4Kg

Max Load: 150Kg

Max Standing height:

1.65m



Platform Ladder Range - Specification

**GREEN
BROOK**
ELECTRICAL

Platform

Fibre Glass

- 7 Step + Platform

Part No: LADP8



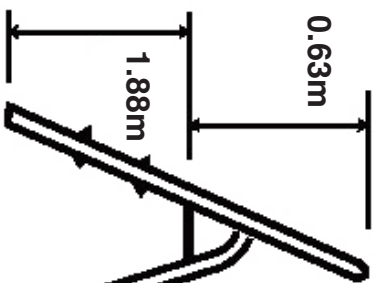
Closed Length: 2.74m

Useable Steps: 8

Weight: 14.6Kg

Max Load: 150Kg

**Max Standing height:
1.88m**



**GREEN
BROOK**
ELECTRICAL

Platform

Fibre Glass

- 8 Step + Platform

Part No: LADP9



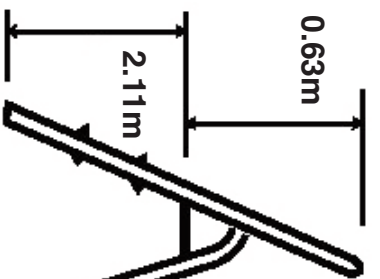
Closed Length: 2.99m

Useable Steps: 9

Weight: 15.9Kg

Max Load: 150Kg

**Max Standing height:
2.11m**



**GREEN
BROOK**
ELECTRICAL

Platform

Fibre Glass

- 9 Step + Platform

Part No: LADP10



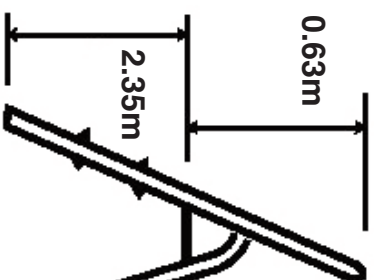
Closed Length: 3.24m

Useable Steps: 10

Weight: 17.8Kg

Max Load: 150Kg

**Max Standing height:
2.35m**



EN 131

For Professional Use Only

Storage continued:-

- The ladder should be stored in position that helps it remain straight.

Important considerations when storing your ladder (not in use) should include the following:-

- Is the ladder stored away from areas where its condition could deteriorate more rapidly (e.g. dampness, excessive heat, or exposed to the elements)?
- Is the ladder stored in a position which helps it to remain straight (e.g. hung by the stiles on proper ladder brackets or laid on a flat clutter free surface)?
- Is the ladder stored where it cannot be damaged by vehicles, heavy objects, or contaminants?
- Is the ladder stored where it cannot cause a trip hazard or an obstruction?
- Is the ladder stored securely where it cannot be easily used for criminal purposes?
- if the ladder is permanently positioned (e.g. on scaffolding), is it secured against unauthorised climbing (e.g. by children)?

For regular inspection:- Check that..

1. The stiles/legs (uprights) are not bent, bowed, twisted, dented, cracked, corroded or rotten.
2. Stiles/legs around the fixing points for other components are in good condition.
3. Fixings (usually rivets, screws or bolts) are not missing, loose or corroded.
4. Rungs/steps are not missing, loose, excessively worn, corroded or damaged.
5. The hinges between front and rear sections are not damaged, loose or corroded.
6. The locking stays horizontal, back rails and corner braces are not missing, bent, loose, corroded or damaged.
7. The rung hooks are not missing, damaged, loose or corroded and engage properly on the rungs.
8. Guide brackets are not missing, damaged, loose or corroded and engage properly on the mating stile.
9. Rubber feet end caps are not missing, loose, excessively worn, corroded or damaged.
10. The entire ladder is free from contaminants e.g dirt, mud, paint, oil or grease.
11. Locking catches (if fitted) are not damaged or corroded and function correctly.
12. The platform (if fitted) has no missing parts or fixings and is not damaged or corroded.

If any of the above checks cannot be fully satisfied, you should NOT use the ladder.

PLEASE KEEP THESE INSTRUCTIONS SAFE FOR FUTURE REFERENCE

GUARANTEE
*Your GreenBrook Ladder is
guaranteed for 1 year from the
date of purchase.
This is in addition to your statutory rights.*

GREEN BROOK WEST ROAD . HARLOW
ESSEX . CM20 2BG . UK
info@greenbrook.co.uk
ELECTRICAL www.greenbrook.co.uk