

### Model Numbers -

NV14      12W Standard model  
 NV14M    13W Microwave Presence Detector

### Model Numbers -

NV22      21W Standard model  
 NV22M    22W Microwave Presence Detector

These instructions should be carefully read before and retained after installation for future reference.

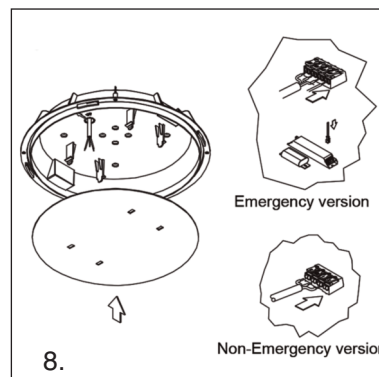
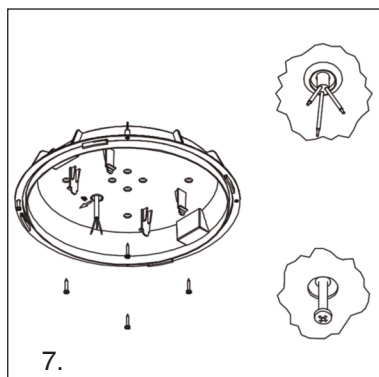
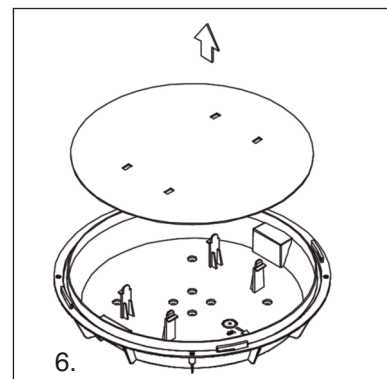
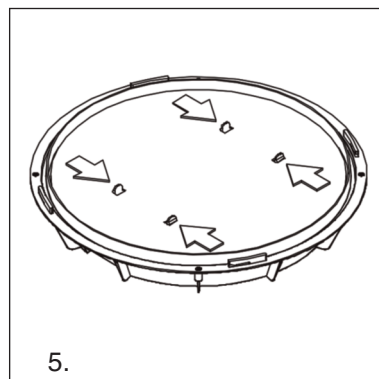
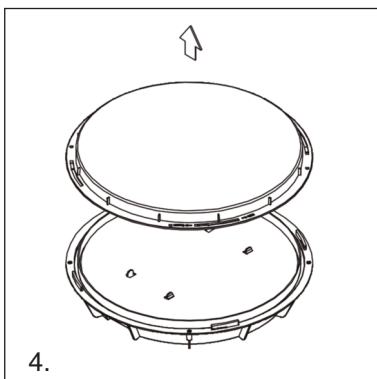
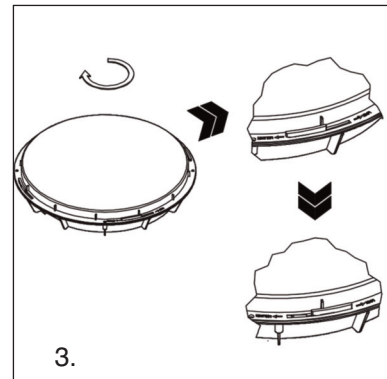
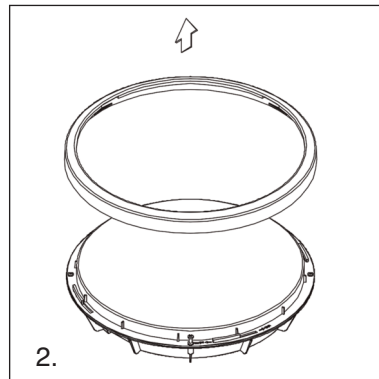
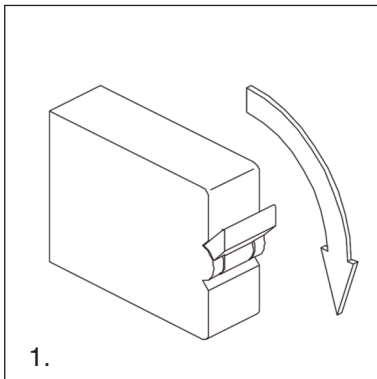
### IMPORTANT

This product should be installed by a competent person and in accordance with the current IET Wiring Regulations.  
 If in doubt, consult a qualified electrician.

### SAFETY INFORMATION

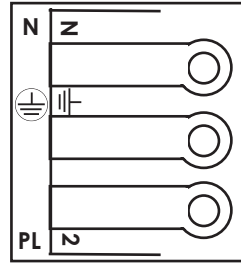
- Before installation or maintenance please ensure that the mains supply is switched off and the circuit supply fuses are removed or circuit breaker turned off.
- An IP65 rating means this fitting is suitable for outdoor applications.
- Check with your local authority for recycling advice.
- This product contains a light source of energy efficiency class A.

### INSTALLATION

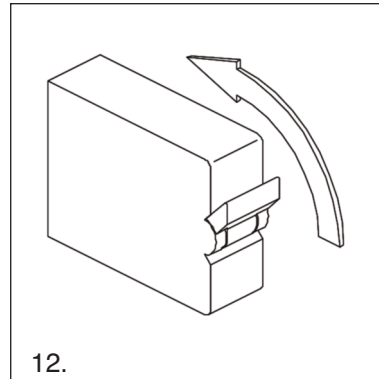
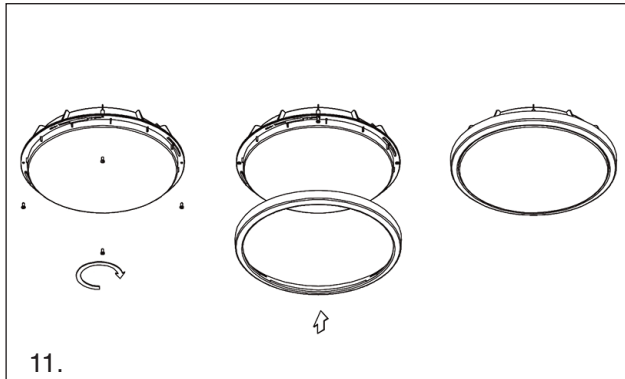
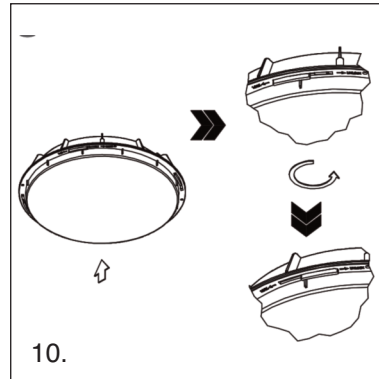
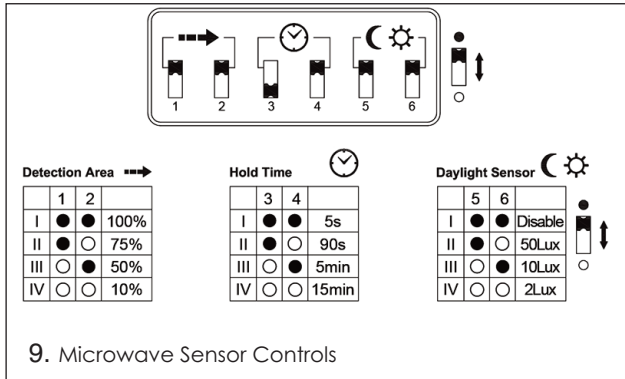


# WIRING INSTRUCTIONS / DIAGRAM

- Terminal (PL):** This is the live supply to the charging circuit and must be permanent and unswitched.  
Connect this only for non-maintained lights (SL not required).
- Terminal (E):** This is for the earth and must be connected.
- Terminal (N):** This is the neutral supply and must be permanent.
- Colour code:** Brown=Live      Blue=Neutral   Green/Yellow=Earth



Conductor Size 0.75mm<sup>2</sup> - 1.5mm<sup>2</sup> Solid or Stranded.  
Ensure that no strands of bare wire have escaped the terminals.



## TECHNICAL INFORMATION

Rated Voltage:	230V~50Hz
IP Rating:	IP65
CRI:	>80
Class Type:	II
Beam Angle:	120°
Housing:	Polycarbonate Opal diffuser & base
Operating Temp:	Min -10°C to Max +40°C
Colour Temperature:	4,000K
SDCM:	<6
Conforms To:	BS EN60598
<b>NOVA14 Range</b>	
Lumens Output:	1100 lumens
NV14	92 lm/W
NV14EM	79 lm/W
NV14M	85 lm/W
NV14EMM	73 lm/W
Dimensions:	294.8 diameter x 90mm
<b>NOVA22 Range</b>	
Lumens Output:	2200 lumens
NV22	105 lm/W
NV22EM	96 lm/W
NV22M	102 lm/W
NV22EMM	94 lm/W
Dimensions:	370.4 diameter x 90.2mm
<b>Microwave Presence Detector fittings</b>	
Lux Level:	2, 10, 50 Lux or disable
Detection Range:	10M dia x 6M high
Installation Max Height:	6 Metres
Detection Angle:	30° - 150°
Time Delay:	5 secs, 90 secs, 5 mins, 15mins

Microwave presence detectors are designed to reduce the amount of time lighting is left on unnecessarily, for example if an area is unoccupied or if there is sufficient natural light.

A presence detector monitors the detection zone for occupancy, using radio waves in the microwave band (5.8 GHz) if a person is sensed then the detector will automatically turn the lighting on. When the area is vacated, the lighting will turn off after a preset time delay. Most microwave sensors have a built in programmeable light level (lux) sensor which will keep the lighting off if there is enough natural light available. This model can also be disabled so the light will always switch On or Off regardless of light level.

**PLEASE KEEP THESE INSTRUCTIONS  
SAFE FOR FUTURE REFERENCE**

**GUARANTEE**  
Your GreenBrook IP65 Circular Bulkhead  
is guaranteed for 3 years from the date of purchase.  
This is in addition to your statutory rights.

