

Installation & Operating Instructions for 'Carina' Range IP44 Black LED Half Wall Lanterns PLLED3BN & PLLED3PIRBN (with PIR)

Please read these instructions fully prior to initial use.

Every effort has been made to ensure that the guidance information on this sheet will enable the installation of the Lantern to be carried out safely and correctly.

IMPORTANT

This product should be installed by a competent person and in accordance with the current IET Wiring Regulations. If in doubt, consult a qualified electrician.

GENERAL INFORMATION

- Never look directly into the LED light source.
- Do not install near timed light sources or in shaded areas as the PIR/ light sensor could be inadvertently triggered.
- Avoid installing near to air streams or air conditioning outlets.
- Do not cover the fitting
- Ensure that all electrical connections are secure & that there are no loose strands.
- Clean this fitting with a soft damp cloth. Do not use any chemical or abrasive cleaners.
- Do not jet wash as the lantern is not rated for high pressure jets of water
- The lantern is not dimmable
- Never attempt to repair this unit yourself, there are no user serviceable parts

INSTALLATION INSTRUCTIONS

Choose the desired position for your new lantern and before making any fixing holes check that there are no obstructions hidden beneath the mounting surface as pipes or cables. Isolate the mains supply before connecting.

1. Remove screws used to secure front cover

3. Drill holes on the points marked on the wall in Step 2. Use $\varnothing 8\text{mm}$ drill bit and insert rawl plugs.

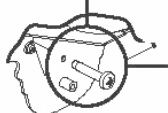
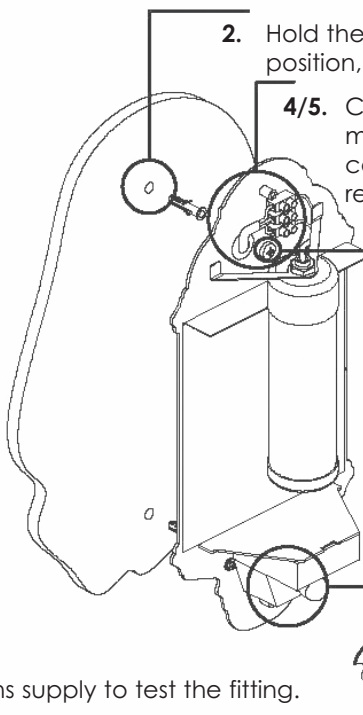
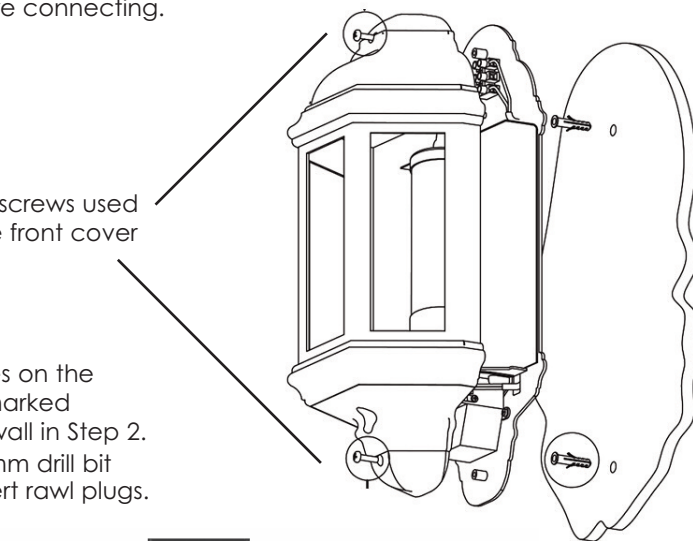
2. Hold the back cover up to the wall in the desired fixing position, mark hole positions.

- 4/5. Cut hole in rubber grommet in back cover, feed mains cable through. Connect live and neutral cables to the 3-way terminal block and then relocate the connector into the back cover.

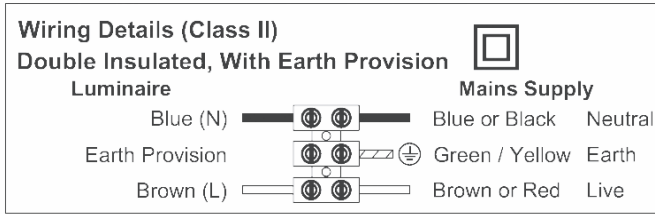
6. Secure back cover in desired position using holes drilled in Step 3. (Screws supplied)

8. Turn on mains supply to test the fitting.

7. Resecure front cover using screws removed in Step 1.



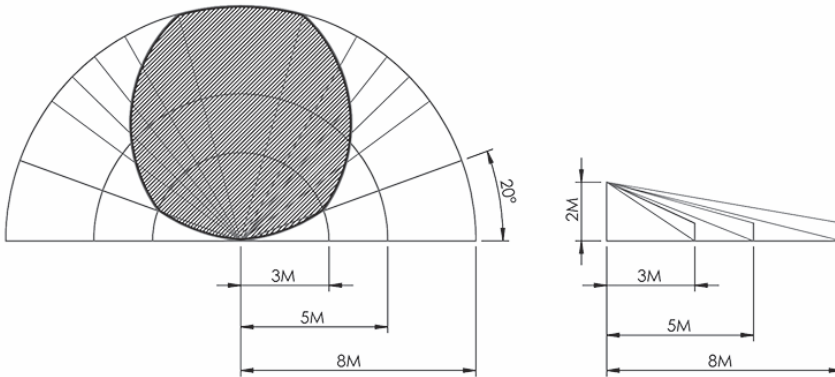
WIRING CONNECTIONS



PLLED3PIRBN PIR Version - MANUAL OVERRIDE FUNCTION

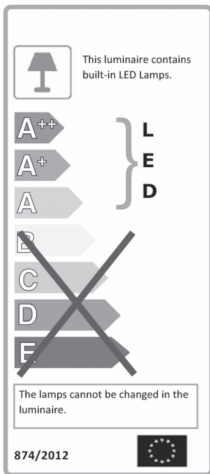
1. Turn on the light.
2. Operate the switch Off/On twice in 3 seconds.
3. The lamp will then flash 3 times to indicate that its in the 'Manual Override Status'. The lamp will then stay on.
The lamp will then remain illuminated for up to 8 hours.
4. To cancel, switch Off at the light switch and leave for 10 seconds.

PLLED3PIRBN PIR Version - DETECTION RANGE FOR PIR SENSOR



TECHNICAL INFORMATION

Power Rating:	230V/240V AC - 50Hz
Wattage:	7W
IP Rating:	IP44
Class:	Class II construction
Colour Temperature:	4000K
Lumen Output:	550 lm, 79lm/W
Installation Height:	0.5 - 3.5M
PIR Detection Angle:	120°
Ambient Light:	<10
Detection Motion Speed:	0.6 - 1.5 m/s
Detection Distance:	8M±2M
Duration Time:	40 seconds
Dimensions:	W175 x H362 x D100mm
Life span:	30,000 hours
Conforms To:	BS EN60598-2-1



EMC



GUARANTEE
 Your GreenBrook LED Half Wall Porch Lantern
 is guaranteed for 3 years from
 the date of purchase.
 This is in addition to your statutory rights.

PLEASE KEEP THESE INSTRUCTIONS SAFE FOR FUTURE REFERENCE

**GREEN
BROOK**
ELECTRICAL
 WEST ROAD . HARLOW
 ESSEX . CM20 2BG . UK
 info@greenbrook.co.uk
 www.greenbrook.co.uk

Issue no: 705208